



BRASS & BRONZE
Hinges • Handles • Accessories

Company Profile

For over three decades, Mukund Overseas has been making waves in the hardware industry, both in India and internationally.

Mukund Overseas was established in 1975 with the objective of meeting the demands of the international hardware market by offering world-class hardware products under the brand name 'Magnum'. Today, Magnum encompasses a range of products that includes extruded brass hinges, lever handles, stainless steel hinges, bronze hardware, digital security systems, finger print locks and sliding door systems. Its commitment to quality and innovation has made it the preferred choice of some of the world's top builders, architects and interior designers.

After having made a name for itself in 56 countries across the globe, notably in the USA, Europe and Japan, Magnum has forayed into the Indian market. Its range of brass builder hardware in a variety of finishes has complemented lifestyles across the country. Apart from residential applications, Magnum has also found favour in the commercial space – in prominent 5-star hotels, healthcare centres, educational institutions, shopping malls and other commercial establishments.

Magnum, over the years, has become synonymous with innovation. From German extruded brass and the latest CNC based machines that result in zero-defect products, to Mega Finish - a unique coating process that ensures all products get a smooth even finish, innovation is an essential component of every product.

Quality is something that is never compromised at Mukund Overseas. The company is ISO 9001:2000 certified. Its products conform to the stringent standards set by ANSI, USA, & European CE standards. Constant innovation and world-class quality, together with competitive pricing and an unwavering adherence to delivery schedules have helped the company earn a reputed name in the marketplace.

Mukund Overseas is a professionally managed company. It has over 250 committed employees, which include skilled engineers and talented designers. It is this depth of talent and commitment that has helped, and will continue to help the company scale new heights.

Index

Products	Pages
Brass Hinges	
Full mortise hinges	6 - 7
Railway hinges	8 - 9
Railway hinges (with washer)	8 - 9
Template hinges	10
Residential light mortise hinges	10
Security pin hinges	11
Offset hinges	11
Parliament hinges	12
Cabinet hinges	12
Light butt hinges	13
Lift off (with security stud) hinges	13
Heavy mortise (with security stud) hinges	14
Lift off hinges (with washer)	14
Lift off hinges (with ball bearing)	15
Narrow H-type hinges	15
Offset lift off hinges	16
FRC lift off hinges	16
Narrow lift off hinges	17
L-hinges	17
L-Bi fold hinges	18
W-hinges	18
Bi-fold hinges	18
Light butt cut hinges	19
Ball type hinges	20
Central ball pivot hinges	20
Side ball pivot hinges	20



Index

Products	Pages
Stainless steel 304 / 316 grade hinges	
Full mortise hinges	21 - 22
Spring loaded soft closing (single action) hinges	22
Double action on plate hinges	23
Rising and falling hinges	23
Auto roaming hinges	24
Light butt cut hinges	24
Lift off with washer hinges	25
H-type hinges	25
Security hinges with two ball bearing flat tip	26
Invisible hinges	26
Brass tower bolts	27 - 29
Stainless steel tower bolts	30
Stainless steel flush bolts	31 - 32
Brass flush bolts	33 - 34
Brass surface bolts	35 - 38
Brass door stoppers	39 - 42
Stainless steel door stoppers	43 - 45
Brass aldrops and tadi	46 - 47
Tri-shoot bolt	48
Safety latch	49
Brass door accessories	50 - 51
Brass cabin hooks	52
Brass casement stay and fastners	53 - 57
Brass lever handles	58 - 70
Brass door & window handles	71 - 75

Extrusion

Technology

- Made from solid extruded brass profiles, ensures consistency in strength, size, color and performance of the product

Mega finish

- All brass hardware passes through unique treatment and coating
- Prevents the product from tarnishing for many years and maintains original glow and shine of the product

DIY concept

- All products are furnished with stainless steel 304 / solid brass (+) head screws in respective finishes

- Ensures aesthetic aspect and also gives firm grip
- Eliminates ugly black heads of the MS screws

Customisation

- All the hardware can be furnished with different finishes –
 - Antique brass
 - Bright chrome
 - Satin nickel
 - Oil-rubbed bronze – 24K gold
 - Many more as per customer requirements

Lift-off hinges

- Are not reversible
- Made specifically for either right or left hand doors
- Selection of proper hinges to be done for right or left hand as per the usage

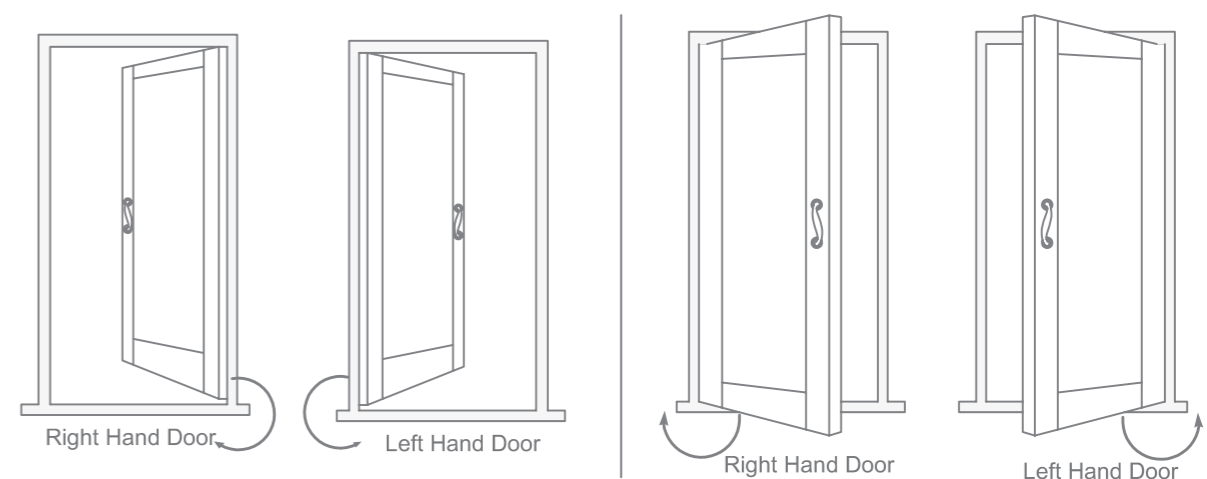
Loose pin / Removable pin hinges

- Need to be mounted in such a way that the pin can be removed from top, it cannot be removed the other way

Right hand and Left hand doors

Stand outside the door –

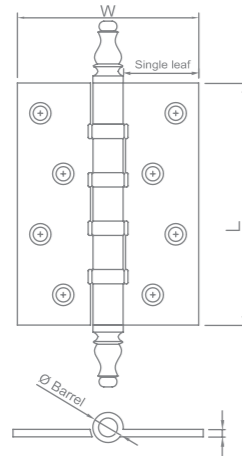
- If the door opens away from you and to your right, it will require right hand hinges
- If it opens away from you and to your left, it will require left hand hinges



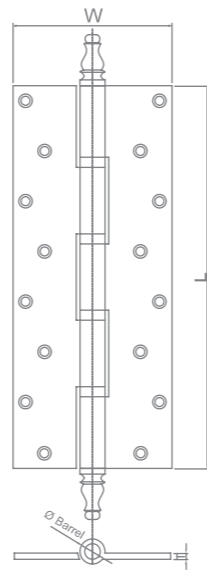
Solid extruded brass ball bearing hinges

Series - 11

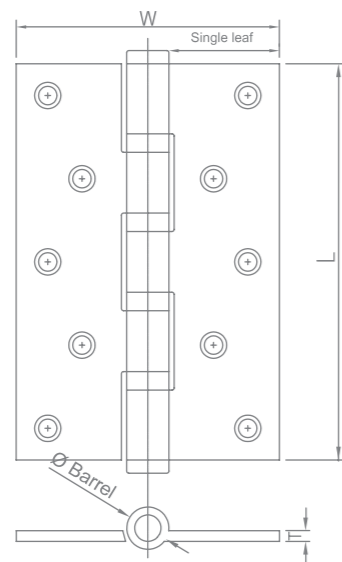
Ball bearing full mortise (Loose / Removable pin) hinges



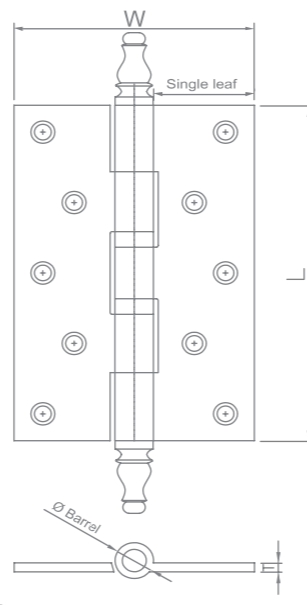
1104 FI
4" x 3" x 3 mm
4 Ball bearing Italy tip
(Polished brass)



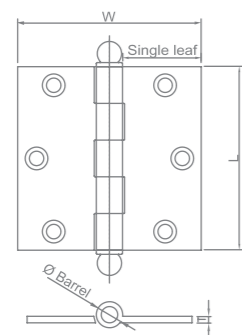
1130 FC
12" x 5" x 5 mm
4 Ball bearing Crown tip
(Polished brass)



1134 FF
8" x 7" x 5 mm
4 Ball bearing Flat tip
(Polished brass)



1126 TI
6" x 3 1/2" x 5 mm
2 center Ball bearing Italy tip
(Antique brass)



1101 NB
3" x 3" x 3 mm
No Ball bearing Ball tip
(Polished brass)



All hinges available with – no ball bearing, two ball bearings, four ball bearings

- N** No ball bearing
- T** Two centre ball bearings
- S** Two side ball bearings
- F** Four ball bearings



Solid extruded brass ball bearing hinges

Series - 11

Ball bearing full mortise (Loose / Removable pin) hinges

Code	Width of single leaf inch	mm	Size in inch full open	Size in mm with	Barrel inch	mm	Pcs per inner box	Pcs per carton
	S	S	L x W x T	L x W x T				
1100	1.00	25.40	3 x 2.1/2 x 1/8	76 x 64 x 3	1/2	12.7	10	160
1101	1.25	31.75	3 x 3 x 1/8	76 x 76 x 3	1/2	12.7	5	80
1102	1.25	31.75	3.1/2 x 3 x 1/8	89 x 76 x 3	1/2	12.7	5	80
1103	1.50	38.10	3.1/2 x 3.1/2 x 1/8	89 x 89 x 3	1/2	12.7	5	80
1104	1.25	31.75	4 x 3 x 1/8	102 x 76 x 3	1/2	12.7	5	80
1105	1.25	31.75	4 x 3 x 5/32	102 x 76 x 4	1/2	12.7	5	80
1106	1.50	38.10	4 x 3.1/2 x 1/8	102 x 89 x 3	1/2	12.7	5	80
1107	1.50	38.10	4 x 3.1/2 x 5/32	102 x 89 x 4	1/2	12.7	5	80
1108	1.75	44.65	4 x 4 x 1/8	102 x 102 x 3	1/2	12.7	5	80
1109	1.75	44.65	4 x 4 x 5/32	102 x 102 x 4	1/2	12.7	5	80
1110	1.75	44.65	4.1/2 x 4 x 1/8	114 x 102 x 3	1/2	12.7	5	80
1111	1.75	44.65	4.1/2 x 4 x 5/32	114 x 102 x 4	1/2	12.7	5	80
1112	1.99	50.65	4.1/2 x 4.1/2 x 1/8	114 x 114 x 3	1/2	12.7	5	80
1113	1.99	50.65	4.1/2 x 4.1/2 x 5/32	114 x 114 x 4	1/2	12.7	5	80
1114	1.25	31.75	5 x 3 x 1/8	127 x 76 x 3	1/2	12.7	5	80
1115	1.25	31.75	5 x 3 x 5/32	127 x 76 x 4	1/2	12.7	5	80
1116	1.50	38.10	5 x 3.1/2 x 1/8	127 x 89 x 3	1/2	12.7	5	80
1117	1.50	38.10	5 x 3.1/2 x 5/32	127 x 89 x 4	1/2	12.7	5	80
1131	1.18	30.00	5 x 3 x 3/16	127 x 76 x 5	5/8	16.0	5	40
1118	1.50	38.10	5 x 3.1/2 x 3/16	127 x 89 x 5	5/8	16.0	5	40
1119	1.75	44.65	5 x 4 x 1/8	127 x 102 x 3	1/2	12.7	5	40
1120	1.75	44.65	5 x 4 x 5/32	127 x 102 x 4	1/2	12.7	5	40
1121	1.75	44.65	5 x 4 x 3/16	127 x 102 x 5	5/8	16.0	5	40
1122	1.99	50.65	5 x 4.1/2 x 1/8	127 x 114 x 3	1/2	12.7	5	40
1123	1.99	50.65	5 x 4.1/2 x 5/32	127 x 114 x 4	1/2	12.7	2	16
1135	2.19	55.50	5 x 5 x 5/32	127 x 127 x 4	5/8	16.0	5	40
1124	2.19	55.50	5 x 5 x 3/16	127 x 127 x 5	5/8	16.0	2	16
1132	1.38	35.00	6 x 3 x 3/16	152 x 76 x 5	5/8	16.0	5	40
1126	1.45	36.50	6 x 3.1/2 x 3/16	152 x 89 x 5	5/8	16.0	5	40
1136	1.70	44.45	6 x 4 x 5/32	152 x 102 x 4	5/8	16.0	5	40
1125	1.70	44.45	6 x 4 x 3/16	152 x 102 x 5	5/8	16.0	5	40
1127	2.19	55.50	6 x 5 x 3/16	152 x 127 x 5	5/8	16.0	2	16
1133	2.70	68.58	6 x 6 x 3/16	152 x 152 x 5	5/8	16.0	2	20
1128	2.10	53.50	8 x 5 x 3/16	203 x 127 x 5	3/4	20.0	2	16
1134	3.10	78.74	8 x 7 x 3/16	203 x 178 x 5	3/4	20.0	2	16
1129	2.10	53.50	10 x 5 x 3/16	254 x 127 x 5	3/4	20.0	2	20
1130	2.10	53.50	12 x 5 x 3/16	305 x 127 x 5	3/4	20.0	2	20

- 2 bearings can be in the middle or at the ends of the barrel
- All decorative finials are interchangeable
- All hinges are supplied with standard floating pins
- Loose pin hinges can be made available on special order
- All hinges are furnished with solid brass / SS 304 wood screws in matching finishes

Performance

- Utilises advanced scientifically made ball bearings to provide total maintenance free-low friction hinges
- The vertical / lateral load bearing capacity is double than the normal hinges
- 5,00,000 opening / closing cycles tested

Recommended

- Suitable for 35 mm to 55 mm thick door of door closers
- Upto 120 kg of door weight
- Can go very well with / without all type of door closers
- Routinely used for domestic, office and commercial doors

Ball bearing technology

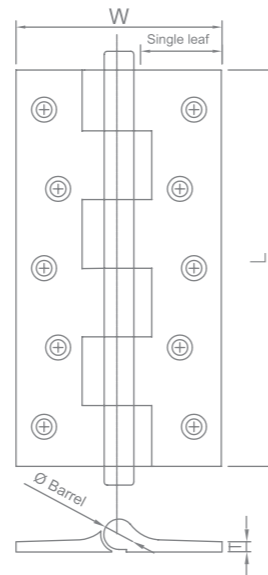
- Represents excellent combination of high performance and strength
- Made from solid extruded brass profiles
- Scientifically made stainless steel thrust ball bearings are embedded between the knuckles
- Stainless steel point loaded bearings work against smooth stainless steel washer face with permanent silicon lubricant. This comes along with stainless steel screws in machining finish for wooden doors or SS machine screws for metal doors



2801
3" x 7/8" (22 mm) x 3 mm
With Flat tip (Satin nickel)



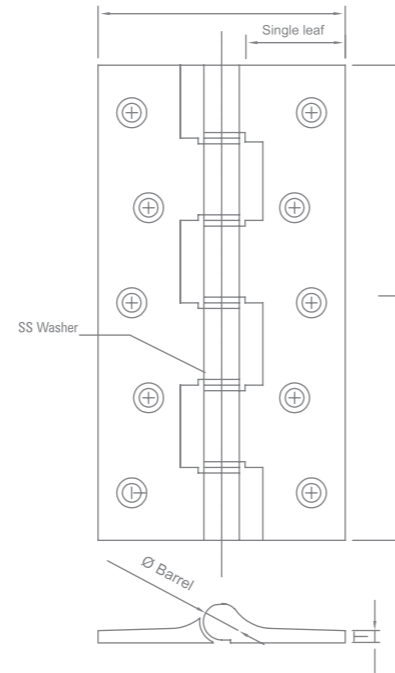
2801
3" x 7/8" (22 mm) x 3 mm
With Flat tip (Polished brass)



2801
3" x 7/8" (22 mm) x 3 mm
With Flat tip (Antique brass)



2810
5" x 1.1/8" (28 mm) x 3 mm
With washer (Polished brass)



2805
5" x 1" (25 mm) x 3 mm
With Flat tip (Polished brass)



2801
3" x 7/8" (22 mm) x 3 mm
With Flat tip (Bright chrome)

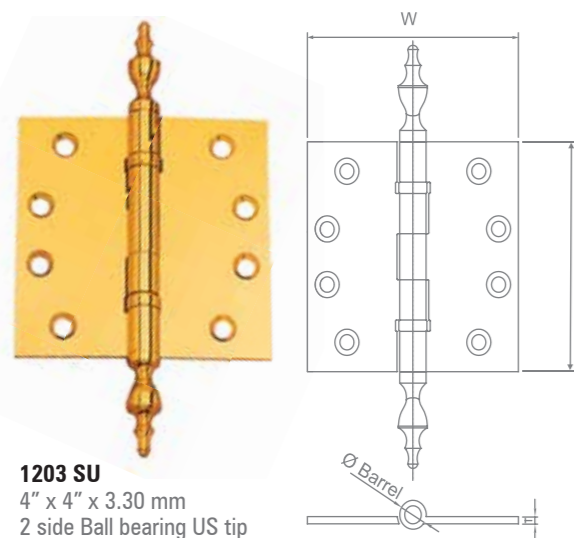
Code	Size with single leaf	Size	Size	Barrel		Pcs per inner box	Pcs per carton
	in inch	in inch	in mm	inch	mm		
	L x S x T	L x W x T	L x W x T				
2800	3 x 3/4 (19 mm) x 1/12	3 x 2 x 1/12	76 x 52 x 2	3/8	9.0	10	160
2801	3 x 7/8 (22 mm) x 1/8	3 x 2.1/4 x 1/8	76 x 57 x 3	3/8	9.0	10	160
2823	4 x 7/8 (22 mm) x 1/8	4 x 2.1/4 x 1/8	102 x 57 x 3	3/8	9.0	10	160
2826	5 x 7/8 (22 mm) x 1/8	5 x 2.1/4 x 1/8	127 x 57 x 3	3/8	9.0	10	160
2827	6 x 7/8 (22 mm) x 1/8	6 x 2.1/4 x 1/8	152 x 57 x 3	3/8	9.0	5	80
2802	3 x 1 (25 mm) x 1/8	3 x 2.1/2 x 1/8	76 x 64 x 3	3/8	9.0	10	160
2803	4 x 1 (25 mm) x 1/8	4 x 2.1/2 x 1/8	102 x 64 x 3	3/8	9.0	5	80
2804	4 x 1 (25 mm) x 5/32	4 x 2.1/2 x 5/32	102 x 64 x 4	3/8	9.0	5	80
2805	5 x 1 (25 mm) x 1/8	5 x 2.1/2 x 1/8	127 x 64 x 3	3/8	9.0	5	80
2806	5 x 1 (25 mm) x 5/32	5 x 2.1/2 x 5/32	127 x 64 x 4	3/8	9.0	5	80
2820	6 x 1 (25 mm) x 1/8	6 x 2.1/2 x 1/8	152 x 64 x 3	3/8	9.5	5	80
2828	8 x 1 (25 mm) x 1/8	8 x 2.1/2 x 1/8	203 x 64 x 3	3/8	9.5	5	40
2807	3 x 1.1/8 (28 mm) x 1/8	3 x 2.3/4 x 1/8	76 x 70 x 3	3/8	9.5	5	80
2808	4 x 1.1/8 (28 mm) x 1/8	4 x 2.3/4 x 1/8	102 x 70 x 3	3/8	9.5	5	80
2809	4 x 1.1/8 (28 mm) x 5/32	4 x 2.3/4 x 5/32	102 x 70 x 4	3/8	9.5	5	80
2810	5 x 1.1/8 (28 mm) x 1/8	5 x 2.3/4 x 1/8	127 x 70 x 3	3/8	9.5	5	80
2811	5 x 1.1/8 (28 mm) x 5/32	5 x 2.3/4 x 5/32	127 x 70 x 4	3/8	9.5	5	80
2812	6 x 1.1/8 (28 mm) x 1/8	6 x 2.3/4 x 1/8	152 x 70 x 3	3/8	9.5	5	80
2813	6 x 1.1/8 (28 mm) x 5/32	6 x 2.3/4 x 5/32	152 x 70 x 4	3/8	9.5	5	80
2814	4 x 1.1/4 (31 mm) x 1/8	4 x 3 x 1/8	102 x 76 x 3	3/8	9.5	5	80
2815	4 x 1.1/4 (31 mm) x 5/32	4 x 3 x 5/32	102 x 76 x 4	3/8	9.5	5	80
2816	5 x 1.1/4 (31 mm) x 1/8	5 x 3 x 1/8	127 x 76 x 3	3/8	9.5	5	80
2817	5 x 1.1/4 (31 mm) x 5/32	5 x 3 x 5/32	127 x 76 x 4	3/8	9.5	5	80
2818	6 x 1.1/4 (31 mm) x 5/32	6 x 3 x 5/32	152 x 76 x 4	3/8	9.5	5	80
2819	6 x 1.1/4 (31 mm) x 1/8	6 x 3 x 1/8	152 x 76 x 3	3/8	9.5	5	80
2821	5 x 1.1/2 (38 mm) x 5/32	5 x 3.1/2 x 5/32	127 x 89 x 3	3/8	9.5	5	80
2822	6 x 1.1/2 (38 mm) x 5/32	6 x 3.1/2 x 5/32	152 x 89 x 4	3/8	9.5	5	80
2824	4 x 1.1/2 (38 mm) x 1/8	4 x 3.1/2 x 1/8	102 x 89 x 3	3/8	9.5	5	80
2825	5 x 1.1/2 (38 mm) x 1/8	5 x 3.1/2 x 1/8	127 x 89 x 3	3/8	9.5	5	80
2829	8 x 2 (50 mm) x 1/8	8 x 2 x 1/8	200 x 110 x 3	3/8	9.5	5	40

- Furnished with stainless steel screws in respective finishes
- Made from solid extruded brass profiles
- Special conical design of hinge plate allows strong wall thickness at knuckle
- Provides extra strength to the butt and increases the vertical and lateral load bearing capacity of the hinge
- End caps of the knuckles eliminate the possibility of raising the central pin after length of time

Solid extruded brass hinges

Series - 12

Full mortise template hinges



1203 SU
4" x 4" x 3.30 mm
2 side Ball bearing US tip

Code	Hinges size	Hinges size	Barrel		Pcs per inner box	Pcs per carton
	in inch	in mm	inch	mm		
	L x W x T	L x W x T				
1201	3 x 3 x 0.092	76 x 76 x 2.34	1/2	12.7	2	32
1202	3.1/2 x 3.1/2 x 0.123	89 x 89 x 3.12	1/2	12.7	2	32
1203	4 x 4 x 0.130	102 x 102 x 3.30	1/2	12.7	2	32
1204	4.1/2 x 4 x 0.134	114 x 102 x 3.40	1/2	12.7	2	32
1205	4.1/2 x 4.1/2 x 0.134	114 x 114 x 3.40	1/2	12.7	2	32
1206	4.1/2 x 4.1/2 x 0.180	114 x 114 x 4.57	1/2	12.7	2	32
1207	5 x 5 x 0.146	127 x 127 x 3.71	5/8	16.0	2	32
1208	5 x 5 x 0.190	127 x 127 x 4.83	5/8	16.0	2	32

- Available with 2 or 4 ball bearings
- Available in American standard sizes
- Dimensions and screw hole patterns are as per standard sets by ANSI (American National Standards Institute)

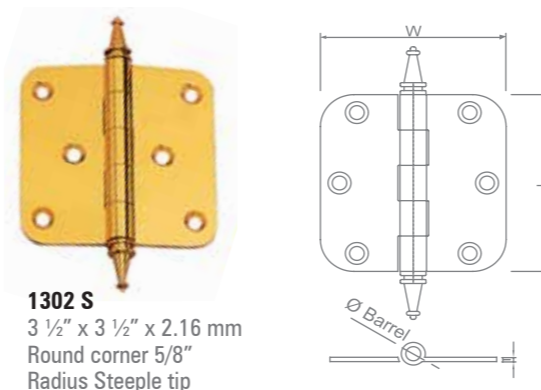
- Well-known as "template" hole pattern
- Preferred by steel doors manufacturer due to the standard hole pattern
- Easily interchangeable with old hinges of any other make
- Hassle-free installation and restoration work

Series - 13

Residential light mortise hinges

Code	Hinges size	Hinges size	Barrel		Pcs per inner box	Pcs per carton
	in inch	in mm	inch	mm		
	L x W x T	L x W x T				
1301	3 x 3 x 0.085	76 x 76 x 2.16	7/16	11.0	2	100
1302	3.1/2 x 3.1/2 x 0.085	89 x 89 x 2.16	7/16	11.0	2	100
1303	4 x 4 x 0.085	102 x 102 x 2.16	7/16	11.0	2	50
1304	4.1/2 x 4 x 0.085	114 x 102 x 2.16	7/16	11.0	2	50
1305	4.1/2 x 4.1/2 x 0.085	114 x 114 x 2.16	7/16	11.0	2	50

- Radius corners ensure faster installation on machine routed manufactured doors
- Available with 2 or 4 ball bearings
- Round corner hinges are available in 1/4" (6.35 mm) and 5/8" (15.8 mm) radius
- Hinges can be ordered as Non-Removable Pin (NRP) set screw in barrel, intercept grooved pin

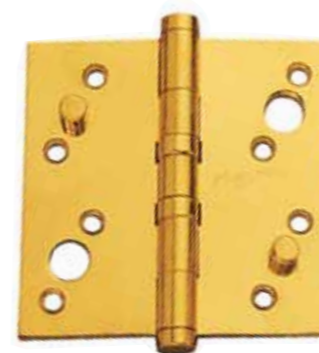


1302 S
3 1/2" x 3 1/2" x 2.16 mm
Round corner 5/8"
Radius Steeple tip

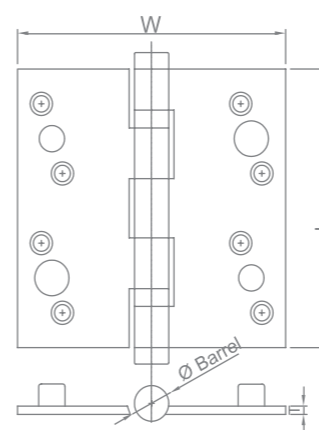
Series - 24

Solid extruded brass hinges

Security pin hinges



2403 TF
4" x 4" x 3 mm
2 Center ball bearing Flat tip



Code	Hinges size	Hinges size	Barrel		Pcs per inner box	Pcs per carton
	in inch	in mm	inch	mm		
	L x W x T	L x W x T				
2401	3 x 3 x 1/8	76 x 76 x 3	1/2	12.7	2	50
2402	3.1/2 x 3.1/2 x 1/8	89 x 89 x 3	1/2	12.7	2	50
2403	4 x 4 x 1/8	102 x 102 x 3	1/2	12.7	2	50
2404	5 x 3.1/2 x 1/8	127 x 89 x 3	1/2	12.7	2	50

When the door is closed

- The security stud on one leaf sits inside the hole in the corresponding position on the opposite leaf
- Prevents pushing of the door, even if central pin of the hinge is hammered down

Recommended when

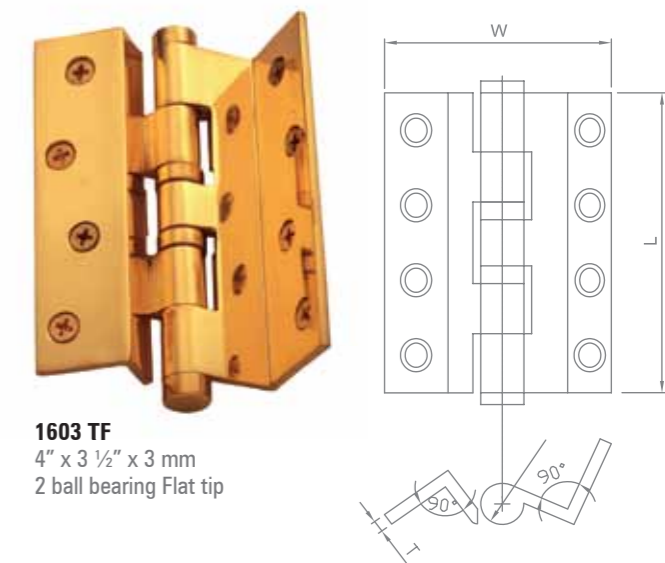
- The door opens outside, i.e. where hinge pin is exposed externally
- The doors are for high security area main doors
- Outside opening door, when high security, where door cannot be opened even if the central pin of hinge is hammered down

Series - 16

Offset hinges

Code	Hinges size	Hinges size	Barrel		Pcs per inner box	Pcs per carton
	in inch	in mm	inch	mm		
	L x W x T	L x W x T				
1601	3 x 3.1/2 x 1/8	76 x 89 x 3	1/2	12.7	2	100
1602	3.1/2 x 3.1/2 x 1/8	89 x 89 x 3	1/2	12.7	2	50
1603	4 x 3.1/2 x 1/8	102 x 89 x 3	1/2	12.7	2	50
1604	5 x 3.1/2 x 1/8	127 x 89 x 3	1/2	12.7	2	50

- Special designs of cranked hinges allow the door to open fully, clearing off the frame opening
- Also suitable for riveted type of door design
- Furnished with solid brass wood screws in respective finishes



1603 TF
4" x 3 1/2" x 3 mm
2 ball bearing Flat tip

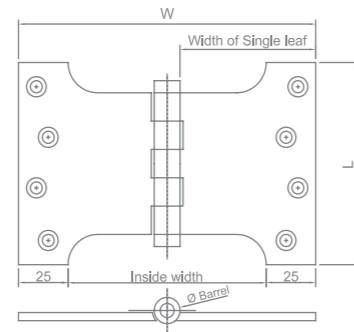
Solid extruded brass hinges

Series - 23

Parliament hinges



2303 F
4" x 6" x 4 mm
with Flat tip



Code	Width of single leaf inch	Width of single leaf mm	Size in inch	Size in mm	Barrel inch	Barrel mm	Pcs per inner box	Pcs per carton
	S	S	L x W x T	L x W x T				
2301	1.75	44.65	4 x 4 x 5/32	102 x 102 x 4	1/2	12.7	4	32
2302	2.25	57.00	4 x 5 x 5/32	102 x 127 x 4	1/2	12.7	4	32
2303	2.75	70.00	4 x 6 x 5/32	102 x 152 x 4	1/2	12.7	4	32
2304	3.75	95.15	4 x 8 x 5/32	102 x 203 x 4	1/2	12.7	4	32

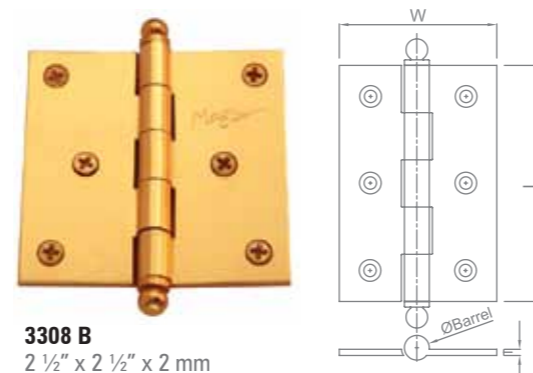
- Furnished with Flat and Italian tip
- Hinges with extra width allows a door to open fully and clear off the architrave or pillar to bring the door shutter parallel to the wall

Series - 33

Cabinet hinges

Code	Hinges size in inch	Hinges size in mm	Barrel inch	Barrel mm	Pcs per inner box	Pcs per carton
	L x W x T	L x W x T				
3301	1.1/2 x 1.1/2 x 1/12	38 x 38 x 2	5/16	8	20	320
3302	2 x 1.1/2 x 1/12	52 x 38 x 2	5/16	8	20	320
3303	2 x 1.3/4 x 1/12	52 x 44 x 2	5/16	8	20	320
3304	2 x 2 x 1/12	52 x 52 x 2	5/16	8	20	320
3305	2.1/2 x 1.1/4 x 1/12	64 x 32 x 2	5/16	8	15	225
3306	2.1/2 x 1.3/4 x 1/12	64 x 44 x 2	5/16	8	15	225
3307	2.1/2 x 2 x 1/12	64 x 52 x 2	5/16	8	15	225
3308	2.1/2 x 2.1/2 x 1/12	64 x 64 x 2	5/16	8	15	225
3309	3 x 1.3/4 x 1/12	76 x 44 x 2	5/16	8	10	160
3310	3 x 2 x 1/12	76 x 52 x 2	5/16	8	10	160
3311	3 x 2.1/2 x 1/12	76 x 64 x 2	5/16	8	10	160

- Specially made for US market
- These hinges are used in cabinets and wardrobes
- Comes with Ball, Flat and Deco tips
- Aesthetically looks beautiful with decorative tips
- In comparison to normal hinges, these have strong construction



3308 B
2 1/2" x 2 1/2" x 2 mm
with Ball tip

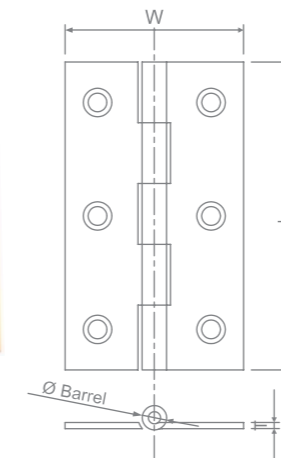
Solid extruded brass hinges

Series - 15

Light butt hinges (Fix pin)



1506
3 1/2" x 2" x 2 mm



Code	Hinges size in inch	Hinges size in mm	Barrel inch	Barrel mm	Pcs per inner box	Pcs per carton
	L x W x T	L x W x T				
1501	1 x 3/4 x 1/16	25 x 19 x 1.5	3.16	5.0	25	400
1502	1.1/2 x 3/4 x 1/16	38 x 19 x 1.5	3.16	5.0	20	320
1503	2 x 1/8 x 1/16	52 x 28 x 1.5	3.16	5.0	20	320
1504	2.1/2 x 1.3/8 x 1/16	64 x 35 x 1.5	3.16	5.0	15	225
1505	3 x 1.5/8 x 1/12	76 x 41 x 2	1/4	6.35	10	160
1506	3.1/2 x 2 x 1/2	89 x 52 x 2	1/4	6.35	10	160
1507	4 x 2.3/8 x 1/12	102 x 60 x 2	1/4	6.35	10	160

- Furnished with solid brass wood screws in respective finishes
- These hinges are mainly used for light duty doors like cabinet and windows

Series - 35

Lift off with security stud hinges (with bearing)

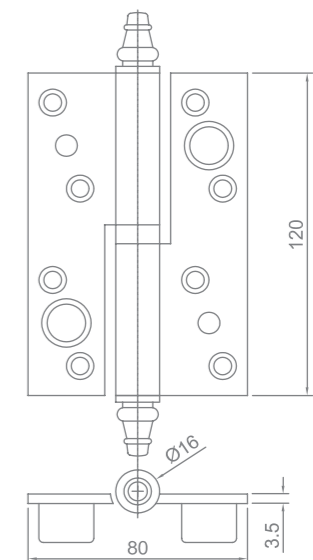
Code	Hinges size in inch	Hinges size in mm	Barrel inch	Barrel mm	Pcs per inner box	Pcs per carton
	L x W x T	L x W x T				
3501	4.3/4 x 3.1/4 x 9/64	120 x 80 x 3.5	5/8	16	2	50

- These hinges have thicker barrel dia of Ø16 mm
- Comes with security pin and lift off construction
- Includes all the advantages of ball bearing hinges and security pin
- Door can be lifted off in open position
- Ideal for heavy doors and solid wooden doors
- Also desirable if the installation requires the door to be removed frequently
- Ease for door manufacture, installation and maintenance

- These hinges are not reversible
- Kindly check the right or left hand hinges as per page 5
- The male leaf always sits on frame and female leaf on shutter
- Normally two hinges per shutter are used for easy removal of shutter



3501 S
4 3/4" x 3 1/4" x 3.5 mm
with one bearing Steeple tip



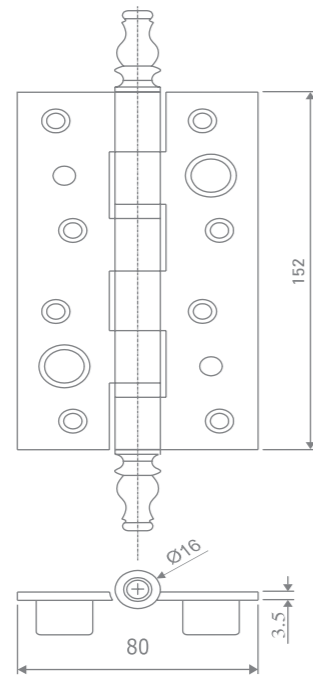
Solid extruded brass hinges

Series - 36

Heavy mortise with security stud hinges (with bearing)



3601 SI
6" x 3 1/4" x 3 mm
2 side ball bearing Italy tip



Code	Hinges size in inch	Hinges size in mm	Barrel inch	Barrel mm	Pcs per inner box	Pcs per carton
3601	6 x 3.1/4 x 1/8	152 x 80 x 3	5/8	16	2	50

- These hinges have thicker barrel of dia of Ø16 mm
- Comes with security pin
- Includes all the advantages of ball bearings hinges and security pin
- Due to its strong construction, it can be used for heavy doors and solid wooden doors

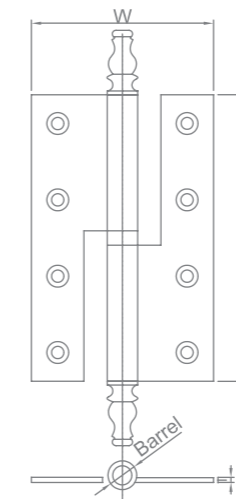
Solid extruded brass hinges

Series - 20

Lift-off hinges (with ball bearing)



2004 I
140 x 64 x 3 mm
One bearing Italy tip



Code	Hinges size in inch	Hinges size in mm	Barrel inch	Barrel mm	Pcs per inner box	Pcs per carton
2001	4.3/4 x 2.1/2 x 1/8	120 x 64 x 3	7/16	11.0	2	100
2002	4.3/4 x 3 x 1/8	120 x 76 x 3	1/2	12.7	2	100
2003	4.3/4 x 3.1/2 x 1/8	120 x 89 x 3	1/2	12.7	2	100
2004	5.1/2 x 2.1/2 x 1/8	140 x 64 x 3	7/16	11.0	2	100
2005	5.1/2 x 3 x 1/8	140 x 76 x 3	1/2	12.7	2	50
2006	5.1/2 x 3.1/2 x 1/8	140 x 89 x 3	1/2	12.7	2	50
2008	6.3/4 x 3 x 1/8	160 x 76 x 3	1/2	12.7	2	50
2009	6.3/4 x 3.1/2 x 1/8	160 x 89 x 3	1/2	12.7	2	50

- These hinges are not reversible
- Kindly check the right or left hand hinges as per page 5
- The male leaf always sits on frame and female leaf on shutter
- Normally two hinges per shutter are used for easy removal of shutter

- These hinges have lift off construction
- Comes with decorative tips and ball bearing in center
- Good for the main doors, internal doors with aesthetic look
- The bronze washer increases the load bearing capacity of hinges which also reduces the friction
- Furnished with solid brass wood screws in respective finishes

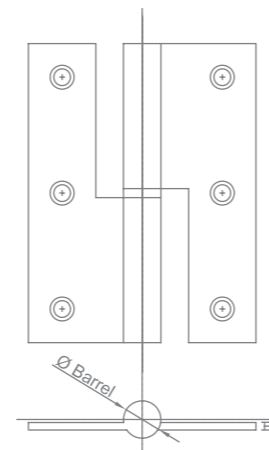
Series - 18

Lift-off hinges (with washer)

Code	Hinges size in inch	Hinges size in mm	Barrel inch	Barrel mm	Pcs per inner box	Pcs per carton
1801 W	2.1/2 x 1.7/8 x 1/12	64 x 47 x 2	7/16	11.0	20	320
1802 W	3 x 2 x 1/12	76 x 52 x 2	7/16	11.0	20	320
1803 W	3.1/2 x 2.1/4 x 1/8	89 x 57 x 3	1/2	12.7	15	225
1804 W	4 x 2.1/2 x 1/8	102 x 64 x 3	1/2	12.7	10	160
1805 W	4 x 2.3/4 x 1/8	102 x 70 x 3	1/2	12.7	2	100
1806 W	4 x 3 x 1/8	102 x 76 x 3	1/2	12.7	2	100
1807 W	5 x 3 x 1/8	127 x 76 x 3	1/2	12.7	2	100
1808 W	5 x 3.1/2 x 1/8	127 x 89 x 3	1/2	12.7	2	50
1809 W	3.1/4 x 3.1/4 x 1/8	80 x 80 x 3	9.16	14.0	2	100



1802 W
3" x 2" x 2 mm



- These hinges have lift-off construction
- In these hinges two halves are separated so that, when required, the door can be lifted off
- Good for standard doors – french windows
- Bronze washer increases the load bearing capacity of hinges which also reduces friction
- Ease for door manufacture, installation and maintenance

- These hinges are not reversible
- Kindly check the right or left hand hinges on page 5
- The male leaf always sits on frame and female leaf on shutter
- Normally two hinges per shutter are used for easy removal of shutter

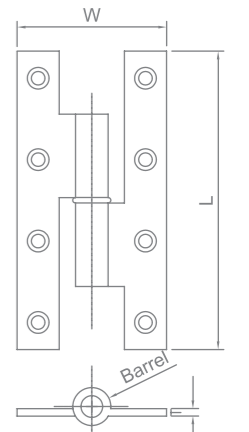
Series - 21

Narrow H - type hinges (with washer)

Code	Hinges size in inch	Hinges size in mm	Barrel inch	Barrel mm	Pcs per inner box	Pcs per carton
2101 W	3.1/2 x 2.1/8 x 1/8	90 x 55 x 3	7/16	11.0	20	320
2102 W	4 x 2.3/8 x 1/8	102 x 60 x 3	7/16	11.0	10	160
2103 W	4.3/8 x 2.1/8 x 1/8	110 x 55 x 3	7/16	11.0	10	160
2104 W	4.3/4 x 2.3/8 x 1/8	120 x 60 x 3	7/16	11.0	10	160
2105 W	5.1/2 x 2.1/8 x 1/8	140 x 55 x 3	7/16	11.0	10	160



2102 W
102 x 60 x 3 mm



- Flexibility in removal of doors from their frames
- It has lift off construction
- It also has the narrow leaves which allow it to sit on narrow width frame
- The two halves are separated so that when required, the door can be lifted off
- Ease for door manufacture, installation and maintenance
- Can be used for light doors wardrobes and windows

- These hinges are not reversible
- Kindly check the right or left hand hinges as per page 5
- The male leaf always sits on frame and female leaf on shutter
- Normally two hinges per shutter are used for easy removal of shutter

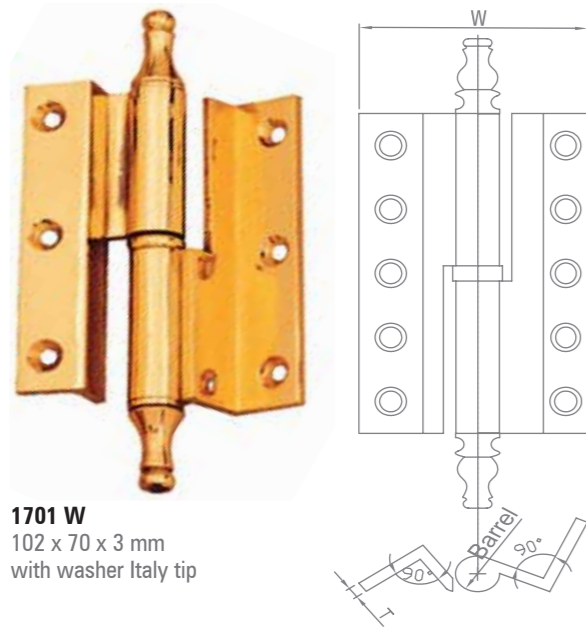
Solid extruded brass hinges

Solid extruded brass hinges



Series - 17

Offset lift off hinges (with washer / bearing)



Code	Hinges size		Barrel	Pcs per inner box	Pcs per carton
	in inch	in mm			
	L x W x T	L x W x T			
1701 W	4 x 2.3/4 x 1/8	102 x 70 x 3	7/16 11.0	2	50
1702 W	4.3/4 x 2.3/4 x 1/8	120 x 70 x 3	7/16 11.0	2	50
1703 W	4 x 3 x 5/32	102 x 76 x 4	9/16 14.0	2	50
1704 W	4.3/4 x 3 x 5/32	120 x 76 x 4	9/16 14.0	2	50
1705 W	3 x 3.1/2 x 1/8	76 x 89 x 3	1/2 12.7	2	50
1706 W	3.1/2 x 3.1/2 x 1/8	89 x 89 x 3	1/2 12.7	2	50
1707 W	4 x 3.1/2 x 1/8	102 x 89 x 3	1/2 12.7	2	50
1708 W	5 x 3.1/2 x 1/8	127 x 89 x 3	1/2 12.7	2	72

- It has lift off construction with offset design
- Two halves separate so that when opened, the door can be lifted off
- Special design of offset hinge allows the door to open fully clearing off the frame opening
- This is also suitable for riveted type of door design
- Ease for door manufacture, installation and maintenance

- These hinges are not reversible
- Kindly check the right or left hand hinges as per page 5
- The male leaf always sits on frame and female leaf on shutter
- Normally two hinges per shutter are used for easy removal of shutter

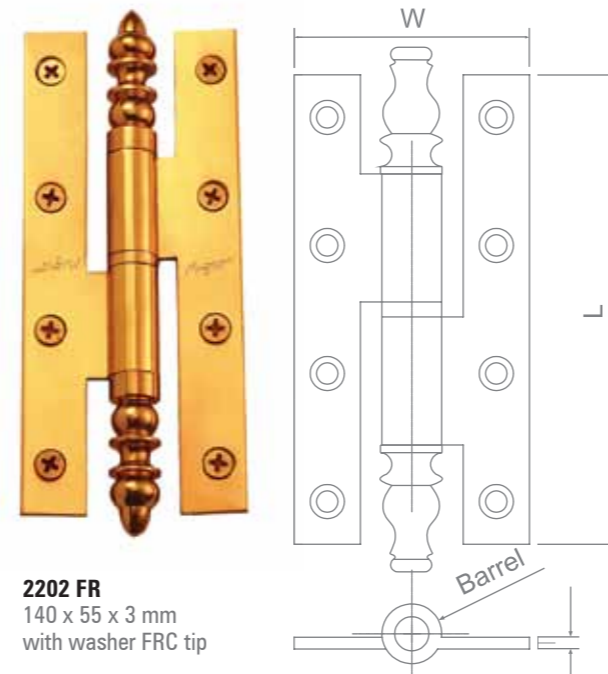
Series - 22

FRC lift off hinges (with washer)

Code	Hinges size		Barrel	Pcs per inner box	Pcs per carton
	in inch	in mm			
	L x W x T	L x W x T			
2201	4.3/8 x 2.1/8 x 1/8	110 x 55 x 3	9/16 14	10	160
2202	5.1/2 x 2.1/8 x 1/8	140 x 55 x 3	9/16 14	10	160
2203	6.3/4 x 2.1/8 x 1/8	160 x 55 x 3	9/16 14	10	160

- They have the lift off construction
- It also has a bigger barrel dia of Ø14 mm
- It can be used on heavy doors, french windows, internal doors and main doors
- Beautiful long decorative finials enhance the aesthetic look of the hinges and gives extra strength
- The two halves separate so that when opened, the door can be lifted off

- These hinges are not reversible
- Kindly check the right or left hand hinges as per page 5
- The male leaf always sits on frame and female leaf on shutter
- Normally two hinges per shutter are used for easy removal of shutter



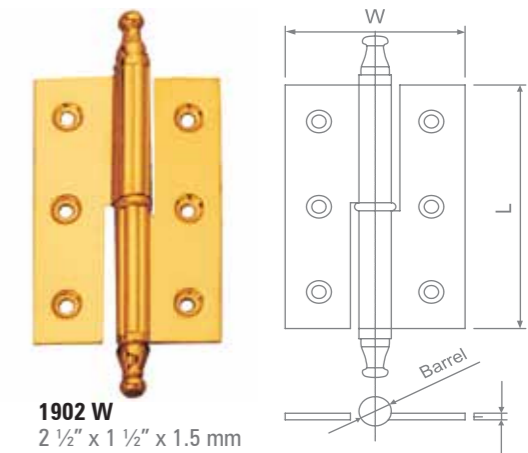
2202 FR
140 x 55 x 3 mm
with washer FRC tip

Series - 19

Narrow lift-off hinges (with washer)

Code	Hinges size		Barrel	Pcs per inner box	Pcs per carton
	in inch	in mm			
	L x W x T	L x W x T			
1901 W	2 x 1.1/2 x 1/16	52 x 38 x 1.5	13/32 10.0	20	320
1902 W	2.1/2 x 1.1/2 x 1/16	64 x 38 x 1.5	13/32 10.0	20	320
1903 W	3 x 1.1/2 x 1/16	76 x 38 x 1.5	13/32 10.0	20	320
1904 W	3.1/2 x 1.1/2 x 1/16	89 x 38 x 1.5	13/32 10.0	15	225
1905 W	4 x 1.1/2 x 1/16	102 x 38 x 1.5	13/32 10.0	10	160
1906 W	4 x 2.3/4 x 1/8	102 x 70 x 3	1/2 12.7	10	160

- These hinges have the lift-off construction
- Contains narrow leaves and is mainly used for furniture door cabinets
- Comprises of beautiful finials which enhance the aesthetic value of furniture
- Goes very well with colonial style of furniture
- Normally two hinges per shutter are used for easy removal of shutter
- Furnished with solid brass screws in respective finishes

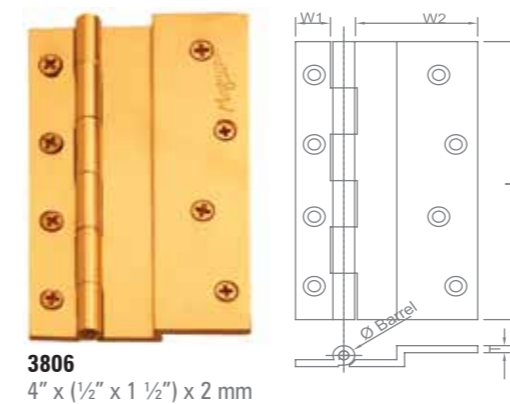


1902 W
2 1/2" x 1 1/2" x 1.5 mm

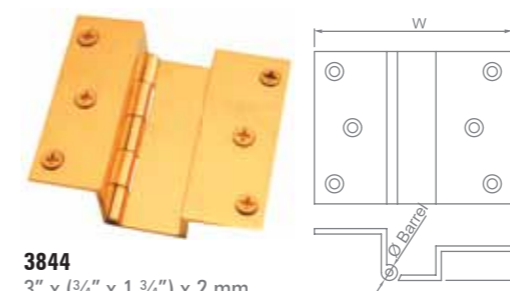
- These hinges are not reversible
- Kindly check the right or left hand hinges as per page 5
- The male leaf always sits on frame and female leaf on shutter

Series - 38

L - hinges



3806
4" x (1/2" x 1 1/2") x 2 mm



3844
3" x (3/4" x 1 3/4") x 2 mm

- These are special design off-set type fixed pin butt hinges
- Comes in various height of offset
- These hinges are mainly used for the kitchen cabinets
- The different sizes of two halves allow it to sit on narrow frame and wide shutters
- It opens at 180° angle, allows the door to open fully for utilisation of 100% cabinet space

Code	Size		Barrel	Pcs per inner box	Pcs per carton
	in inch	in mm			
	L x (w1 x w2) x T	L x (w1 x w2) x T	B	B	
1/4" (6 mm) Offset angle					
3801	3 x (3/8 x 1.1/4) x 3/32	76 x (9 x 31) x 2	9/32 7	24	384
3802	3 x (3/8 x 1.1/2) x 3/32	76 x (9 x 38) x 2	9/32 7	24	384
3805	4 x (3/8 x 1.1/2) x 3/32	102 x (9 x 38) x 2	9/32 7	24	384
3803	3 x (1/2 x 1.1/2) x 3/32	76 x (12 x 38) x 2	9/32 7	24	384
3806	4 x (1/2 x 1.1/2) x 3/32	102 x (12 x 38) x 2	9/32 7	24	384
3804	3 x (3/4 x 1.3/4) x 3/32	76 x (19 x 44) x 2	9/32 7	24	384
3807	4 x (3/4 x 1.3/4) x 3/32	102 x (19 x 44) x 2	9/32 7	24	384
3808	3 x (1 x 2) x 3/32	6 x (25 x 102) x 2	9/32 7	24	384
3809	4 x (1 x 2) x 3/32	102 x (25 x 102) x 2	9/32 7	24	384

1/2" (12 mm) Offset angle					
	3 x (3/8 x 1.1/4) x 3/32	76 x (9 x 31) x 2	9/32 7	24	384
3821	3 x (1/2 x 1.1/2) x 3/32	76 x (12 x 38) x 2	9/32 7	24	384
3822	4 x (1/2 x 1.1/2) x 3/32	102 x (12 x 38) x 2	9/32 7	24	384
3823	3 x (3/4 x 1.3/4) x 3/32	76 x (19 x 44) x 2	9/32 7	24	384
3824	4 x (3/4 x 1.3/4) x 3/32	102 x (19 x 44) x 2	9/32 7	24	384

3/4" (19 mm) Offset angle					
3841	3 x (3/8 x 1.1/4) x 3/32	76 x (9 x 31) x 2	9/32 7	24	384
3842	3 x (1/2 x 1.1/2) x 3/32	76 x (12 x 38) x 2	9/32 7	24	384
3843	4 x (1/2 x 1.1/2) x 3/32	102 x (12 x 38) x 2	9/32 7	24	384
3844	3 x (3/4 x 1.3/4) x 3/32	76 x (19 x 44) x 2	9/32 7	24	384
3845	4 x (3/4 x 1.3/4) x 3/32	102 x (19 x 44) x 2	9/32 7	24	384
3846	3 x (1 x 2) x 3/32	76 x (25 x 102) x 2	9/32 7	24	384
3847	4 x (1 x 2) x 3/32	102 x (25 x 102) x 2	9/32 7	24	384

1" (25 mm) Offset angle					
3861	3 x (1/2 x 1.1/2) x 3/32	76 x (12 x 38) x 2	9/32 7	24	384
3862	4 x (1/2 x 1.1/2) x 3/32	102 x (12 x 38) x 2	9/32 7	24	384
3863	3 x (3/4 x 1.3/4) x 3/32	76 x (19 x 44) x 2	9/32 7	24	384
3864	4 x (3/4 x 1.3/4) x 3/32	102 x (19 x 44) x 2	9/32 7	24	384
3865	3 x (1 x 2) x 3/32	76 x (25 x 102) x 2	9/32 7	24	384
3866	4 x (1 x 2) x 3/32	102 x (25 x 102) x 2	9/32 7	24	384

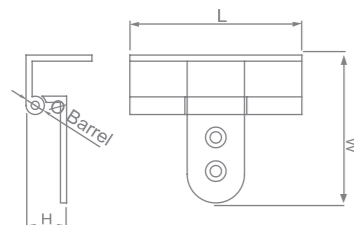
Solid extruded brass hinges

Series - 38

L - bi fold hinges



3891
3" x 2 1/2" x 3 mm



Code	Size in inch	Size in mm	Barrel inch	Barrel mm	Pcs per inner box	Pcs per carton
3891	3 x 2.1/2 x 1/8	76 x 64 x 3	5/16	8	10	160

- Includes all the advantages of Series 38 L - hinges
- In addition, this hinge has an advantage that it can be fixed directly on to the surface without the need to cut a recess
- Ideal for faster installation in furniture factory and in workshop
- To be used on light furniture shutter, kitchen cabinets and wardrobes

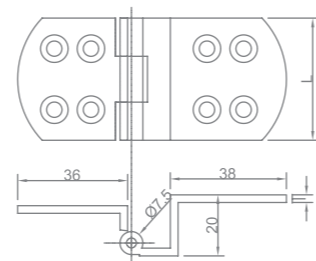
Series - 39

W - hinges

Code	Size in inch	Size in mm	Barrel inch	Barrel mm	Pcs per inner box	Pcs per carton
3901	3.1/2 x 1.3/4 x 1/8	89 x 44 x 3	9/32	7	10	160
3902	4 x 1.3/4 x 1/8	102 x 44 x 3	9/32	7	10	160
W - big hinges						
3910	3.1/2 x 1.3/4 x 1/8	89 x 44 x 3	9/32	7	10	160
3911	4 x 1.3/4 x 1/8	102 x 44 x 3	9/32	7	10	160



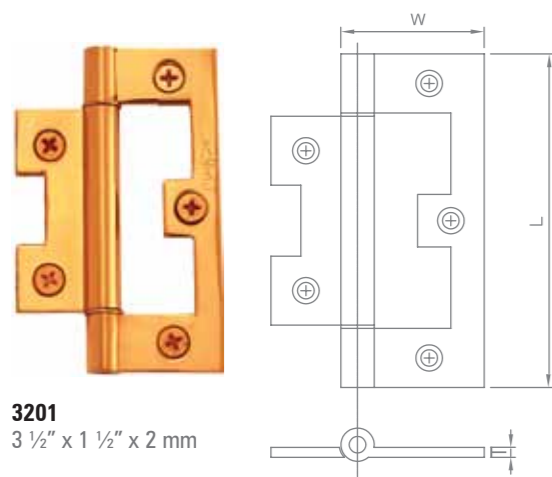
3901
3 1/2" x 1 3/4" x 3 mm



- Furnished with solid brass wood screws in respective finishes
- Includes all advantages of Series 38 L - hinges
- Radius length ensure faster installation on machine routed manufactured furniture and kitchen cabinets

Series - 32

Bi - fold hinges



3201
3 1/2" x 1 1/2" x 2 mm

Code	Hinges size in inch	Hinges size in mm	Barrel inch	Barrel mm	Pcs per inner box	Pcs per Carton
3201	3.1/2 x 1.1/2 x 3/32	89 x 38 x 2	13/32	10.0	10	160
3202	4 x 1.1/2 x 3/32	102 x 38 x 2	13/32	10.0	10	160

- Specially designed for faster installation
- Can be fixed directly on the surface without the need to cut a recess
- Does not require chiseling of wood as the outer leaf
- Also useful where the wood thickness is not enough to chisel out
- Ideal to use on light shutters
- Economical and faster installation in furniture and kitchen cabinet factory

Solid extruded brass hinges

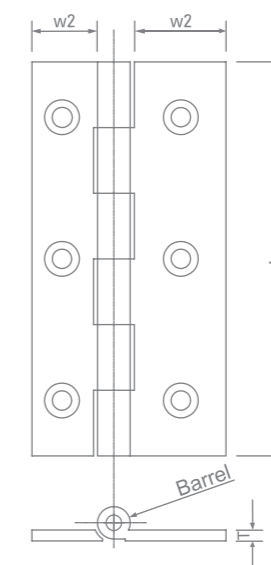
Series - 37

Light butt cut hinges

Code	Size in inch	Size in mm	Barrel inch	Barrel mm	Pcs per inner box	Pcs per carton
3701	3 x 3/8 x 5/8 x 3/32	76 x 9 x 16 x 2	1/4	6.35	24	384
3702	3 x 3/8 x 3/4 x 3/32	76 x 9 x 19 x 2	1/4	6.35	24	384
3703	3 x 3/8 x 1 x 3/32	76 x 9 x 25 x 2	1/4	6.35	24	384
3704	3 x 1/2 x 3/4 x 3/32	76 x 12 x 19 x 2	1/4	6.35	24	384
3705	3 x 1/2 x 1 x 3/32	76 x 12 x 25 x 2	1/4	6.35	24	384
3706	3 x 1/2 x 1.1/2 x 3/32	76 x 12 x 38 x 2	1/4	6.35	24	384
3707	3 x 3/4 x 3/4 x 3/32	76 x 19 x 19 x 2	1/4	6.35	24	384
3708	3 x 3/4 x 1 x 3/32	76 x 19 x 25 x 2	1/4	6.35	24	384
3709	3 x 3/4 x 1.1/2 x 3/32	76 x 19 x 38 x 2	1/4	6.35	24	384
3710	3 x 7/8 x 7/8 x 3/32	76 x 22 x 22 x 2	1/4	6.35	24	400
3711	4 x 3/8 x 3/4 x 3/32	102 x 9 x 19 x 2	1/4	6.35	20	320
3712	4 x 3/8 x 1 x 3/32	102 x 9 x 25 x 2	1/4	6.35	20	320
3713	4 x 1/2 x 3/4 x 3/32	102 x 12 x 19 x 2	1/4	6.35	20	320
3714	4 x 1/2 x 1 x 3/32	102 x 12 x 25 x 2	1/4	6.35	20	320
3715	4 x 1/2 x 1.1/2 x 3/32	102 x 12 x 38 x 2	1/4	6.35	20	320
3716	4 x 3/4 x 3/4 x 3/32	102 x 19 x 19 x 2	1/4	6.35	20	320
3717	4 x 3/4 x 1 x 3/32	102 x 19 x 25 x 2	1/4	6.35	20	320
3718	4 x 3/4 x 1.1/2 x 3/32	102 x 19 x 38 x 2	1/4	6.35	20	320
3721	3 x 1 x 1 x 3/32	76 x 25 x 25 x 2	1/4	6.35	20	320
3722	4 x 1 x 1 x 3/32	102 x 25 x 25 x 2	1/4	6.35	20	320



3721
3" x 1" x 1" x 2 mm



3704
3" x 1/2" x 3/4" x 2 mm

- These hinges have different width of two halves to allow it to fit on narrow frame and wide shutter
- The two end caps eliminate the possibility of central pin falling-off

Advantages

- Complete construction of hinge is rust free
- Can be used in kitchen area like kitchen cabinets and wardrobes

Solid extruded brass hinges

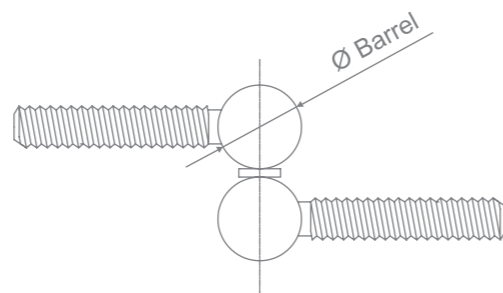
Stainless steel hinges, Grade 304



Series - 31

Ball type screw hinges

Code	Barrel		Pcs per inner box	Pcs per carton
	inch	mm		
3101	1/2	12.7	10	160
3102	5/8	16.0	15	225
3103	3/4	19.0	20	320



- Special design ensures quick installation
- No chiseling of wood and no fastening the screws
- Ball structure gives aesthetic look to the furniture
- Ideal to use on light shutters
- Economical and faster installation in furniture and kitchen cabinet factory
- Being fitted on the frame surface

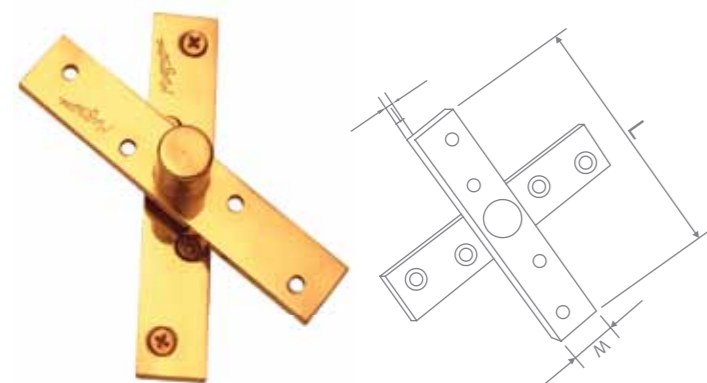
Series - 91

Ball bearing flat tip : Full mortise

Code	Hinges size		Width of single leaf	Barrel		Pcs in inner box	Pcs in carton	
	in inch	in mm		inch	mm			
	L x W x T	L x W x T						
9100	3 x 2.1/2 x 2.5 mm	76 x 64 x 2.5	1.00	25	7/16	12	5	80
9106	3 x 3 x 3 mm	76 x 76 x 3	1.25	31	9/16	14	5	80
9107	3.1/2 x 3.1/2 x 3 mm	89 x 89 x 3	1.50	38	9/16	14	5	80
9109	4 x 3 x 3 mm	102 x 76 x 3	1.25	32	9/16	14	5	80
9110	4 x 3.1/2 x 3 mm	102 x 89 x 3	1.50	38	9/16	14	5	80
9111	4 x 4 x 3 mm	102 x 102 x 3	1.75	44	9/16	14	5	80
9113	4.1/2 x 4 x 3 mm	114 x 102 x 3	1.75	44	9/16	14	5	80
9115	4.1/2 x 4 x 3.4 mm	114 x 102 x 3.4	1.75	44	9/16	14	5	80
9118	5 x 3 x 3 mm	127 x 76 x 3	1.25	32	9/16	14	5	80
9116	5 x 3.1/2 x 3 mm	127 x 89 x 3	1.50	38	9/16	14	5	80
9120	5 x 5 x 3 mm	127 x 127 x 3	2.25	57	9/16	14	5	80
9125	6 x 3.1/2 x 4 mm	152 x 89 x 4	1.50	38	5/8	16	5	40
9126	6 x 4 x 4 mm	152 x 102 x 4	1.75	44	5/8	16	5	40
9127	6 x 4.5 x 4 mm	152 x 114 x 4	1.75	44	5/8	16	5	40

Series - 25

Central ball pivot hinges



2504
4" x 1" x 4 mm

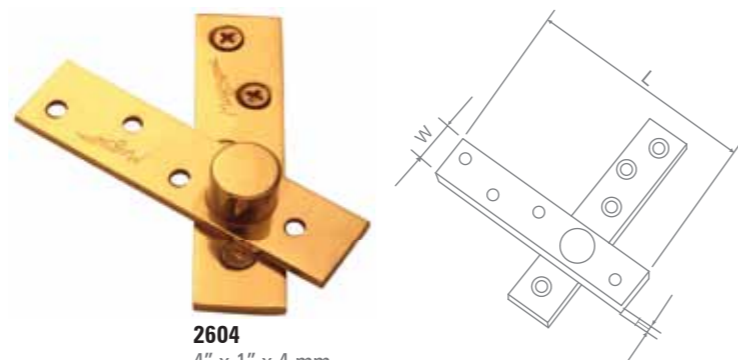
Code	Hinges size		Pcs per inner box	Pcs per carton
	in inch	in mm		
	L x W x T	L x W x T		
2501	2 x 3/4 x 1/8	52 x 19 x 3	10	160
2502	2.1/2 x 3/4 x 1/8	64 x 19 x 3	10	160
2503	3 x 3/4 x 1/8	76 x 19 x 3	10	160
2504	4 x 1 x 5/32	102 x 25 x 4	5	100
2505	6 x 1 x 5/32	152 x 25 x 4	5	100

- Furnished with solid brass wood screws in respective finishes
- Pivot hinges can be used for overlay doors, recessed doors or flush doors
- Primary advantage of the pivot hinge is that it requires no door frame for mounting

Series - 26

Side ball pivot hinges

Code	Hinges size		Pcs per inner box	Pcs per carton
	in inch	in mm		
	L x W x T	L x W x T		
2601	2 x 3/4 x 1/8	52 x 19 x 3	10	160
2602	2.1/2 x 3/4 x 1/8	64 x 19 x 3	10	160
2603	3 x 3/4 x 1/8	76 x 19 x 3	10	160
2604	4 x 1 x 5/32	102 x 25 x 4	5	100
2605	6 x 1 x 5/32	152 x 25 x 4	5	100



- Pivot hinges can be used for overlay doors, recessed doors or flush doors
- Primary advantage of the pivot hinge is that it requires no door frame for mounting



Magnum technology: Stainless steel grade ASIS 304/316 hinges (with Ball bearings)

- Magnum stainless steel hinges are rolled from "First prime quality" of stainless steel ASIS grade 304
- All accessories like central pin, tips, screws are made of stainless steel grade 304
- Scientifically made stainless steel thrust ball bearings are embedded between the knuckles
- Stainless steel point loaded bearings working against smooth stainless steel washer face with permanent silicon lubricant comes along with stainless steel screws in machining finish for wooden doors or SS machine screws for metal doors

Performance

- Scientifically advanced ball bearings provide total maintenance free-low friction hinge action
- The vertical / lateral load bearing capacity is double than the normal hinges
- 500000 opening / closing cycles tested

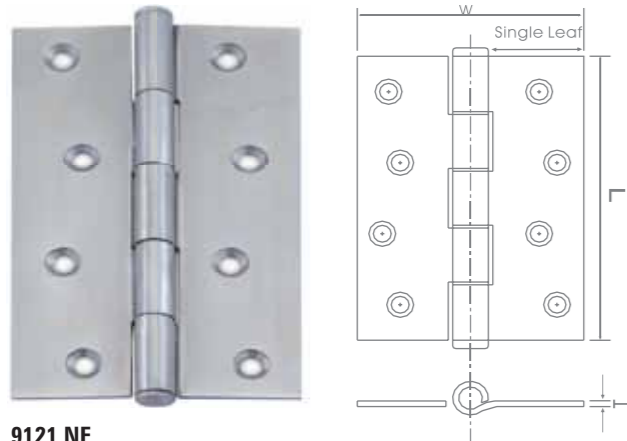
Recommended

- Door weight is upto 120 kgs
- Can go well with or without all types of door closers
- Suitable for 35 mm to 55 mm thick door
- Upto 120 kgs of door weight
- Routinely used in domestic, offices and commercial doors

Stainless steel hinges, Grade 304

Series - 91

Without bearing flat tip : Full mortise



9121 NF
4" x 2 1/2" x 2.5 mm
Without bearing Flat tip

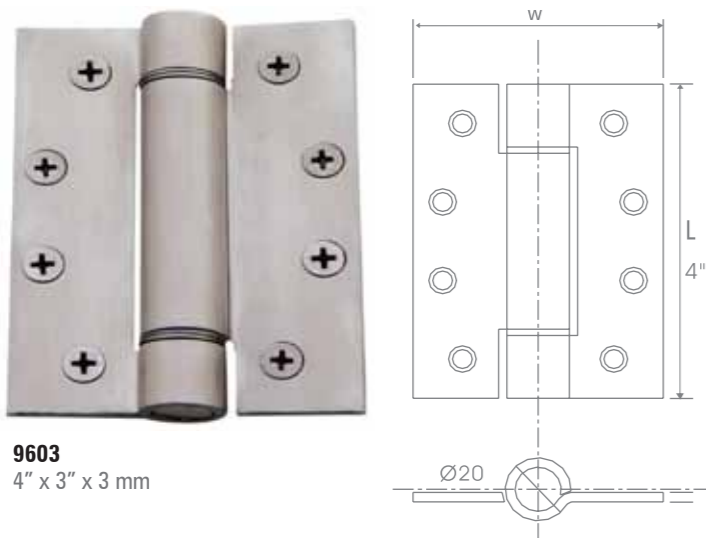
- Magnum stainless steel hinges are rolled from "First prime quality" stainless steel 304 sheets
- Magnum stainless steel hinges are fitted with standard fixed finials
- Magnum stainless steel hinges are furnished with stainless steel 304 screws
- Magnum stainless steel hinges come with matt finish
- Also available in SS-316
- Widely used non ball bearing hinges
- Two ends are locked with tips. So that pin does not rise with constant use
- Available in various sizes
- Ideal for exterior and bathroom doors
- Best choice for commercial projects used on main door, and internal doors

Code	Hinges size in inch	Hinges size in mm	Width of single leaf inch	mm	Barrel inch	mm	Pcs in inner box	Pcs in carton
	L x W x T	L x W x T						
9103 NF	3 x 2 x 2 mm	76 x 52 x 2	0.75	20	7/16	12	12	120
9104 NF	3 x 2.1/2 x 2 mm	76 x 64 x 2	1.00	21	7/16	12	12	120
9117 NF	4 x 3 x 2 mm	102 x 76 x 2	1.25	31	7/16	12	12	120
9122 NF	4 x 3 x 2.5 mm	102 x 76 x 2.5	1.25	31	9/16	14	12	120
9121 NF	4 x 2.1/2 x 2.5 mm	102 x 64 x 2.5	1.00	25	9/16	14	12	120
9123 NF	5 x 2.1/2 x 2.5 mm	127 x 64 x 2.5	1.00	25	9/16	14	12	120
9124 NF	5 x 3 x 2.5 mm	127 x 76 x 2.5	1.25	31	9/16	14	12	120

Series - 96

Spring loaded self closing (single action)

Code	Hinges size in inch	Hinges size in mm	Width of single leaf inch	mm	Barrel inch	mm	Pcs in inner box	Pcs in carton
	L x W x T	L x W x T						
9603	4 x 3 x 3 mm	102 x 76 x 3	1.1	28	3/4	19	5	80
9604	5 x 3 x 3 mm	127 x 76 x 3	1.1	28	3/4	19	5	80



9603
4" x 3" x 3 mm

- Built in mechanism that closes the door after each opening
- Unique easy adjustable tension feature
- Tightening / loosening just by the external LN key
- Adjustable closing speed of the door at four different speeds
- Light frequent area door, need to install only one spring hinge in the center and normal hinges on top and bottom
- Screw hole pattern conforms to ANSI specification
- Non handed suitable for left and right hand doors
- Useful where door closer cannot be installed
- Minimise the cost
- Increases the aesthetic look
- Can also be fitted easily on the existing doors
- Ideal to use on bathroom and internal doors to save the Aircon energy

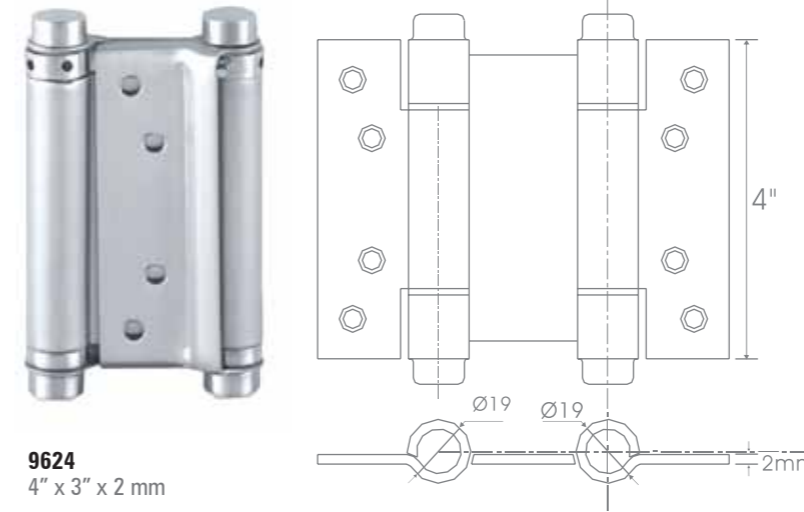
Stainless steel hinges, Grade 304



Series - 96

Double action on plate

Code	Hinges size in inch	Hinges size in mm	Width of single leaf inch	mm	Barrel inch	mm	Pcs in inner box	Pcs in carton
	L x W x T	L x W x T						
9624	4 x 3 x 2 mm	102 x 76 x 2	12	5	3/4	19	5	50

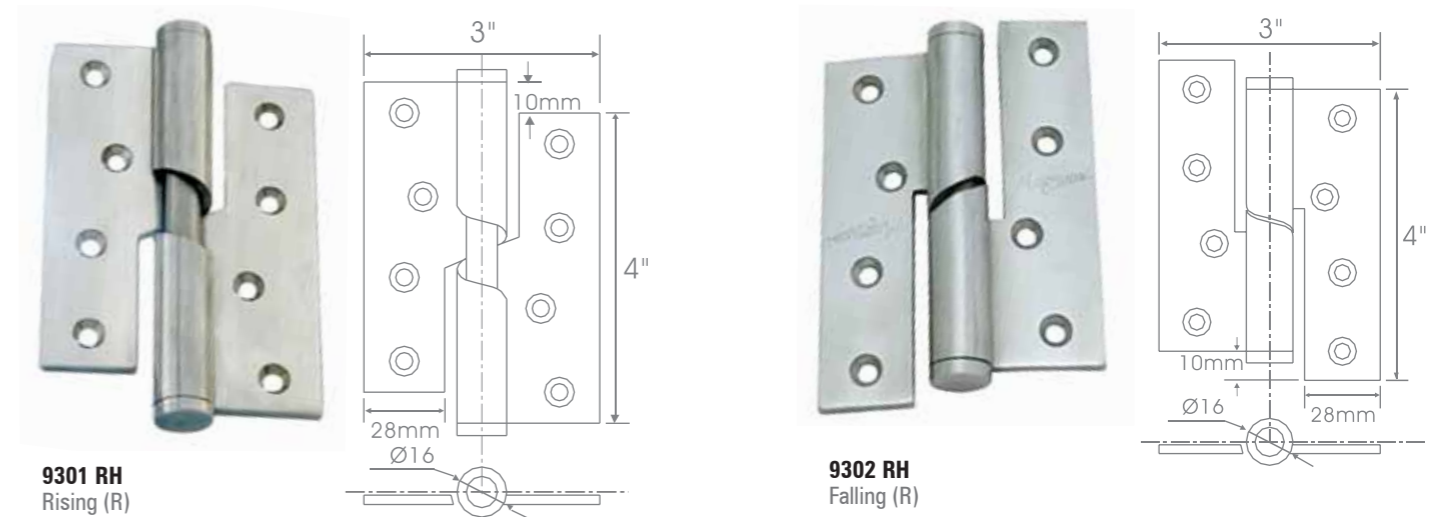


9624
4" x 3" x 2 mm

- Has built in spring action that closes the door after each opening
- It has double action
- Mainly used with light doors, half shutter in restaurants, hospitals and commercial premises where door is required to swing both ways
- Door alignment needs to be perfect for proper functioning
- Magnum stainless steel hinges are rolled from "First prime quality" stainless steel 304 sheets
- Magnum stainless steel hinges are fitted with standard flat fixed finials
- Magnum stainless steel hinges are furnished with stainless steel 304 screws
- Magnum stainless steel hinges come with matt finish
- Also available in SS-316

Series - 93

Rising and falling hinges



9301 RH
Rising (R)

9302 RH
Falling (R)

Code	Hinges size in inch	Hinges size in mm	Width of single leaf inch	mm	Barrel inch	mm	Pcs in inner box	Pcs in carton
	L x W x T	L x W x T						
9301 RH	4 x 3 x 3 mm	102 x 76 x 3	1.18	30	5/8	16	5	80
9302 RH	4 x 3 x 3 mm	102 x 76 x 3	1.18	30	5/8	16	5	80

Falling Hinges

- These are lift-off kind of hinges
- Have the reverse property than the rising hinges
- Always keeps door in open position due to the gravitational force and weight of the door
- Remains open unless it is closed by door bolts
- Generally used with toilet cubics, as vacant toilet door will always remain open to be occupied
- Only two hinges per door to be fitted
- The right hand or left hand hinges should be chosen appropriately

Rising hinges

- These are lift-off kind of hinges
- Due to the special cut on the knuckle, door rises by 10 mm when opened at 90°
- Tendency to close when the door is left free, due to the gravitational force and weight of the door
- Due to the rising property, can be used with the carpet and uneven floor
- Only two hinges per door to be fitted
- The right hand or left hand hinges should be chosen appropriately
- Door alignment needs to be perfect for proper functioning

Stainless steel hinges, Grade 304

Stainless steel hinges, Grade 304



Series - 96

Auto roaming hinges

Code	Hinges size		Width of single leaf		Barrel		Pcs in inner box	Pcs in carton
	in inch	in mm	inch	mm	inch	mm		
	L x W x T		L x W x T					
	(Left and Right)							
9631	4 x 3 x 2 mm	102 x 76 x 2	1.50	1.2	7.16	12	2 Sets	16 Sets

- Uniquely designed to keep the door always in close position
- Has lift-off hinge construction
- Comes in set of two hinges – top hinge and bottom hinge
- When installed works as self-closing device
- Special angle on the leaf along with gravitational force accelerates the closing speed and can also close the doors latch

Uses

- Can be used ideally with door weight of 30 to 50 kg
- For bathroom doors, internal doors and doors where door closers cannot be installed
- The aircon energy can be saved
- Can be used ideally with the drop down seal mounted on the door

Advantages

- No moving parts and springs are involved
- More durable
- Works even if the door alignment is not proper



Top hinge



Bottom hinge

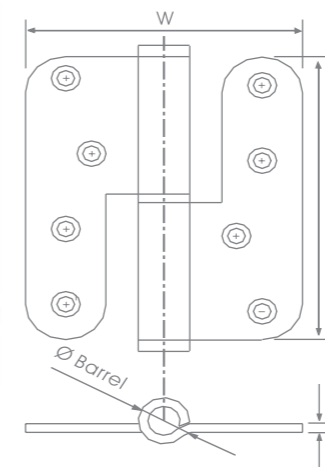
Series - 92

Lift off with washer hinges

Code	Hinges size		Width of single leaf		Barrel		Pcs in inner box	Pcs in carton
	in inch	in mm	inch	mm	inch	mm		
	L x W x T		L x W x T					
	(Left and Right)							
9201	3.1/8 x 3.1/8 x 2 mm	80 x 80 x 2.0	1.35	35	7/16	11	5	80
9202	3.1/8 x 3.1/8 x 2.5 mm	80 x 80 x 2.5	1.35	35	7/16	11	5	80
9205	3.1/2 x 3.1/2 x 3 mm	90 x 90 x 3.0	1.35	35	5/8	16	5	80
9206	4 x 3.3/8 x 3 mm	100 x 86 x 3.0	1.35	35	5/8	16	5	80
9207	4.3/4 x 3.3/8 x 3 mm	120 x 86 x 3.0	1.35	35	5/8	16	5	80



9206
100 x 86 x 3 mm (R)



9202
80 x 80 x 2.5 mm (R)

- These hinges have lift-off construction
- The two halves are separate so that when door is open it can be lifted off
- These hinges have total stainless steel 304 material
- The knuckle dia is bigger Ø16 mm, hence are very strong hinges

Uses

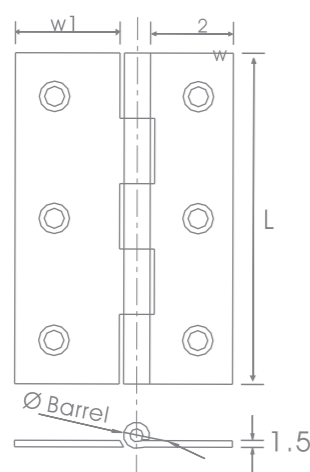
- Ideal for commercial complex
- Metal doors and at the area where installation require the door to be removed frequently

Series - 95

Light butt cut hinges



9502
3" (1/2" x 3/4") x 1.5 mm



Code	Hinges size		Barrel		Pcs in inner box	Pcs in carton
	in inch	in mm	inch	mm		
	L x (W1 x W2) x T					
9501	3 x (3/8 x 5/8) x 1.5 mm	1/4	6.35	25	400	400
9502	3 x (1/2 x 3/4) x 1.5 mm	1/4	6.35	25	400	400
9503	3 x (1/2 x 1) x 1.5 mm	1/4	6.35	25	400	400
9504	3 x (3/4 x 3/4) x 1.5 mm	1/4	6.35	25	400	400
9505	3 x (3/4 x 1) x 1.5 mm	1/4	6.35	25	400	400
9506	4 x (1/2 x 3/4) x 1.5 mm	1/4	6.35	20	320	320
9507	4 x (1/2 x 1) x 1.5 mm	1/4	6.35	20	320	320
9508	4 x (3/4 x 3/4) x 1.5 mm	1/4	6.35	20	320	320
9509	4 x (3/4 x 1) x 1.5 mm	1/4	6.35	20	320	320

Advantages

- The complete construction of hinge is rust free
- AUSU grade 304 stainless steel
- Can be used in kitchen area like kitchen cabinets and wardrobes

- These are fixed-pin butt hinges
- Both the hinge-leaves have different width
- The short-width leaf to be fitted on narrow frame and the broader-width leaf to be fitted on wider shutter
- The two end caps eliminate the possibility of central pin to fall off

Series - 91

H - type hinges

Code	Hinges size		Width of single leaf		Barrel		Pcs in inner box	Pcs in carton
	in inch	in mm	inch	mm	inch	mm		
	L x W x T		L x W x T					
	(Left and Right)							
9163	4.3 x 2.2 x 3 mm	110 x 55 x 3.0	0.6	16	9/16	14	5	80
9164	5.5 x 2.2 x 3 mm	140 x 55 x 3.0	0.6	16	9/16	14	5	80

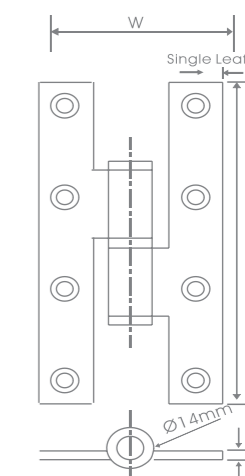
- These hinges have the lift off construction and properties
- Has narrow width leaves but strong barrel of Ø14 mm
- Has strong construction of stainless steel 304 material

Uses

- Commercial complex-metal door with narrow frame
- At the area where installation require the door to be removed frequently



9163
110 x 55 x 3.0 mm (R)



Stainless steel hinges, Grade 304

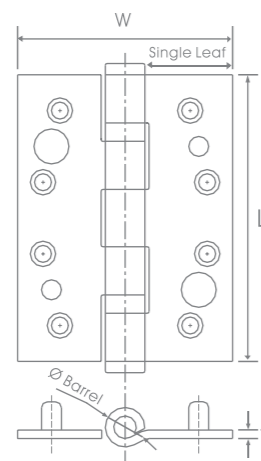
Series - 91

Security hinges with two ball bearing Flat tip

Code	Hinges size	Hinges size	Width of single leaf		Barrel		Pcs in inner box	Pcs in carton
	in inch	in mm	inch	mm	inch	mm		
	L x W x T	L x W x T						
9153	4 x 3 x 3 mm	102 x 76 x 3	1.25	31.0	9/16	14	5	80
9154	4 x 3.1/2 x 3 mm	102 x 89 x 3	1.50	38.0	9/16	14	5	80
9155	4 x 4 x 3 mm	102 x 102 x 3	1.75	44.0	9/16	14	5	80



9153
4" x 3" x 3 mm



When the door is closed

- The security stud on one leaf sits inside the hole in corresponding position on the opposite leaf
- It prevents the pushing of the door, even if central pin of hinge is hammered down

Recommended

- The door which opens outside, i.e. where hinge pin is exposed externally
- High security area main doors
- High security for the outside opening doors
- Door cannot be opened even if the central pin of hinge is hammered down

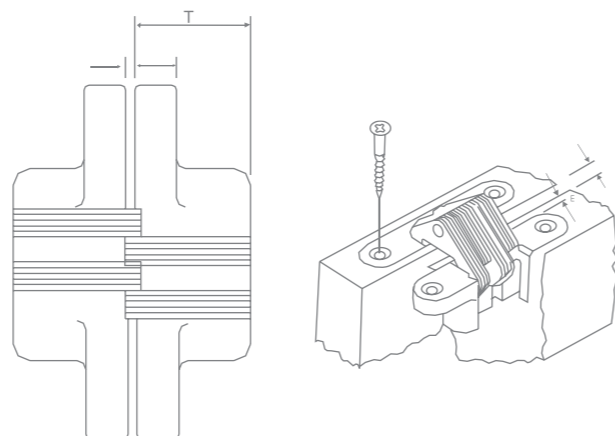
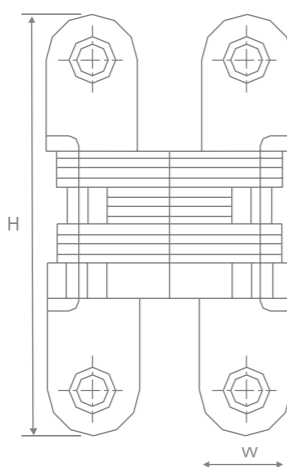
Series - 96

Invisible hinges

Code	Dimensions		
	W	H	T
9619	19.05 mm	95.25 mm	27.38 mm
9625	25.40 mm	117.48 mm	36.51 mm
9628	28.58 mm	117.48 mm	41.67 mm
9635	35.00 mm	139.70 mm	49.21 mm



9619
95.25 x 19.05 x 27.38 mm



Advantages

- The installation is deep, with supporting screws on the face plate assures firm and more stable installation even for heavy doors
- When closed the invisible hinges cannot be seen or tampered with when open
- The riveted hinge pin is non-removable

- Specially made for heavy doors
- Construction of these hinges is strong
- Made up from solid stainless steel AUSU grade 304 material
- Designed with an anti friction space age material to ensure smooth performance

- Magnum stainless steel hinges are furnished with stainless steel 304 screws
- Magnum stainless steel hinges come in matt finish
- Also available in SS-316

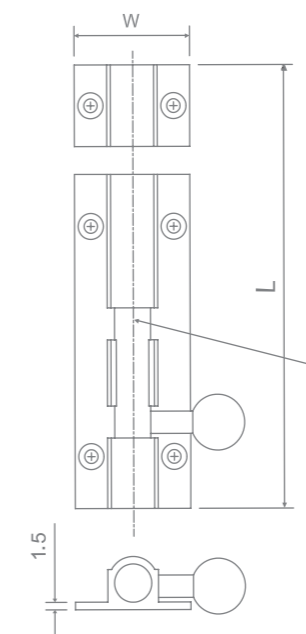
Solid extruded brass tower bolts

Series - 53

Rod 3/8" (9.5 mm)



5306 R
Round 6" x 9.5 mm
(Ball knob)



Code	Rod length in		Pcs per inner box	Pcs per carton
	inch	mm		
	L x Rod Ø	L x Rod Ø		
5302	2 x 3/8	52 x 9.5	10	200
5304	4 x 3/8	102 x 9.5	10	200
5306	6 x 3/8	152 x 9.5	5	100
5308	8 x 3/8	203 x 9.5	5	100
5310	10 x 3/8	254 x 9.5	5	60
5312	12 x 3/8	305 x 9.5	5	60
5318	18 x 3/8	457 x 9.5	10	20
5324	24 x 3/8	610 x 9.5	10	20
5330	30 x 3/8	762 x 9.5	10	20
5336	36 x 3/8	914 x 9.5	10	20

- Offers smooth movements
- Classic knob designs
- Ideal to use with windows and doors

Series - 54

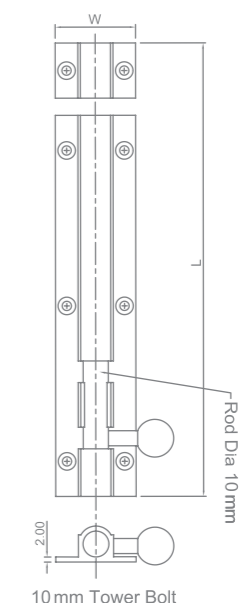
Rod 3/8" + (10 mm)

Code	Rod length in		Pcs per inner box	Pcs per carton
	inch	mm		
	L x Rod Ø	L x Rod Ø		
5402	2 x 3/8+	52 x 10	10	200
5403	3 x 3/8+	76 x 10	10	200
5404	4 x 3/8+	102 x 10	10	200
5406	6 x 3/8+	152 x 10	5	100
5408	8 x 3/8+	203 x 10	5	100
5410	10 x 3/8+	254 x 10	5	60
5412	12 x 3/8+	305 x 10	5	60
5418	18 x 3/8+	457 x 10	10	20
5424	24 x 3/8+	610 x 10	10	20
5430	30 x 3/8+	762 x 10	10	20
5436	36 x 3/8+	914 x 10	10	20

- Offers strong construction
- Comes with buffer at the collar of the knob for noise free operation
- Strong extruded profile gives it extra strength



5406 R
Round 6" x 10 mm
(Big knob)

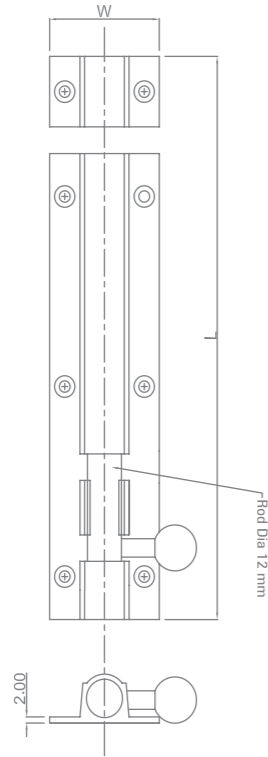


5406 R
Round 6" x 10 mm
(Ball knob)

Solid extruded brass tower bolts

Series - 55

Rod 1/2" (12.7 mm)



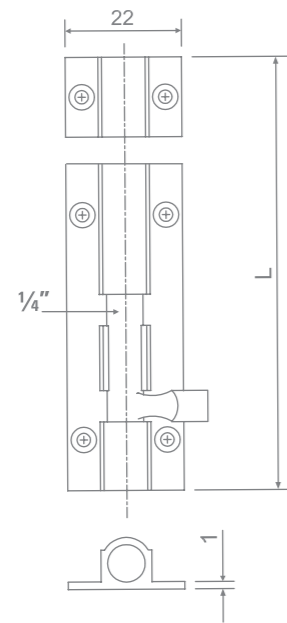
Code	Rod length in		Pcs per inner box	Pcs per carton
	inch	mm		
	L x Rod Ø	L x Rod Ø		
5502	2 x 1/2	52 x 12.7	10	200
5503	3 x 1/2	76 x 12.7	10	200
5504	4 x 1/2	102 x 12.7	10	200
5506	6 x 1/2	152 x 12.7	5	100
5508	8 x 1/2	203 x 12.7	5	100
5510	10 x 1/2	254 x 12.7	5	60
5512	12 x 1/2	305 x 12.7	5	60
5518	18 x 1/2	457 x 12.7	10	20
5524	24 x 1/2	610 x 12.7	10	20
5530	30 x 1/2	762 x 12.7	10	20
5536	36 x 1/2	914 x 12.7	10	20

- These bolts have heavy rod dia of 12.7 mm
- Ideal to use in long series upto 36"
- Extruded profiles allow it to go weld free in long series
- Used for big and heavy doors

5506 R
Round 6" x 12.7 mm
(Ball knob)

Series - 51

Rod 1/4" (6.25 mm)



Code	Rod length in		Pcs per inner box	Pcs per carton
	inch	mm		
	L x Rod Ø	L x Rod Ø		
5101	1.1/2 x 1/4	38 x 6.25	20	400
5102	2 x 1/4	52 x 6.25	20	400
5103	3 x 1/4	76 x 6.25	10	200
5104	4 x 1/4	102 x 6.25	10	200
5106	6 x 1/4	152 x 6.25	5	100

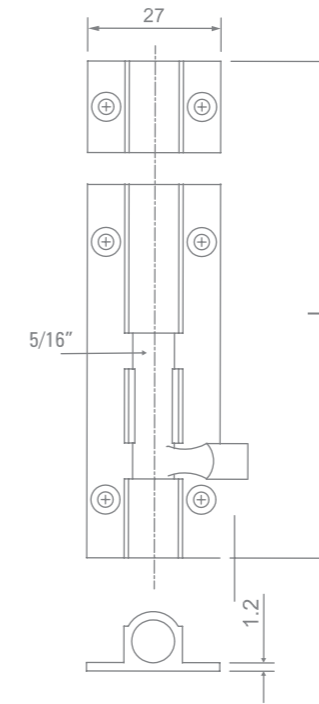
- Good classic designs available only upto 6" length
- Smooth operations
- Furnished with solid brass wood screws in respective finishes

5104 P
PC type 4" x 1/4"
Geo knob

Solid extruded brass tower bolts

Series - 52

Rod 5/16" (8 mm)



Code	Rod length in		Pcs per inner box	Pcs per carton
	inch	mm		
	L x Rod Ø	L x Rod Ø		
5202	2 x 5/16	52 x 8	20	400
5203	3 x 5/16	76 x 8	20	400
5304	4 x 5/16	102 x 8	10	200
5206	6 x 5/16	152 x 8	5	100
5106	8 x 5/16	203 x 8	5	100

- Specially used where the door frame and door shutter are not in one line
- Off-set bolt will come out of the frame and will close the door firmly

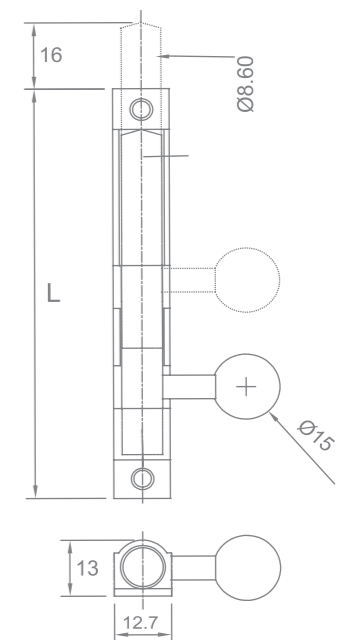
5206 N
Neck 6" x 5/16"
Ball knob

Series - 52 C

Concealed tower bolt Rod 11/32" (8.60 mm)

Code	Rod length in		Pcs per inner box	Pcs per carton
	inch	mm		
	L x Rod Ø	L x Rod Ø		
5203 C	3 x 11/32	76 x 8.60	10	200
5204 C	4 x 11/32	102 x 8.60	10	200
5206 C	6 x 11/32	152 x 8.60	5	100
5208 C	8 x 11/32	203 x 8.60	5	100

- Sleek design
- Screws cannot be seen
- Good aesthetic look



5206 C
6" x 8.60 mm
Ball knob

All above series of tower bolts are available in following knobs



Furnished with solid brass wood screws in respective finishes

All above series of tower bolts are available in following profiles: R - Round S - Square P - PC type L - Long shoot N - Neck

Stainless steel tower bolts, Grade 304

Stainless steel flush bolts, Grade 304

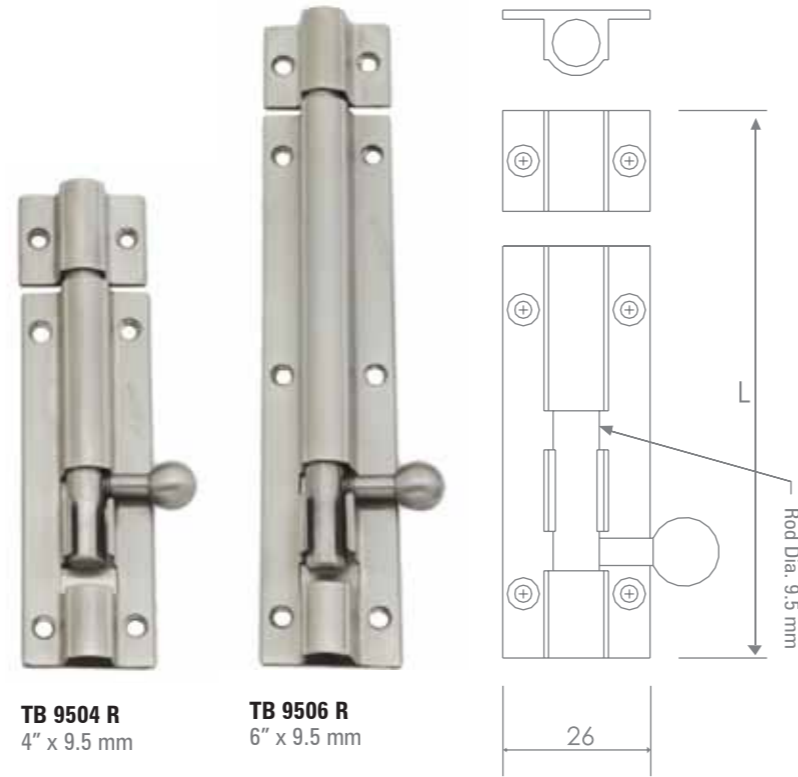


Series - TB

Tower bolt (9.5 mm)

Code	Size		Pcs per inner box	Pcs per carton
	inch	mm		
		L x Rod Ø	L x Rod Ø	
TB 9503	3 x 3/8	76 x 9.5	10	200
TB 9504	4 x 3/8	102 x 9.5	10	200
TB 9506	6 x 3/8	152 x 9.5	5	100
TB 9508	8 x 3/8	203 x 9.5	5	100

- Similar to traditional tower bolt in appearance
- Made out of stainless steel 304 grade material
- Offers extra strength, lifelong finish and smooth operation

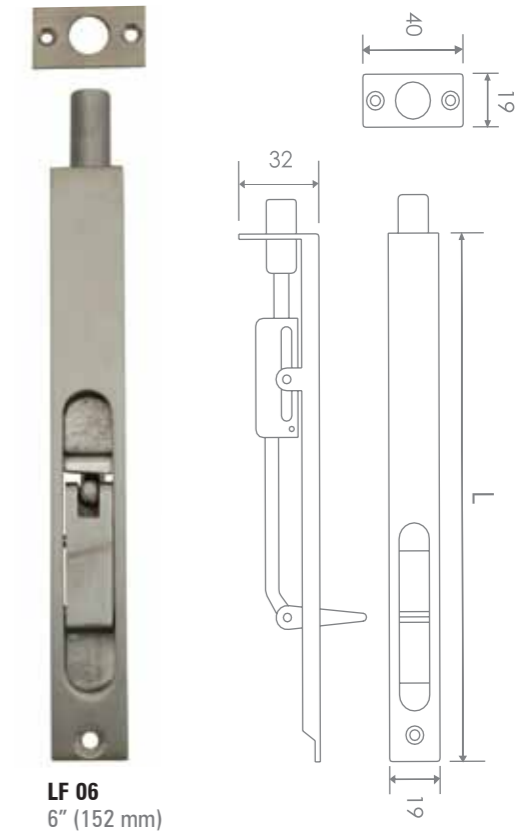


Series - LF

Lever action flush bolts

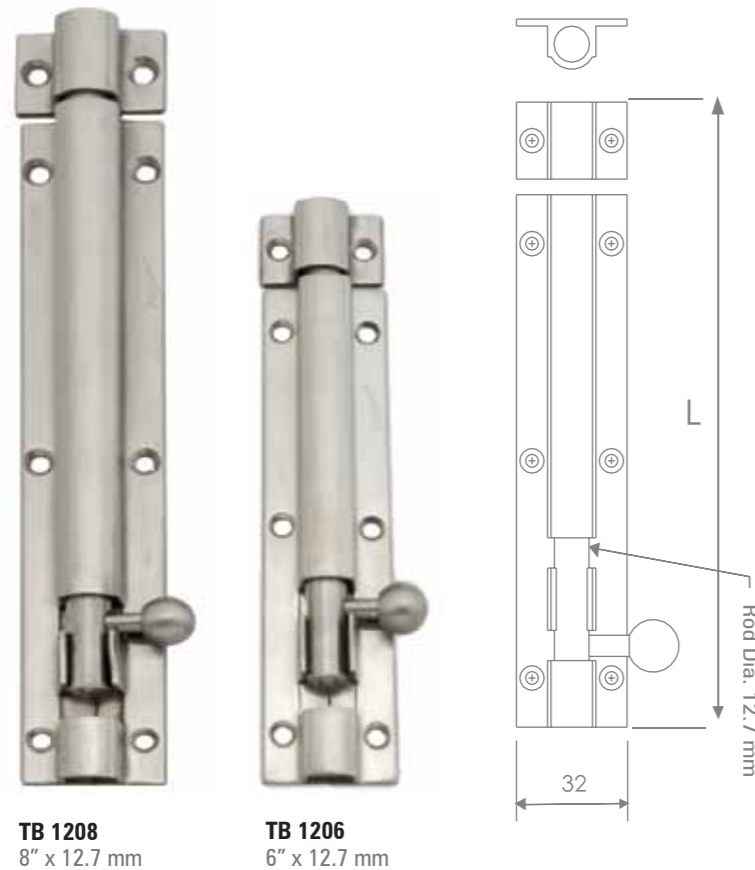
Code	Size		Pcs per inner box	Pcs per carton
	inch	mm		
		L x W	L x W	
LF 06	6 x 3/4	152 x 19.0	10	200
LF 08	8 x 3/4	203 x 19.0	10	200
LF 10	10 x 3/4	252 x 19.0	5	100
LF 12	12 x 3/4	305 x 19.0	5	100

- Used only with double doors
- Used on the thickness of shutter, so that when another shutter is closed, it cannot be tampered with, as the bolt operation is of Lever type



Series - TB

Tower bolt (12 mm)

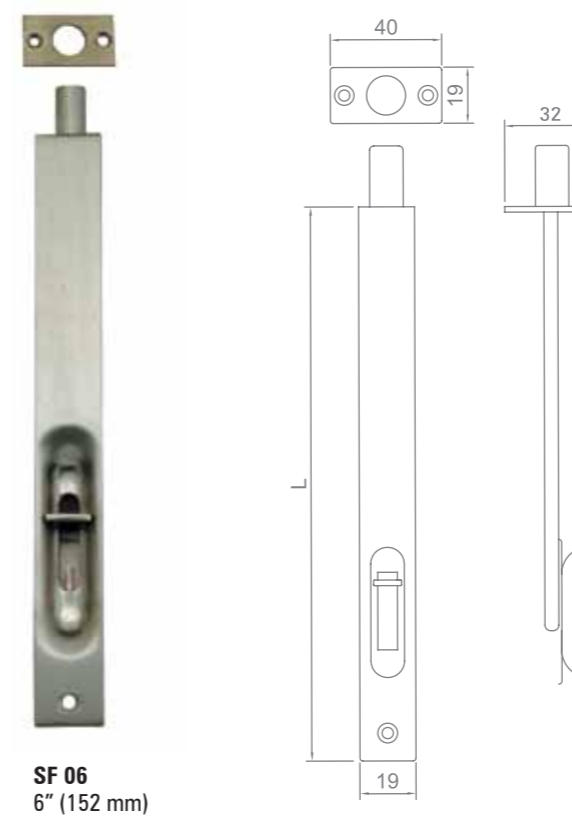


Code	Size		Pcs per inner box	Pcs per carton
	inch	mm		
		L x Rod Ø	L x Rod Ø	
TB 1206	6 x 1/2	152 x 12.7	10	200
TB 1208	8 x 1/2	203 x 12.7	10	200
TB 1210	10 x 1/2	252 x 12.7	5	100
TB 1212	12 x 1/2	305 x 12.7	5	100

- Similar to traditional tower bolt in appearance
- Made out of stainless steel 304 grade material
- Offers extra strength, lifelong finish and smooth operation

Series - SF

Sliding flush bolts



Code	Size		Pcs per inner box	Pcs per carton
	inch	mm		
		L x W	L x W	
SF 06	6 x 3/4	152 x 19.0	10	200
SF 08	8 x 3/4	203 x 19.0	10	200
SF 10	10 x 3/4	252 x 19.0	5	100
SF 12	12 x 3/4	305 x 19.0	5	100

- Same application as that of brass flush bolts Series 52 C
- Made from stainless steel 304 material
- Operates with sliding action
- Used with double doors

Stainless steel flush bolts, Grade 304

Series - BF

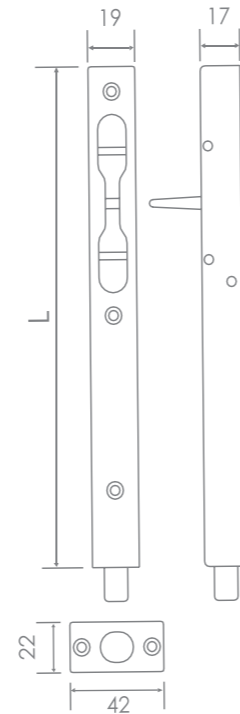
Box type flush bolts

Code	Size		Pcs per inner box	Pcs per carton
	inch	mm		
	L x W	L x W		
BF 06	6 x 3/4	152 x 19.0	10	200
BF 08	8 x 3/4	203 x 19.0	10	200
BF 10	10 x 3/4	252 x 19.0	5	100
BF 12	12 x 3/4	305 x 19.0	5	100

- Made from stainless steel 304 material
- Has box type construction so that it is easy to judge the dimension of how much to chisel the wood
- Ideal for the metal doors as it is easy for installation
- Used with double doors



BF 06
6" (152 mm)



Solid brass flush bolts

Series - 56

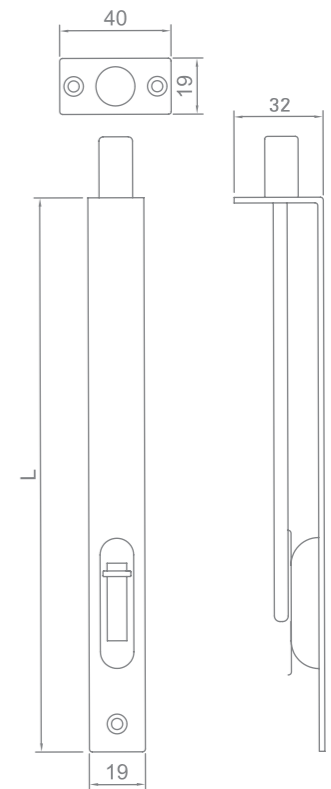
Sliding type

Code	Size		Pcs per inner box	Pcs per carton
	inch	mm		
	L x W	L x W		
5605	5 x 3/4	127 x 19	10	200
5606	6 x 3/4	152 x 19	10	200
5608	8 x 3/4	203 x 19	5	100
5610	10 x 3/4	254 x 19	5	60
5612	12 x 3/4	340 x 19	5	60

- Used with double doors
- Fitted on the thickness of shutter
- Bolts operate by sliding up and down



5606
6" (152 mm)

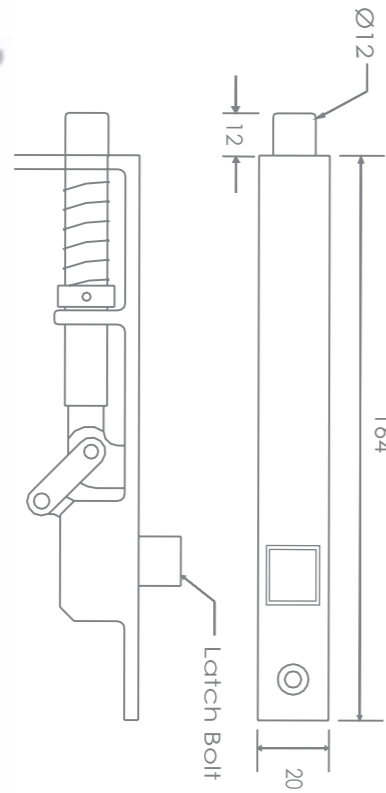


Series - AF

Auto closed flush bolt



AF 06
6.5" (164 mm)



Code	Size		Pcs per inner box	Pcs per carton
	inch	mm		
	L x W	L x W		
AF 06	6.5 x 3/4	164 x 19.0	10	200

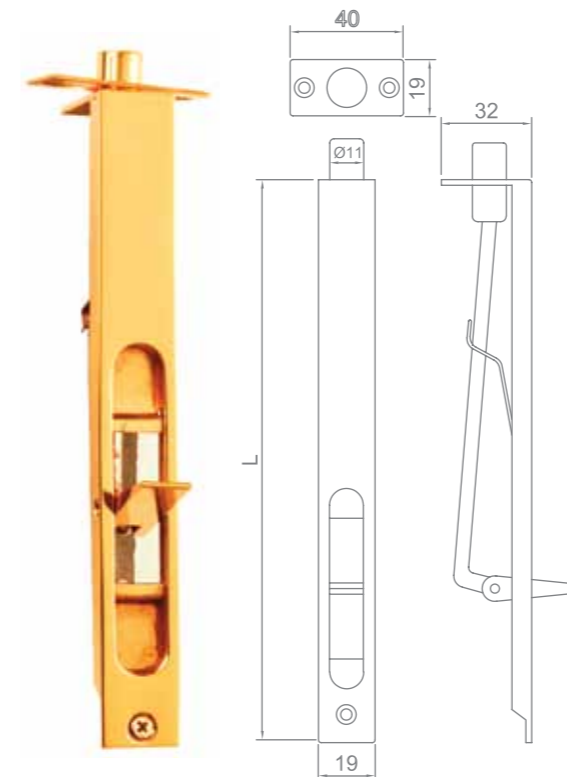
- Has heavy construction of stainless steel 304
- Investment casting to be used with double doors
- Has unique function of auto closing. When the opposite door is closed, it presses the bolt so that shoot comes out and closes the door
- When opposite shuttle is released then the bolt automatically goes down to release the inactive shutter
- Above item is also available in SS 316 grade

Finishes available

- Hairline finish (matt finish)
- Polished glossy finish

Series - 57

Lever action



5706
6" (152 mm)

Code	Size		Pcs per inner box	Pcs per carton
	inch	mm		
	L x W	L x W		
5705	5 x 3/4	127 x 19	10	200
5706	6 x 3/4	152 x 19	10	200
5708	8 x 3/4	203 x 19	5	100
5710	10 x 3/4	254 x 19	5	60
5712	12 x 3/4	304 x 19	5	60
5716	6 x 1	152 x 25	10	200
5718	8 x 1	203 x 25	5	100
5721	10 x 1	254 x 25	5	60
5722	12 x 1	304 x 25	5	60

- Used only with double doors
- Used on the thickness of shutter, so that when another shutter is closed, then it cannot be tampered with, as the bolt operation is of Lever type

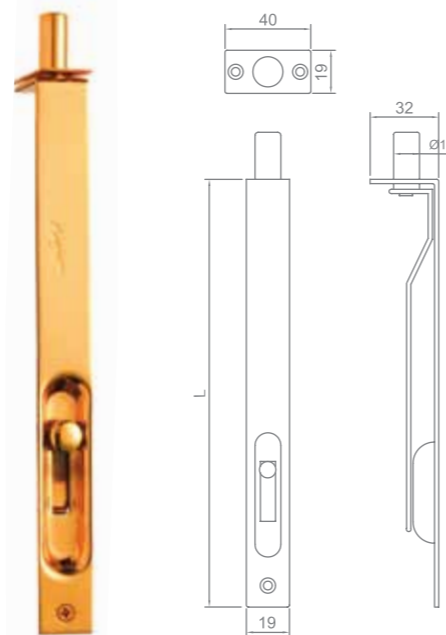
Solid brass flush bolts

Series - 58

Sliding with lock

Code	Size		Pcs per inner box	Pcs per carton
	inch	mm		
	L x W	L x W		
5805	5 x 3/4	127 x 19	10	200
5806	6 x 3/4	152 x 19	10	200
5808	8 x 3/4	203 x 19	5	100
5810	10 x 3/4	254 x 19	5	60
5812	12 x 3/4	304 x 19	5	60

- Used with double doors
- Fitted on the thickness of shutter
- Bolts operate by sliding up and down
- Locking mechanism will prevent forceful opening of the bolt



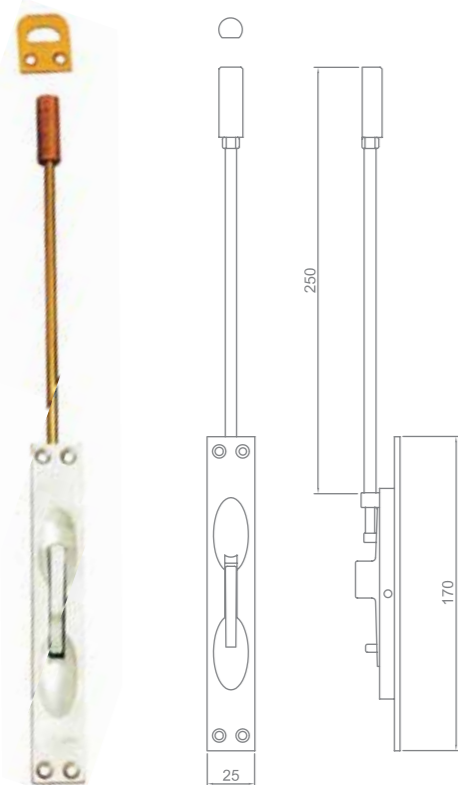
5806
6" (152 mm)

Series - 59

Extended type

Code	Size		Pcs per inner box	Pcs per carton
	inch	mm		
	L x W	L x W		
5906	6.3/4 x 1	172 x 25	5	50

- Mainly used in metal doors with double shutter
- Extended rod allows it to operate conveniently with higher doors
- Operates on Lever type of action, hence has higher grade of security
- Has strong extrusion profile, for better security



5906
6 3/4" (172 mm)

Furnished with stainless steel plated screws in respective finishes

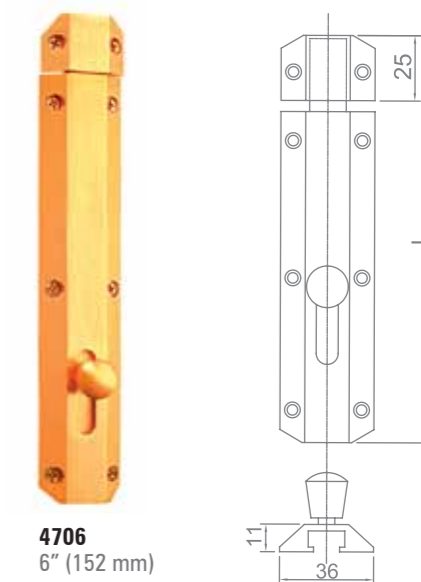
Solid brass surface bolts

Series - 47

'J' type surface bolts

Code	Size		Pcs per inner box	Pcs per carton
	inch	mm		
4702	2	52	10	200
4703	3	76	10	200
4704	4	102	10	200
4706	6	152	5	100
4708	8	203	5	100
4710	10	253	5	60
4712	12	305	5	60
4724	24	610	10	20

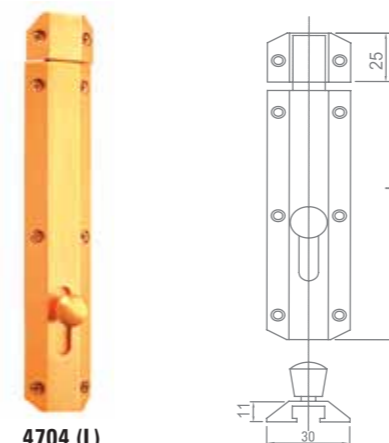
- Has strong solid brass extrusion profile
- Can be used in long series with extended rod



4706
6" (152 mm)

Series - 47 L

'J' type surface bolts - Light



4704 (L)
4" (102 mm)

Code	Size		Pcs per inner box	Pcs per carton
	inch	mm		
4703 (L)	3	76	10	200
4704 (L)	4	102	10	200

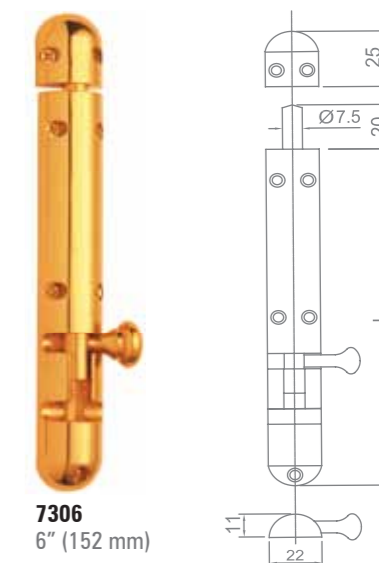
- Has strong solid brass extrusion profile
- Can be used in long series with extended rod

Series - 73

'D' type surface bolts - Light

Code	Size		Pcs per inner box	Pcs per carton
	inch	mm		
7302	2	52	10	200
7303	3	76	10	200
7304	4	102	10	200
7306	6	152	5	100
7308	8	203	5	100
7310	10	253	5	06
7312	12	305	5	60

- Strong round shape extrusion profile with unique knob
- Good for security



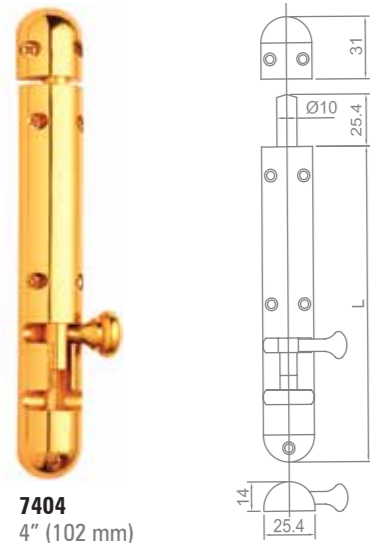
7306
6" (152 mm)

Furnished with stainless steel plated screws in respective finishes

Solid brass surface bolts

Series - 74

'D' type surface bolt - Heavy



7404
4" (102 mm)

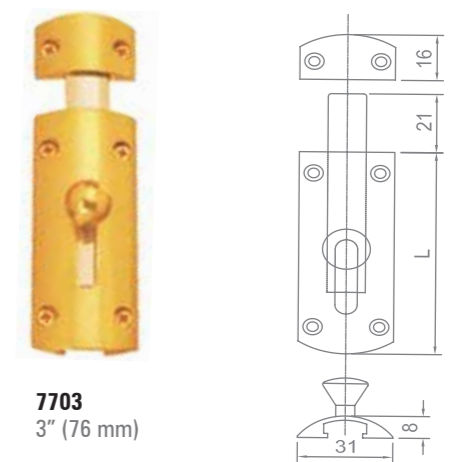
Code	Size		Pcs per inner box	Pcs per carton
	inch	mm		
7402	2	52	10	200
7403	3	76	10	200
7404	4	102	10	200
7406	6	152	5	100
7408	8	203	5	100
7410	10	253	5	60
7412	12	305	5	60

- Strong round shape extrusion profile with unique knob
- Good for security

Solid brass surface bolts

Series - 77

'C' type surface bolts



7703
3" (76 mm)

Code	Size		Pcs per inner box	Pcs per carton
	inch	mm		
7702	2	52	10	200
7703	3	76	10	200
7704	4	102	10	200
7706	6	152	5	100
7708	8	203	5	100
7710	10	253	5	60
7712	12	305	5	60

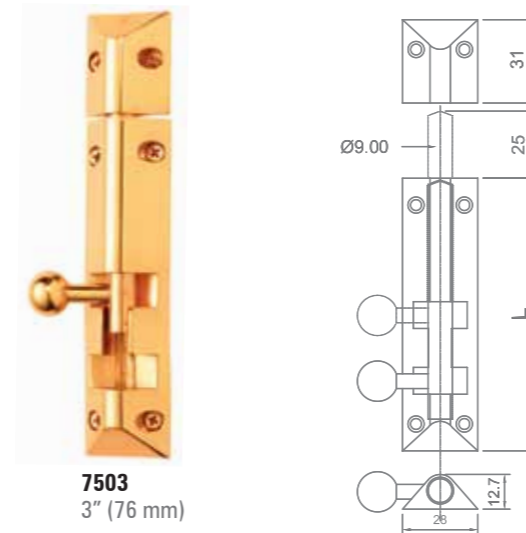
- Unique aero-dynamic extrusion profile
- Sleek and smooth operations

Series - 75

Pyramid type surface bolts

Code	Size		Pcs per inner box	Pcs per carton
	inch	mm		
7502	2	52	10	200
7503	3	76	10	200
7504	4	102	10	200
7506	6	152	5	100
7508	8	203	5	100
7510	10	253	5	60
7512	12	305	5	60

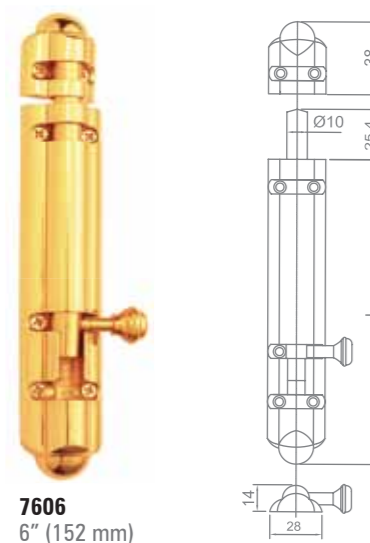
- Contains pyramid shape extrusion section with triangular look
- Ideal classic interior



7503
3" (76 mm)

Series - 76

Flower type surface bolts



7606
6" (152 mm)

Code	Size		Pcs per inner box	Pcs per carton
	inch	mm		
7602	2	52	10	200
7603	3	76	10	200
7604	4	102	10	200
7606	6	152	5	100
7608	8	203	5	100
7610	10	253	5	60
7612	12	305	5	60

- Unique shape of extrusion profile
- Ideal for classic interior

Series - 48

'J' type extended



4808
8" (203 mm)

Code	Size		Pcs per inner box	Pcs per carton
	inch	mm		
4806	6	152	5	100
4808	8	203	10	200
4810	10	253	10	200
4812	12	305	10	200
4824	24	610	10	200

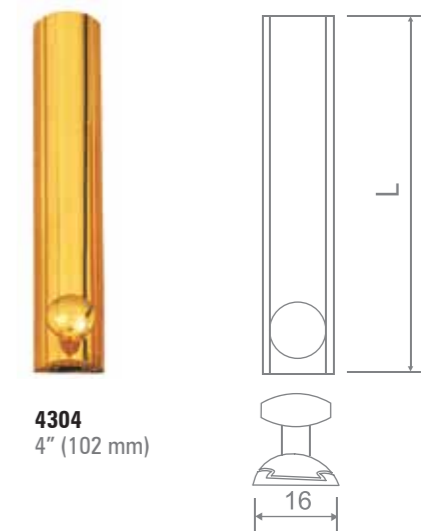
- Strong extrusion profile for security
- Has extended bolt, so that it can be reached easily when fitted on big doors

Series - 43

Concealed (with round profile and knob)

Code	Size		Pcs per inner box	Pcs per carton
	inch	mm		
4302	2	52	10	200
4303	3	76	10	200
4304	4	102	10	200
4306	6	152	5	100
4308	8	203	5	100
4310	10	253	5	60
4312	12	305	5	60
4318	18	457	5	60
4324	24	610	5	60

- Sleek and smooth profile
- Screws are concealed
- Ideal to be used in wardrobes and furnitures

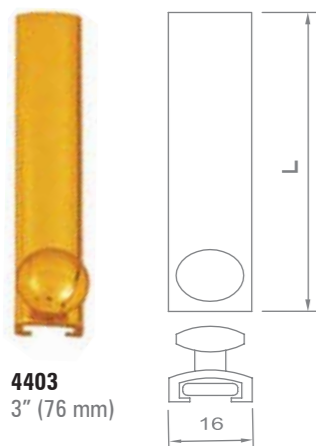


4304
4" (102 mm)

Solid brass surface bolts

Series - 44

Concealed (with 'C' profile and knob)



4403
3" (76 mm)

- Sleek and smooth profile
- Screws are concealed
- Ideal to be used in wardrobes and furnitures

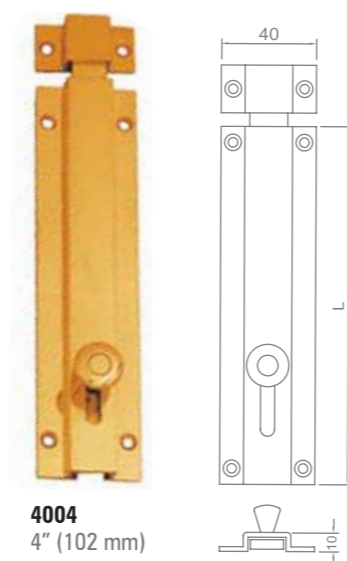
Code	Size		Pcs per inner box	Pcs per carton
	inch	mm		
4402	2	52	10	200
4403	3	76	10	200
4404	4	102	10	200
4406	6	152	5	100
4408	8	203	5	100
4410	10	253	5	60
4412	12	305	5	60
4418	18	457	5	60
4424	24	610	5	60

Series - 40

Spring type

Code	Size		Pcs per inner box	Pcs per carton
	inch	mm		
4002	2	52	10	200
4003	3	76	10	200
4004	4	102	10	200
4006	6	152	5	100
4008	8	203	5	100
4010	10	253	5	60
4012	12	305	5	60
4018	18	457	5	60
4024	24	610	5	60

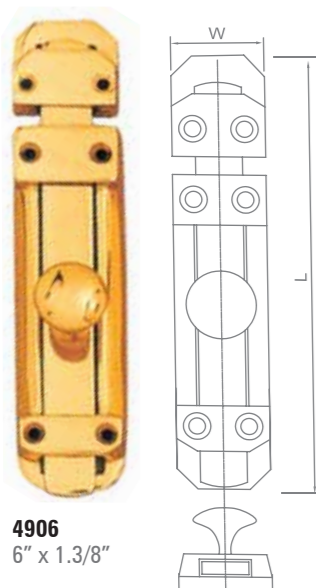
- Provides unique security feature
- Knob has locking system
- When the knob is pulled upwards it can only move up and down
- Cannot be released even by knocking the door several times



4004
4" (102 mm)

Series - 49

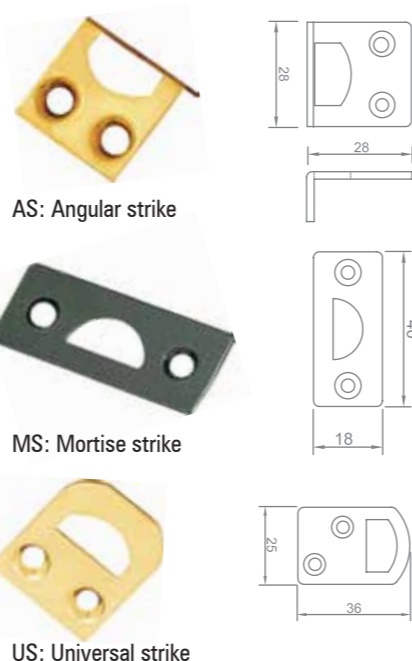
'A' type



4906
6" x 1.3/8"

Code	Size		Pcs per inner box	Pcs per carton
	inch	mm		
	L x W	L x W		
4903	3 x 1.3/8	76 x 35	20	100
4904	4 x 1.3/8	102 x 35	20	100
4906	6 x 1.3/8	152 x 35	20	100
4908	8 x 1.3/8	202 x 35	20	100
4910	10 x 1.3/8	254 x 35	20	100
4907	6 x 1.5/8	152 x 40	20	100
4909	8 x 1.5/8	202 x 40	20	100
4911	10 x 1.5/8	254 x 40	20	100

- Flat design with big knob makes it easy for operation
- Good design



AS: Angular strike

MS: Mortise strike

US: Universal strike

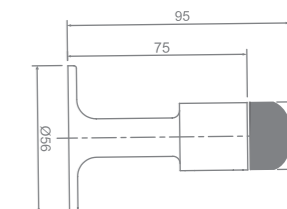
Solid brass door stoppers

Series - 61

Door stoppers

Code	Description	Size	Pcs per inner box	Pcs per carton
		in mm		
		H x Ø		
6112	Wall fixing - Heavy	75 x 56	5	100

- Fixed on the wall
- Prevents shutter to hit the wall and damage the lever handle
- Heavy construction
- Used mainly on commercial doors



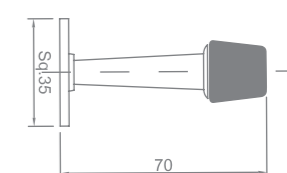
6123	Wall fixing - Ring type	75 x 42	5	100
------	-------------------------	---------	---	-----

- Fixed on the wall
- Prevents shutter to hit the wall and damage the lever handle
- With concealed screws
- Nice sleek look



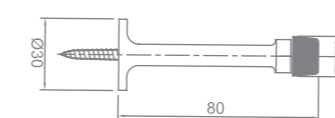
6122	Wall fixing - Square base	70 x 35	5	100
------	---------------------------	---------	---	-----

- Fixed on the wall
- Prevents shutter to hit the wall and damage the lever handle
- With concealed screws
- Nice sleek look
- Square base to suit interior



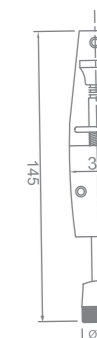
6124	Wall fixing - Short base	80 x 30	5	100
------	--------------------------	---------	---	-----

- Fixed on the wall
- Prevents shutter to hit the wall and damage the lever handle
- With concealed screws
- Sleek model



6118	Foot operated	145	5	100
------	---------------	-----	---	-----

- Fitted at the end of shutter
- Operated with foot, when pressed down sits firmly on the floor preventing shutter to move

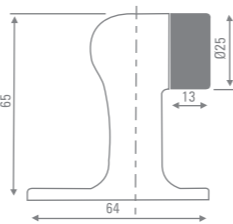
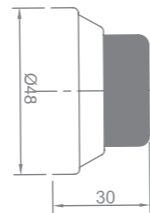
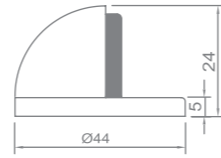


Solid brass door stoppers

Series - 61

Door stoppers

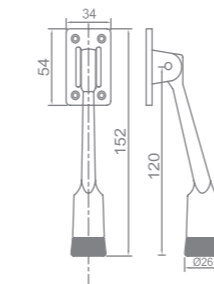
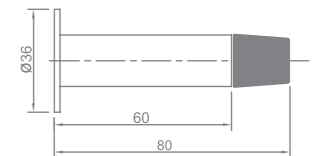
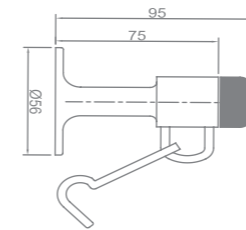
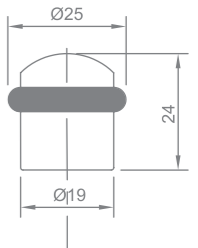
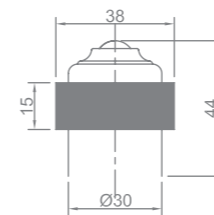
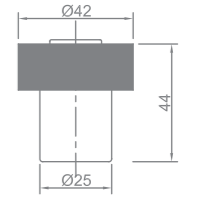
Code	Description	Size in mm	Pcs per inner box	Pcs per carton
6101	Dome type	H x Ø 24 x 5 (T)	10	200
	<ul style="list-style-type: none"> Used on floor to prevent the door from hitting the wall or bath tub in bathroom Round shape will not hurt the leg 			
6110	Floor fixing heavy	62 x 60	5	100
	<ul style="list-style-type: none"> Heavy construction Used on floor to prevent shutter from hitting the wall and damaging the Lever handle 			
6106	Wall bumper	30 x 48	10	200
	<ul style="list-style-type: none"> Used on wall so that tubular knob / lever handle sit in the bumper to prevent wall from being damaged 			
6108	Floor fixing ring rubber	32 x 30	10	200
	<ul style="list-style-type: none"> Heavy construction Used on floor to prevent shutter from hitting the wall and damaging the lever handle 			
6114	Floor fixing penguin	65 x 70 (B)	5	100
	<ul style="list-style-type: none"> Heavy construction Used on floor to prevent shutter to hit the wall and damage the lever handle 			
6128	Half round	18 (H)	10	200
	<ul style="list-style-type: none"> Has sleek shape, without any edges Used on floor to prevent the door from hitting the wall Round shape will not hurt the leg 			



Series - 61

Door stoppers

Code	Description	Size in mm	Pcs per inner box	Pcs per carton
6109	Floor fixing broad rubber	H x Ø 44 x 25	5	100
	<ul style="list-style-type: none"> Heavy construction Used on floor to prevent shutter from hitting the wall and damaging the lever handle Has decorative top 			
6133	Temple door stopper	44 x 30	10	200
	<ul style="list-style-type: none"> Heavy construction Used on floor to prevent shutter from hitting the wall and damaging the lever handle Has decorative top 			
6132	Small ring rubber	24 x 19	20	400
	<ul style="list-style-type: none"> Heavy construction Used on floor to prevent shutter from hitting the wall and damaging the lever handle Dome shaped top 			
6113	Wall fixing heavy with holder	75 x 56	2	40
	<ul style="list-style-type: none"> Used on wall to prevent the door from hitting the wall and damaging the lever handle Hook can hold the door while cleaning, as and when door closer is used with the door 			
6121	Wall fixing round base	80 x 36	5	100
	<ul style="list-style-type: none"> Used on the wall to prevent the door from hitting the the wall and damaging the lever handle 			
6119	Lever type big	120 x 26	5	100
	<ul style="list-style-type: none"> Fit on the bottom of shutter. When engaged it sits on the floor preventing door to close suddenly during heavy winds Strong construction helps trouble free operation 			



Solid brass door stoppers

Stainless steel door stoppers, grade 304



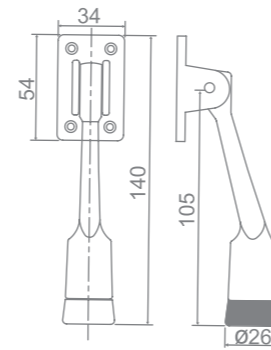
Series - 61

Door stoppers

Code	Description	Size in mm	Pcs per inner box	Pcs per carton
------	-------------	------------	-------------------	----------------

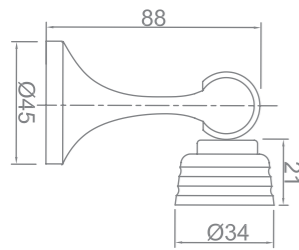
6120	Lever type small	H x Ø 105 x 26	5	100
------	------------------	-------------------	---	-----

- Fits on the bottom of shutter. When engaged it sits on the floor preventing the door to be closed suddenly
- The heavy and strong construction gives trouble-free operation



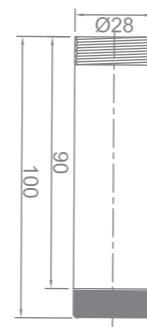
6131	Magnetic	88 x 45	5	100
------	----------	---------	---	-----

- Can be fitted on the wall as well as on the floor
- The magnetic part will hold the door as well as prevent it from hitting the floor / wall
- The strong forged brass structure ensures long life



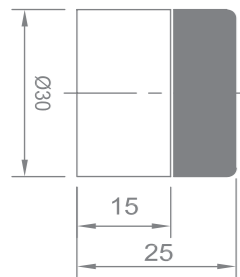
6129	Wall bumper cylinder	100 x 28	5	100
------	----------------------	----------	---	-----

- Anti-tarnish and Mega finish for longer life
- Strong construction
- Great utility



6130	Wall bumper cylinder	25 x 30	10	200
------	----------------------	---------	----	-----

- Anti-tarnish and Mega finish for longer life
- Strong construction
- Great utility

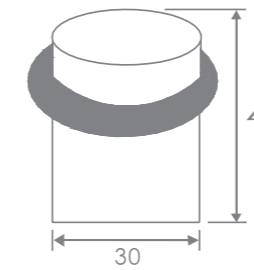


Series - DS

Floor mounted door stoppers



DS 0101
40 mm x Ø30 mm

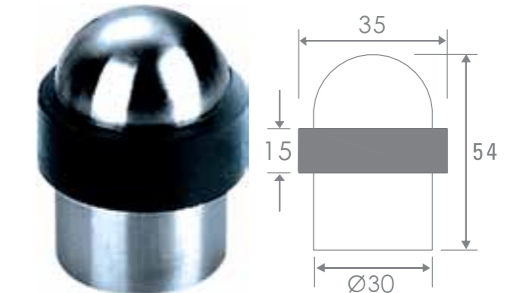


Code	Size in mm	Pcs per inner box	Pcs per carton
------	------------	-------------------	----------------

DS 0201	H x Ø 54 x 30	10	200
---------	------------------	----	-----

Code	Size in mm	Pcs per inner box	Pcs per carton
------	------------	-------------------	----------------

DS 0101	H x Ø 40 x 30	10	200
---------	------------------	----	-----



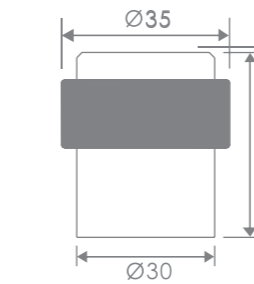
DS 0201
54 mm x Ø30 mm

Code	Size in mm	Pcs per inner box	Pcs per carton
------	------------	-------------------	----------------

DS 0401	H x Ø 40 x 30	10	200
---------	------------------	----	-----

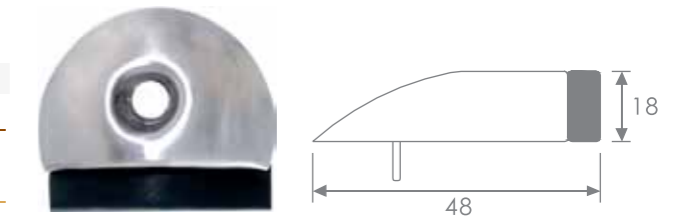


DS 0401
40 mm x Ø30 mm



Code	Size in mm	Pcs per inner box	Pcs per carton
------	------------	-------------------	----------------

DS 0501	H x Ø 18 x 48	10	200
---------	------------------	----	-----



DS 0501
18 mm x Ø48 mm

Series - DS

Dome type door stopper

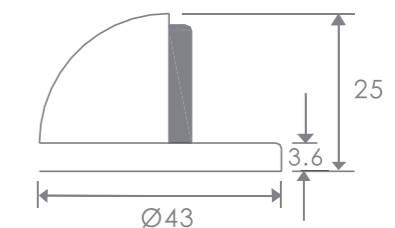
Code	Size in mm	Pcs per inner box	Pcs per carton
------	------------	-------------------	----------------

DS 0301	H x Ø 25 x 43	10	200
---------	------------------	----	-----

- Has strong construction of stainless steel 304 grade
- Long lasting finish



DS 0301
25 mm x Ø43 mm



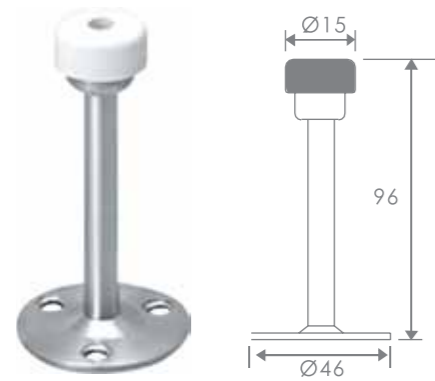
Stainless steel door stoppers, grade 304

Stainless steel door stoppers, grade 304



Series - DS

Wall mounted door stoppers



Code	Size in mm	Pcs per inner box	Pcs per carton
	H x Ø		
DS 0601	96 x 46	5	100

DS 0601
96 mm x Ø46 mm

Series - DS

Magnetic door stoppers



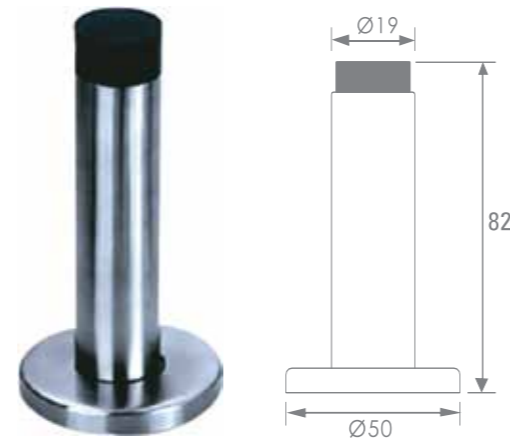
Code	Size in mm	Pcs per inner box	Pcs per carton
	H x Ø		
DS 0901	88 x 45	5	100

DS 0901
88 mm x Ø45 mm

Series - DS

Wall mounted door stopper

Code	Size in mm	Pcs per inner box	Pcs per carton
	H x Ø		
DS 0701	82 x 50	5	100



DS 0701
82 mm x Ø50 mm

Series - DS

New magnetic door stopper



DS 1001
76 mm x Ø32 mm



Code	Size in mm	Pcs per inner box	Pcs per carton
	H x Ø		
DS 1001	76 x 32	5	100

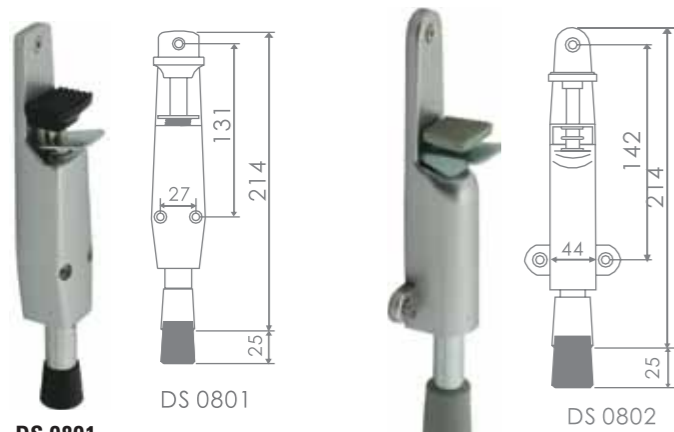
- Has strong construction of Stainless steel 304 grade
- Long lasting finish

Finishes available

- ✦ Hairline finish (matt finish)
- ✦ Polished glossy finish

Series - DS

Foot operated door stopper



DS 0801
131 mm x 27 mm

DS 0802
142 mm x 44 mm

Code	Size in mm	Pcs per inner box	Pcs per carton
	H x Ø		
DS 0801	131 x 27	5	100
DS 0802	142 x 44	5	100

- Has strong construction of stainless steel 304 grade
- Long lasting finish

Series - DS

Plastic magnetic



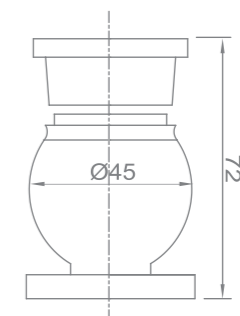
Nylon buffer

Code	Size in inch
DS 1000	1
DS 1002	2.5
DS 1004	3



DS 1003
72 mm x Ø45 mm

Code	Size in mm	Pcs per inner box	Pcs per carton
	H x Ø		
DS 1003	72 x 45	5	100



Material Stainless steel - 304 for all door stoppers except for foot operated door stoppers

Material Aluminium die cast for foot operated door stoppers

Furnished with stainless steel screws

Furnished with stainless steel screws

Solid brass aldrops

Series - 70

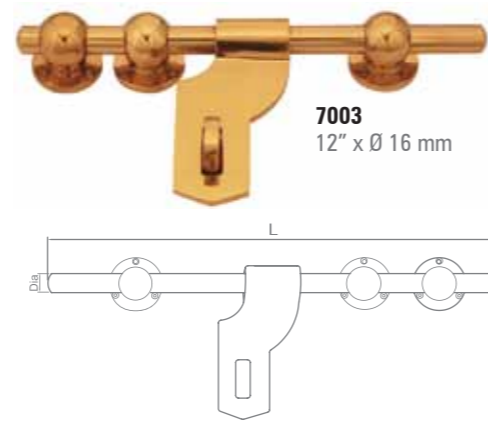
Aldrops

Classic

Code	Size in inch	Size in mm	Pcs per inner box	Pcs per carton
7001	8	203	2	10
7002	10	252	1	10
7003	12	300	1	10
7004	14	350	1	5
7005	16	400	1	5
7006	18	450	1	5

Available Rod sizes

- Ø 5/8" (16 mm)
- Ø 3/4" (19 mm)

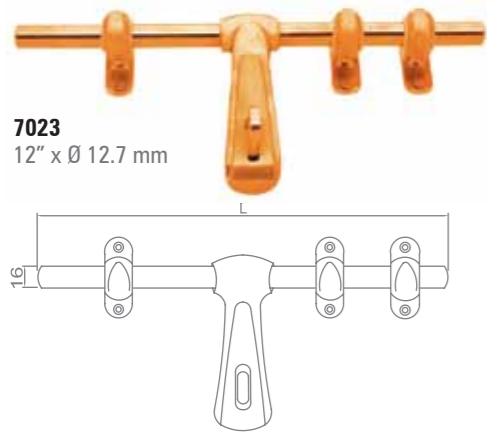


Craft

Code	Size in inch	Size in mm	Pcs per inner box	Pcs per carton
7021	8	203	2	10
7022	10	252	1	10
7023	12	300	1	10
7024	14	350	1	5
7025	16	400	1	5
7026	18	450	1	5

Available Rod sizes

- Ø 1/2" (12.7 mm)
- Ø 5/8" (16 mm)
- Ø 3/4" (19 mm)

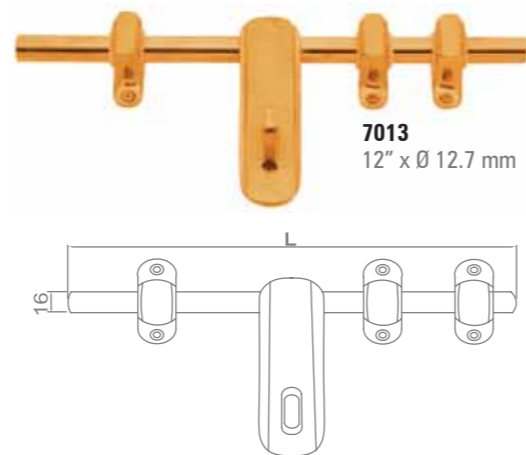


Liner

Code	Size in inch	Size in mm	Pcs per inner box	Pcs per carton
7011	8	203	2	10
7012	10	252	1	10
7013	12	300	1	10
7014	14	350	1	5
7015	16	400	1	5
7016	18	450	1	5

Available Rod sizes

- Ø 1/2" (12.7 mm)
- Ø 5/8" (16 mm)
- Ø 3/4" (19 mm)



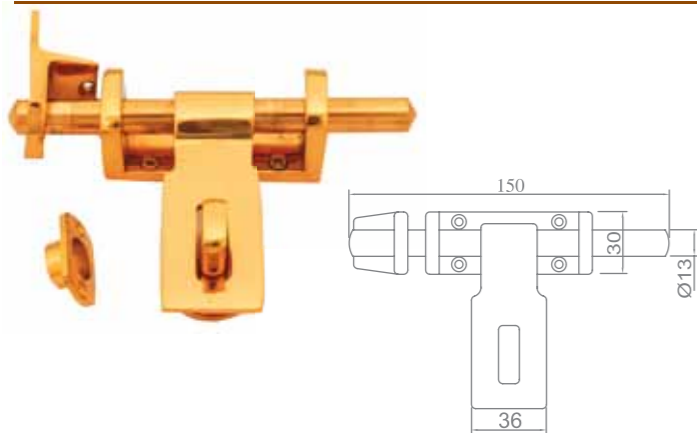
Box type

Code	Size in inch	Size in mm	Pcs per inner box	Pcs per carton
7031	6	152	1	5

Available Rod size

- Ø 1/2" (12.7 mm)

- Complete security
- Traditional design
- Anti-tarnish and Mega finish for longer life
- Comes with the screws in appropriate finish



Furnished with solid brass wood screws in respective finishes

Solid brass tadi

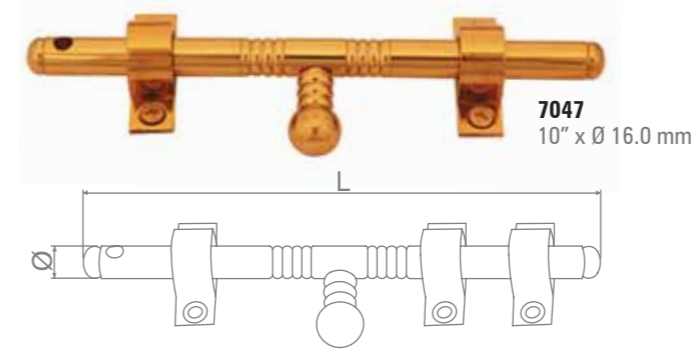
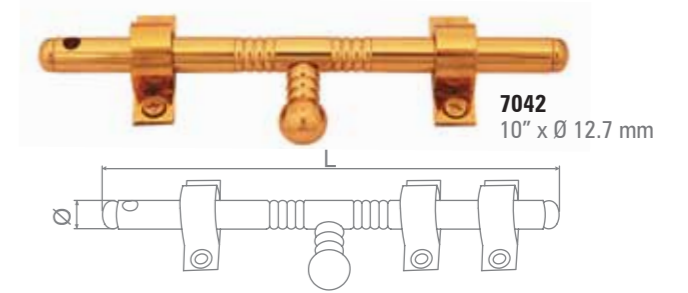


Series - 70

Solid brass tadi

Round (Ø 12.7 mm)

Code	Size inch	Size mm	Pcs per inner box	Pcs per carton
	L x Rod Ø	L x Rod Ø		
7041	8 x 1/2	203 x 12.7	5	20
7042	10 x 1/2	252 x 12.7	5	50
7043	12 x 1/2	300 x 12.7	5	50

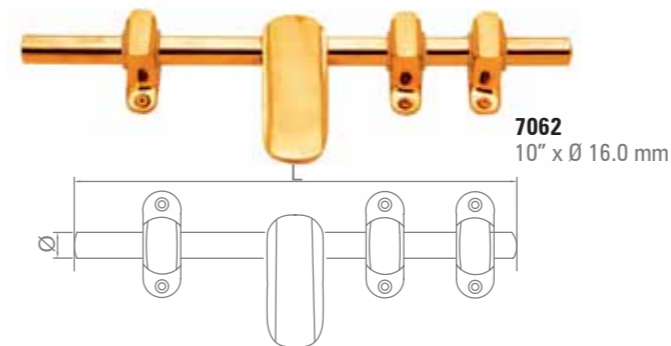
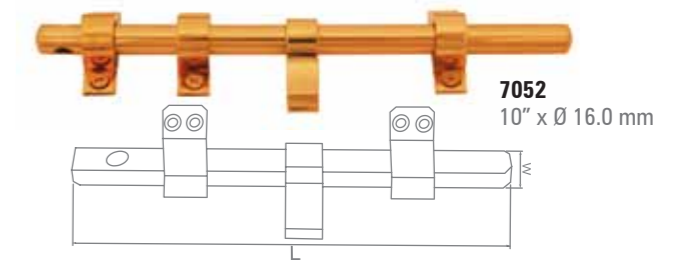


Round (Ø 16.0 mm)

Code	Size inch	Size mm	Pcs per inner box	Pcs per carton
	L x Rod Ø	L x Rod Ø		
7046	8 x 5/8	203 x 16.0	5	20
7047	10 x 5/8	252 x 16.0	5	50
7048	12 x 5/8	300 x 16.0	5	50

Flat (Ø 16.0 mm)

Code	Size inch	Size mm	Pcs per inner box	Pcs per carton
	L x Rod Ø	L x Rod Ø		
7051	8 x 5/8	203 x 16.0	5	20
7052	10 x 5/8	252 x 16.0	5	50
7053	12 x 5/8	300 x 16.0	5	50

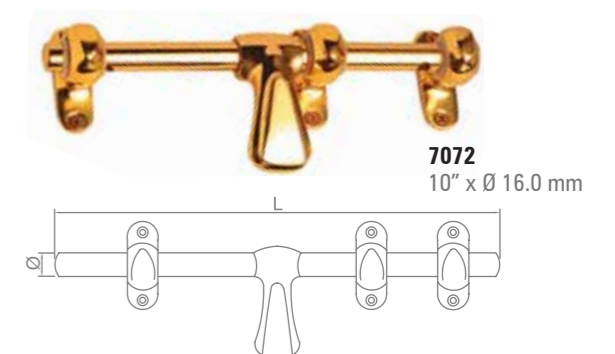


Linear (Ø 16.0 mm)

Code	Size inch	Size mm	Pcs per inner box	Pcs per carton
	L x Rod Ø	L x Rod Ø		
7061	8 x 5/8	203 x 16.0	5	20
7062	10 x 5/8	252 x 16.0	5	50
7063	12 x 5/8	300 x 16.0	5	50

Craft (Ø 16.0 mm)

Code	Size inch	Size mm	Pcs per inner box	Pcs per carton
	L x Rod Ø	L x Rod Ø		
7071	8 x 5/8	203 x 16.0	5	20
7072	10 x 5/8	252 x 16.0	5	50
7073	12 x 5/8	300 x 16.0	5	50



- Complete security
- Traditional design
- Anti-tarnish and Mega finish for longer life
- Comes with the screws in appropriate finish

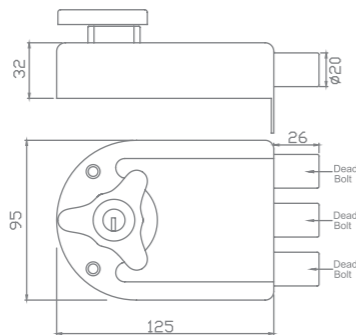
Tri-shoot bolt

Series - TS

Tri - shoot dead bolt



101 TS
Tri - shoot dead bolt with 4 dimple key (with inside lock)



103 TS
Tri - shoot dead bolt with 4 dimple key (without inside lock)

Advantages

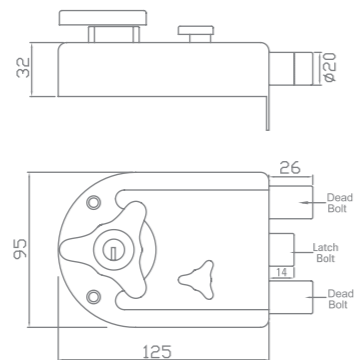
- Strong security with three solid brass dead bolts with Anti-Drill pin
- Four non-duplicable dimple keys with multi raw 14 pairs pin cylinder
- Over one million keys combinations
- Keys made from Nickel silver which is strong and rust proof
- 3,00,000 opening closing cycle tested
- Three stroke movement of bolts for more security
- Can be locked from Inside for extra security for children and servant
- 3 access knobs for convenient gripping
- 3 Solid brass dead bolts with Anti-Drill pin
- 3 Stroke movement, 25 mm
- Four non-duplicable dimple keys with multi raw 14 pairs pin cylinder
- Keys made from Nickel silver, strong and rust proof
- Over one million keys combinations
- Keys made from Nickel silver which is strong and rust proof
- 3,00,000 opening closing cycles tested
- Three stroke movement of bolts for more security

Series - TL

Tri - shoot night latch



102 TL
Tri-shoot latch action with 4 dimple key (with inside lock)



104 TL
Tri-shoot latch action with 4 dimple key (without inside lock)

Available in

Advantages

- Strong security with three solid brass dead bolt with Anti-Drill pin
- Four non-duplicable dimple keys with multi raw 14 pairs pin cylinder
- Over one million keys combinations
- Keys made from Nickel silver which is strong and rust proof
- 3,00,000 opening closing cycles tested
- Three stroke movement of bolts for more security
- Can be locked from inside for extra security for children and servant
- With latch action the door always remains in locked position when it is closed

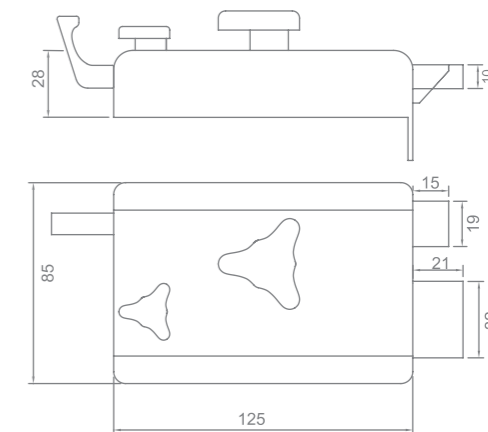


Series - SL

Safety latch



111 SL
Safety Latch with normal 3 keys



112 SL
Safety Latch with 4 Dimple key

Suitable for

- Main entrance door in residences and institutes
- Left hand and right hand doors
- 30 mm to 90 mm thick doors
- Both inside and outside opening doors

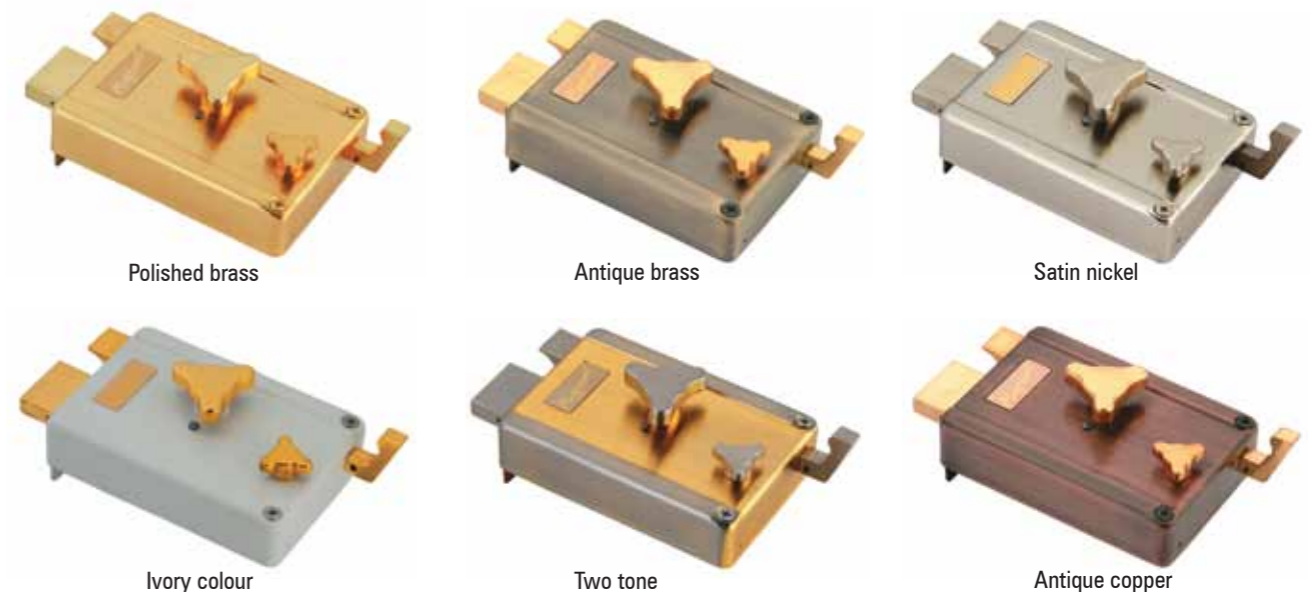
Features

- 3 access knobs for convenient gripping
- Brass latch bolt and Brass dead bolt
- Double stroke dead bolt with 20 mm stroke
- Convenient safety knob provides door hold back feature, preventing accidental door closing
- Brass cylinder rose and keys all are corrosion resistant parts
- Scratch - proof powder coated / lacquare coated finish on body
- Inside knob operates deadbolt and serves as door pull
- Over 1 million combinations
- 14 locking pins
- 300000 opening / closing cycle tested

Advantages

- Solid Brass Latch and Door Bolts
- Double Strong dead bolt for extra Security
- Latch hold back feature which prevent accidental door closing
- Over one million key combinations with 14 locking pins
- 3,00,000 opening / closing cycle tested
- Suitable for 30mm to 90mm thick door

Available in

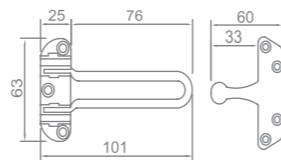
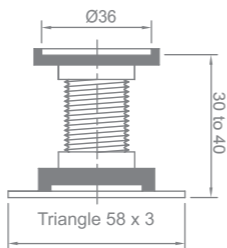
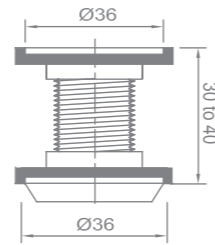
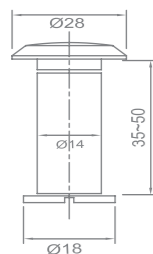
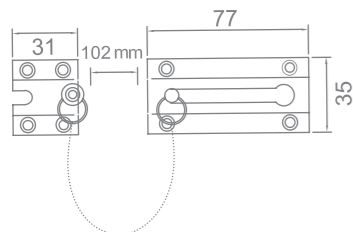
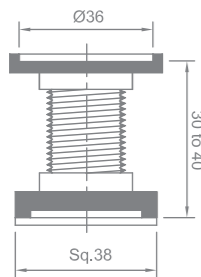


Solid brass door accessories

Series - 71

Door accessories

Code	Description	Size	Pcs per inner box	Pcs per carton
7101	Door viewer - Round	30 - 40 mm 180°	20	200
7102	Door viewer - Square	30 - 40 mm 180°	20	200
7103	Door viewer - Triangular	30 x 40 mm 180°	20	200
7106	Door chain	4" (102 mm)	10	200
7111	Door guard	4" (102 mm)	5	100
6001	Dust proof socket	Ø28 mm	10	200



- Unique security devices
- Furnished with solid brass wood screws in respective finishes
- Anti-tarnish and Mega finish for longer life

Solid brass door accessories



Series - 65

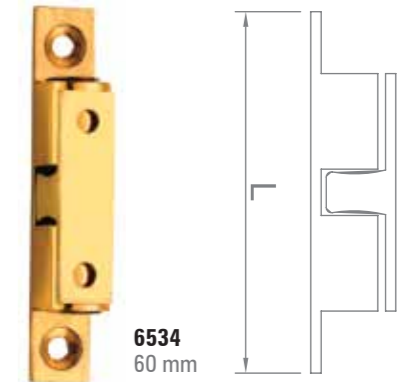
Ball catchers



Single ball catchers

Code	Size in inch	Pcs per inner box	Pcs per outer box
6541	1/4	100	800
6542	5/16	100	800
6543	3/8	100	800
6544	1/2	50	400
6545	5/8	50	400
6546	3/4	50	400
6547	1	25	200

- Furnished with solid brass wood screws in respective finishes
- Anti-tarnish and Mega finish for longer life

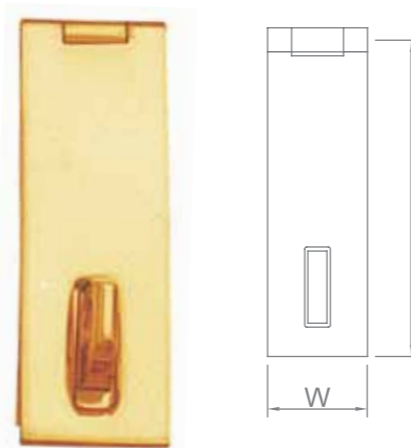


Double ball catchers

Code	Size in mm	Pcs per inner box	Pcs per outer box
6531	40	100	800
6532	44	100	800
6533	49	100	800
6534	60	50	400
6535	70	50	400

Series - 65

Solid brass hasp and staples



6559
3" x 1"
heavy

Light				
Code	Size in inch	Size in mm	Pcs per inner box	Pcs per outer box
	L x W	L x W		
6551	1.1/2 x 3/4	38 x 19	20	160
6552	2 x 3/4	52 x 19	20	160
6553	2.1/2 x 3/4	64 x 19	20	160
6554	3 x 3/4	76 x 19	10	80
6555	3 x 1	76 x 25	10	80
6556	4 x 1	102 x 25	10	80
Heavy				
Code	Size in inch	Size in mm	Pcs per inner box	Pcs per outer box
	L x W	L x W		
6557	2 x 1	52 x 25	20	160
6558	2.1/2 x 1	64 x 25	20	160
6559	3 x 1	76 x 25	10	80
6560	4 x 1	102 x 25	10	80

Series - 65

Solid brass pipe socket

Code	Size in mm	Pcs per inner box	Pcs per outer box
6561	20 x 20 x 30	25	200
6562	20 x 20 x 40	20	160
6563	20 x 20 x 45	20	160
6564	20 x 20 x 50	20	160
6565	25 x 20 x 50	20	160

- Furnished with solid brass wood screws in respective finishes
- Anti-tarnish and Mega finish for longer life



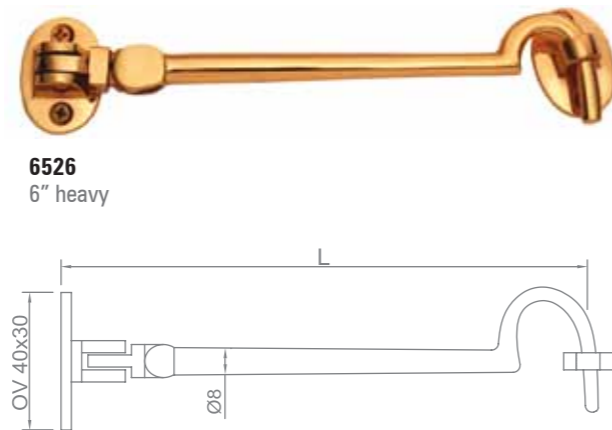
6561
20 x 20 x 30 mm

Solid brass cabin hooks

Series - 65

Heavy

Code	Length in		Pcs per inner box	Pcs per carton
	inch	mm		
6522	2	52	10	200
6523	3	76	10	200
6524	4	102	10	200
6525	5	126	10	100
6526	6	152	5	100
6528	8	203	5	100
6529	10	253	5	60



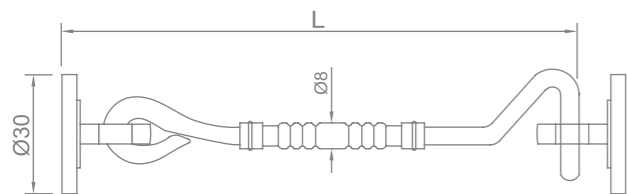
6526
6" heavy

Series - 65

Decorative heavy



6506
6" Deco heavy



Code	Length in		Pcs per inner box	Pcs per carton
	inch	mm		
6504	4	102	10	200
6506	6	152	10	200
6508	8	203	10	200
6510	10	253	6	72
6511	12	305	6	72

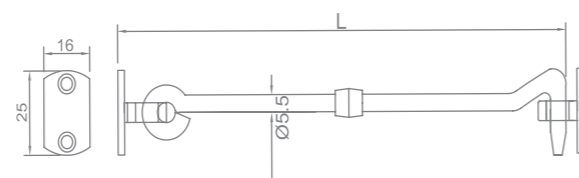
Series - 65

light

Code	Length in		Pcs per inner box	Pcs per carton
	inch	mm		
6512	2.5	64	10	200
6513	3	76	10	200
6514	4	102	10	200
6516	6	152	10	200
6518	8	203	10	200



6514
4" Light

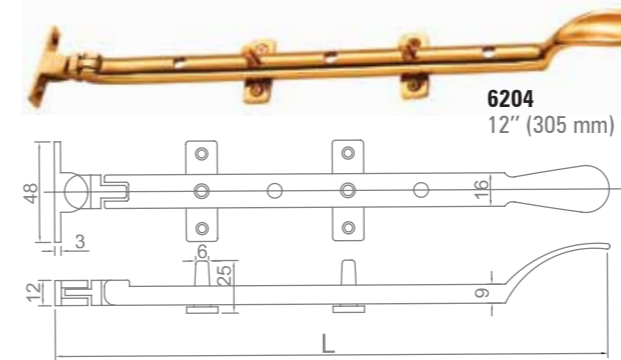


- Furnished with solid brass wood screws in respective finishes
- Anti-tarnish and Mega finish for longer life
- Great utility
- Traditional look

Solid brass casement stays

Series - 62

Victorian heavy stay

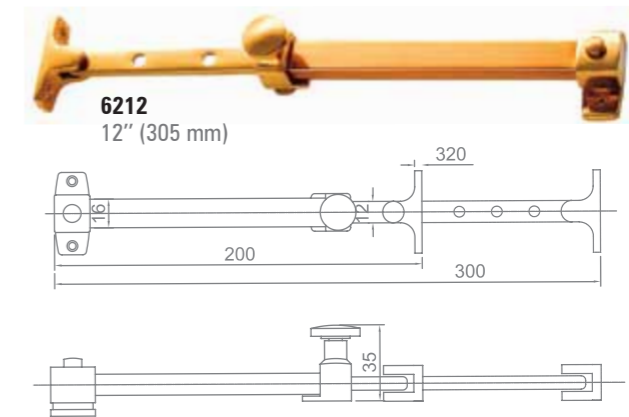


6204
12" (305 mm)

Victorian heavy stay				
Code	Size in		Pcs per inner box	Pcs per carton
	inch	mm		
6200	8	203	5	100
6203	10	253	5	50
6204	12	305	5	50

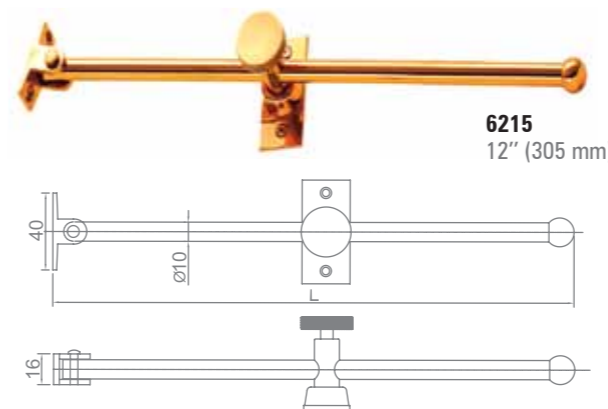
Telescopic stay

Telescopic stay				
Code	Size in		Pcs per inner box	Pcs per carton
	inch	mm		
6211	10	253	5	50
6212	12	305	5	50



6212
12" (305 mm)

Round adjuster

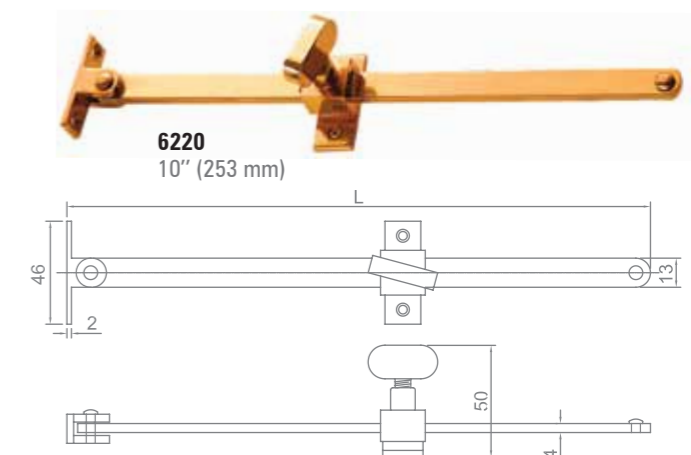


6215
12" (305 mm)

Round adjuster				
Code	Size in		Pcs per inner box	Pcs per carton
	inch	mm		
6213	9	228	5	50
6214	10	253	5	50
6215	12	305	5	50
6216	14	356	5	50

Flat stay

Flat stay				
Code	Size in		Pcs per inner box	Pcs per carton
	inch	mm		
6219	8	203	5	50
6220	10	253	5	50
6221	12	305	5	50
6222	14	356	5	25



6220
10" (253 mm)

Solid brass casement stays

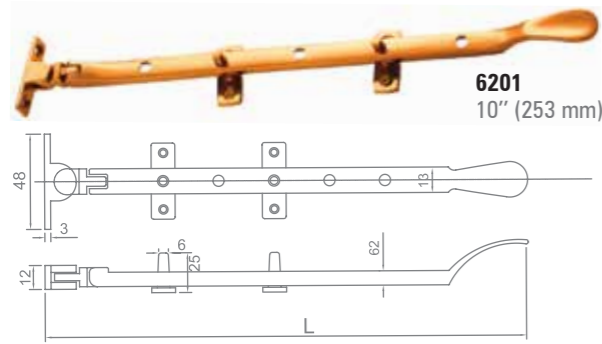
Solid brass casement shutter bar

Series - 62

Victorian light stay

Series - 62

Shutter bar



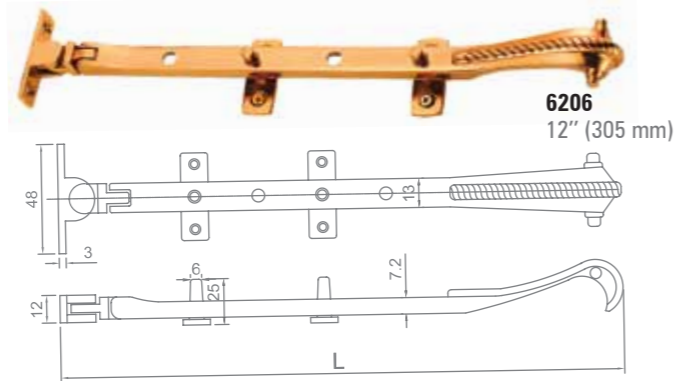
Victorian light stay

Code	Size in		Pcs per inner box	Pcs per carton
	inch	mm		
6201	10	253	5	50
6202	12	305	5	50

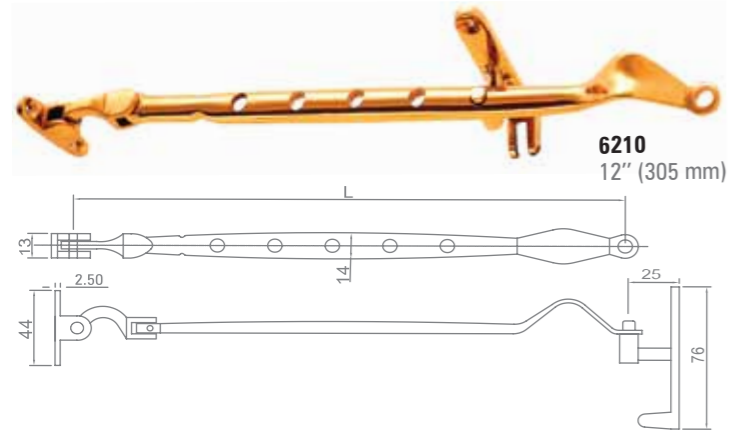
Georgian stay

Georgian stay

Code	Size in		Pcs per inner box	Pcs per carton
	inch	mm		
6205	10	253	5	50
6206	12	305	5	50



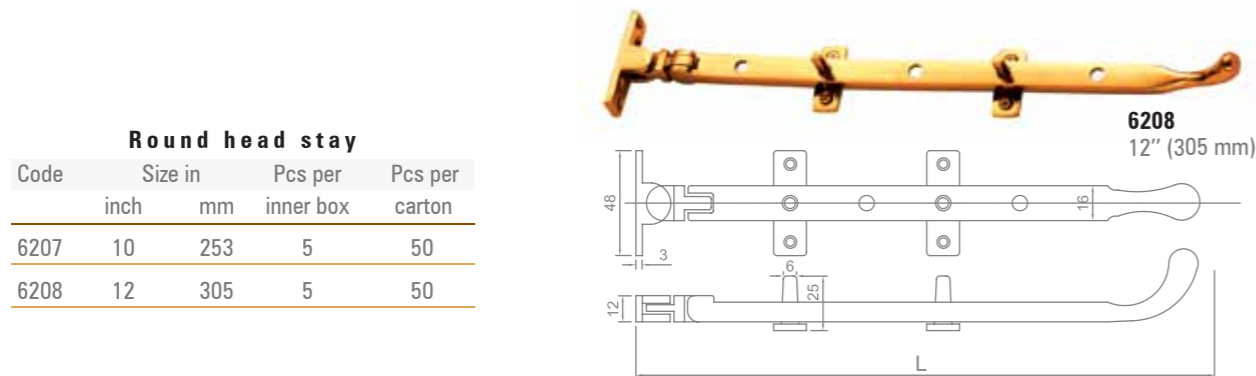
Side mount stay



Side mount stay

Code	Size in		Pcs per inner box	Pcs per carton
	inch	mm		
6209	10	253	5	50
6210	12	305	5	50

Round head stay



Round head stay

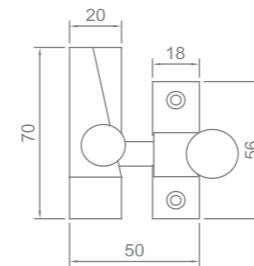
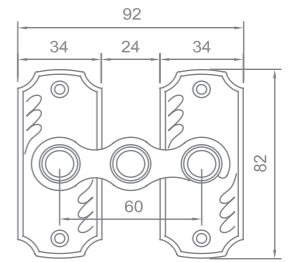
Code	Size in		Pcs per inner box	Pcs per carton
	inch	mm		
6207	10	253	5	50
6208	12	305	5	50

Furnished with solid brass wood screws in respective finishes



Code	Description	Size in mm	Pcs per inner box	Pcs per carton
------	-------------	------------	-------------------	----------------

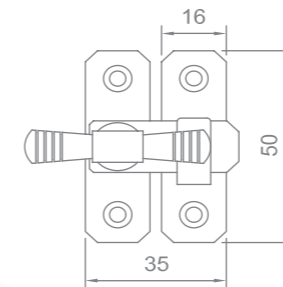
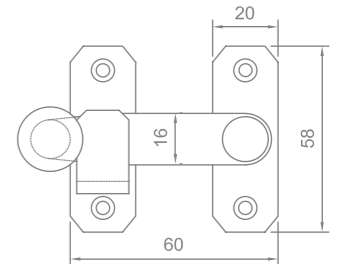
6231 Decorative shutter bar 60 5 100



6232 Sash type shutter bar 50 5 100



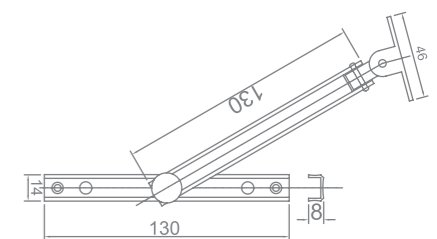
6235 Plain type shutter bar 60 5 100



6234 Ring type shutter bar 35 5 100



6226 Folding stay 130 5 50



- Furnished with solid brass wood screws in respective finishes
- Anti-tarnish and Mega finish for longer life
- Great utility
- Traditional look

Solid brass casement fasteners

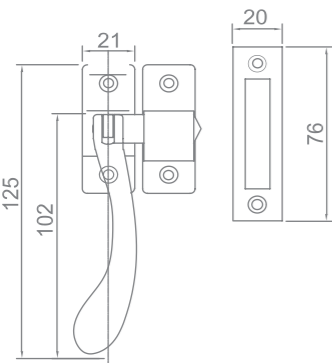
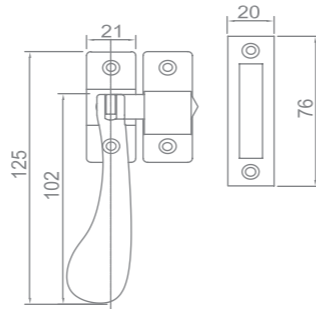
Series - 62

Casement fasteners

Code	Description	Size in		Pcs per inner box	Pcs per carton
		inch	mm		



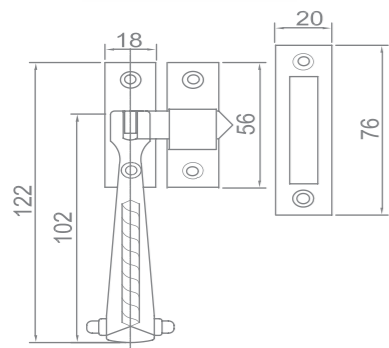
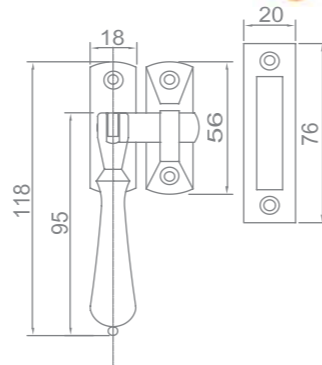
6253	Victorian heavy	4	102	4	100
------	-----------------	---	-----	---	-----



6255	Round head	4	102	4	100
------	------------	---	-----	---	-----



6256	Tear drop	4	95	4	100
------	-----------	---	----	---	-----



6254	Georgian heavy	4	102	4	100
------	----------------	---	-----	---	-----



- Furnished with solid brass wood screws in respective finishes
- Anti-tarnish and Mega finish for longer life
- Great utility
- Traditional look

Solid brass casement fasteners



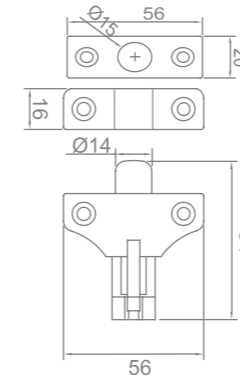
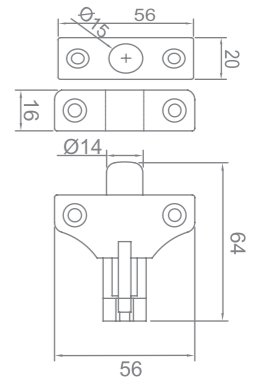
Series - 62

Casement fasteners

Code	Description	Size in		Pcs per inner box	Pcs per carton
		inch	mm		



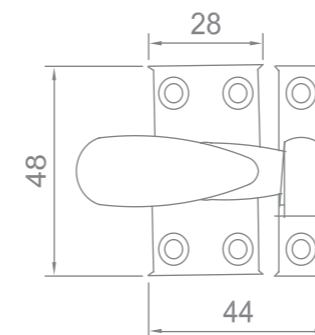
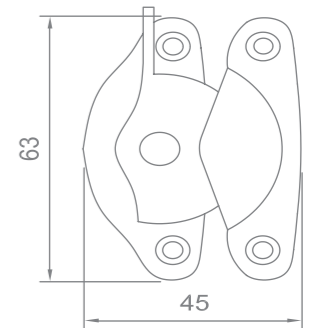
6263	Fanlight catch (B) (Outside)	2.1/2	64	5	100
------	---------------------------------	-------	----	---	-----



6262	Fanlight catch (A) (Inside)	2.1/2	64	5	100
------	--------------------------------	-------	----	---	-----



6260	Fitch type	2	63	5	100
------	------------	---	----	---	-----



6261	Cute type	2	48	5	100
------	-----------	---	----	---	-----



- Furnished with solid brass wood screws in respective finishes
- Anti-tarnish and Mega finish for longer life
- Great utility
- Traditional look

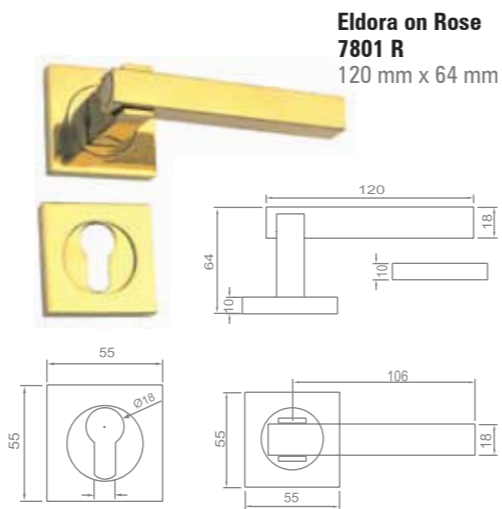
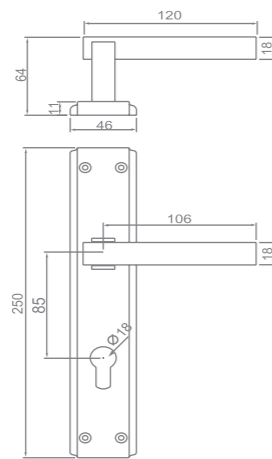
Forged brass lever handles

Series - 78

Brass lever handles

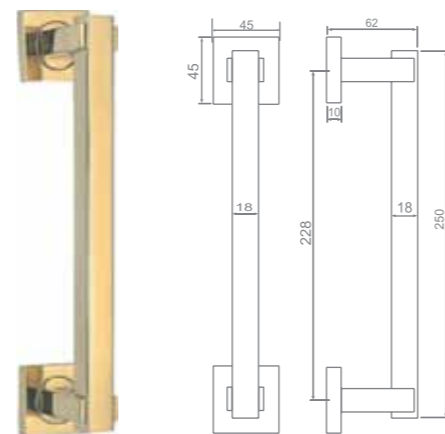


**Eldora on plate
7801 P 10**
250 mm x 46 mm
C to C 85 mm

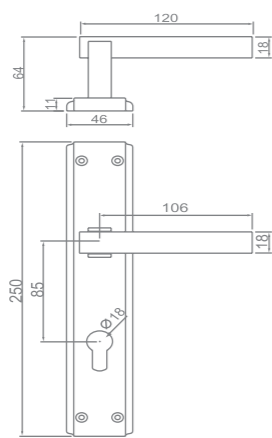


**Eldora on Rose
7801 R**
120 mm x 64 mm

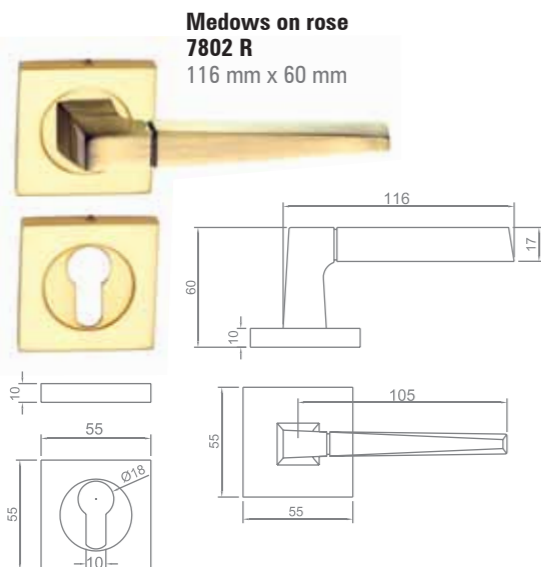
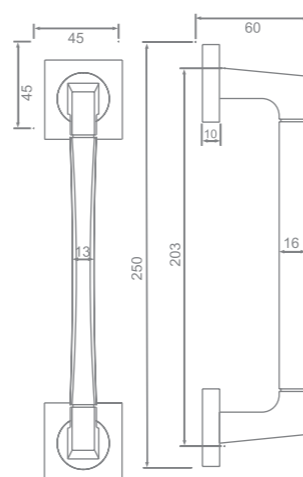
**Eldora pull handle
7801 H 09**
C to C 228 mm



**Medows on plate
7802 P 10**
250 mm x 46 mm
C to C 85 mm



**Medows pull handle
7802 H 08**
C to C 200 mm



**Medows on rose
7802 R**
116 mm x 60 mm

Forged brass lever handles

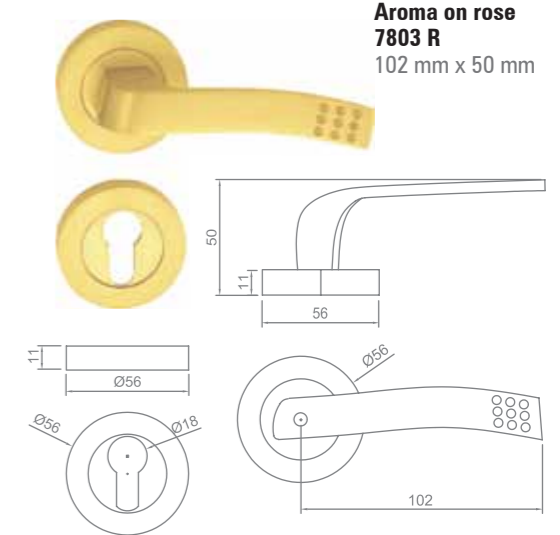
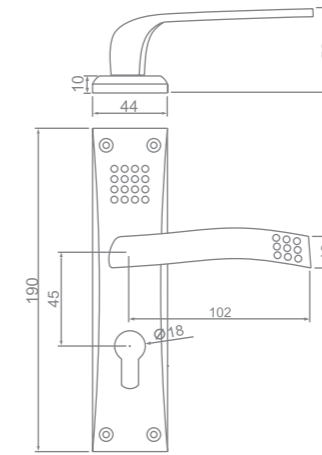


Series - 78

Brass lever handles



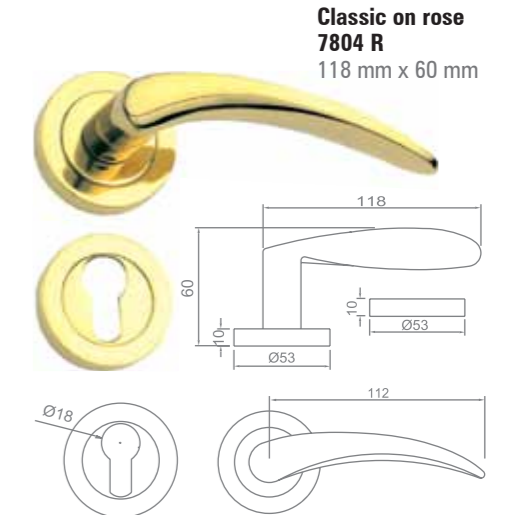
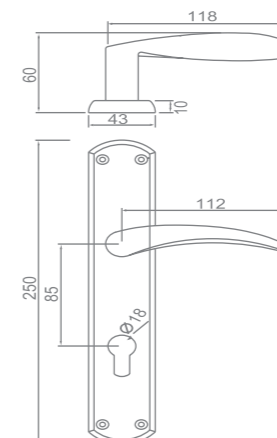
**Aroma on plate
7803 P 08**
190 mm x 44 mm
C to C 45 mm x 60 mm



**Aroma on rose
7803 R**
102 mm x 50 mm



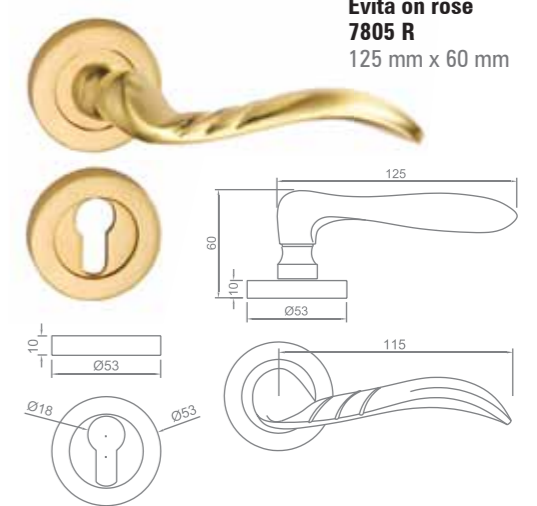
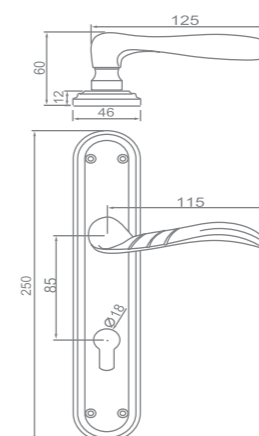
**Classic on plate
7804 P 10**
250 mm x 43 mm
C to C 85 mm



**Classic on rose
7804 R**
118 mm x 60 mm



**Evita on plate
7805 P 08**
250 mm x 46 mm
C to C 85 mm



**Evita on rose
7805 R**
125 mm x 60 mm

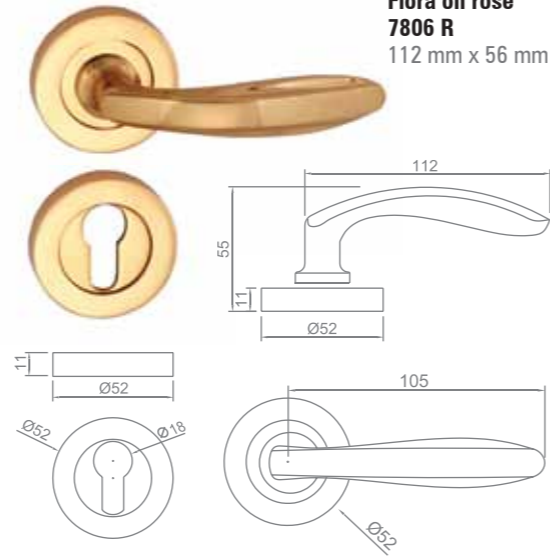
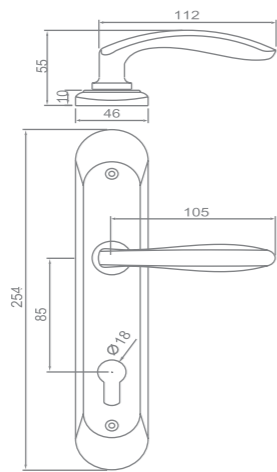
Forged brass lever handles

Series - 78

Brass lever handles



**Flora on plate
7806 P 10**
254 mm x 48 mm
C to C 85 mm



**Flora on rose
7806 R**
112 mm x 56 mm

Forged brass lever handles

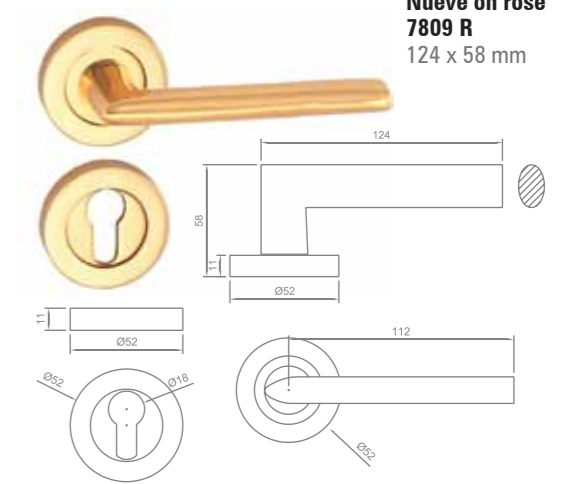
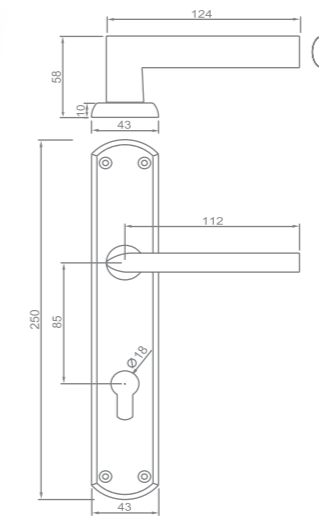


Series - 78

Brass lever handles



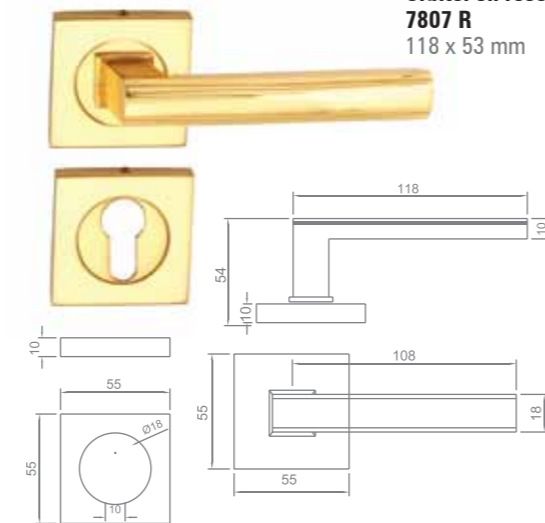
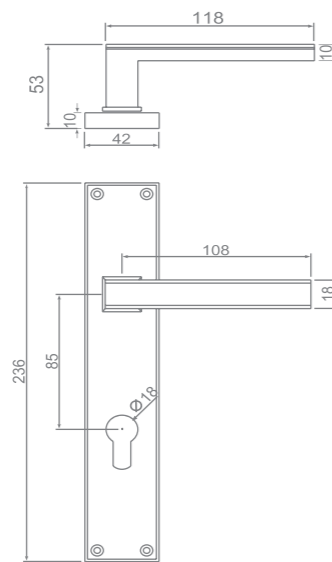
**Nueve on plate
7809 P 10**
250 mm x 43 mm
C to C 85 mm



**Nueve on rose
7809 R**
124 x 58 mm



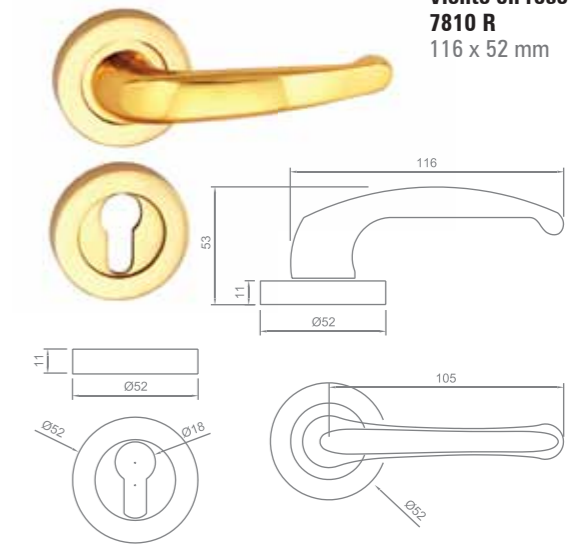
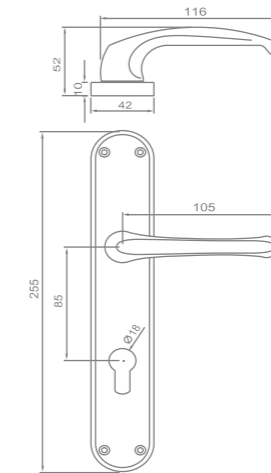
**Orbitel on plate
7807 P 09**
236 mm x 42 mm
C to C 85 mm



**Orbitel on rose
7807 R**
118 x 53 mm



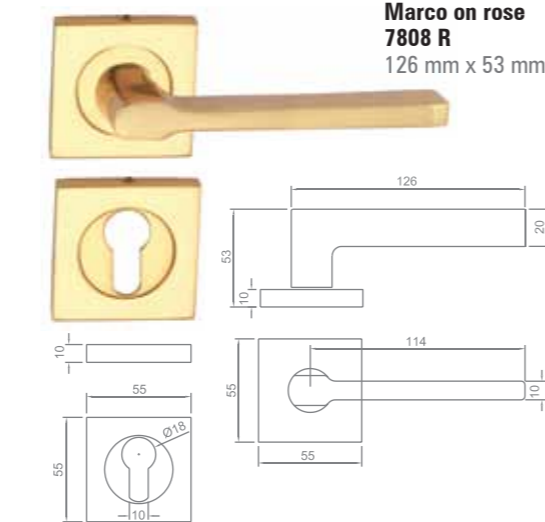
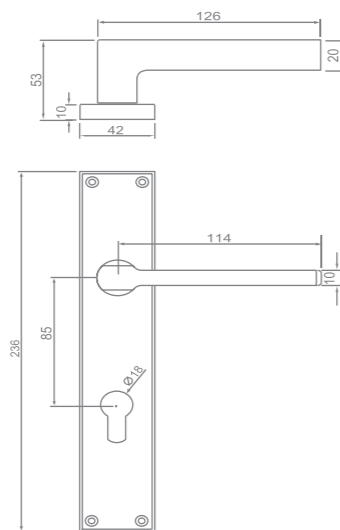
**Viente on plate
7810 P 10**
255 mm x 42 mm
C to C 85 mm



**Viente on rose
7810 R**
116 x 52 mm



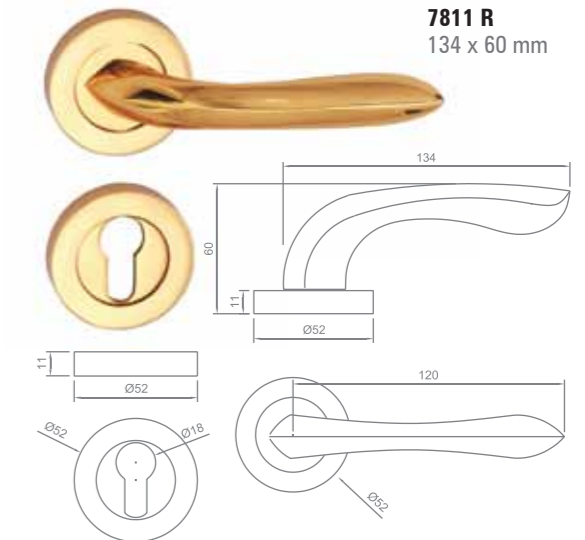
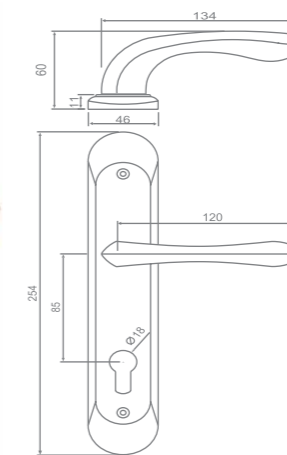
**Marco on plate
7808 P 09**
236 mm x 42 mm
C to C 85 mm



**Marco on rose
7808 R**
126 mm x 53 mm



**Bonita on plate
7811 P 10**
254 mm x 46 mm
C to C 85 mm



**Bonita on rose
7811 R**
134 x 60 mm

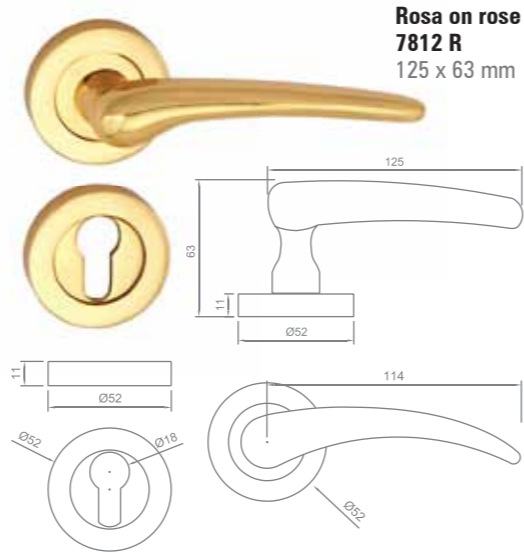
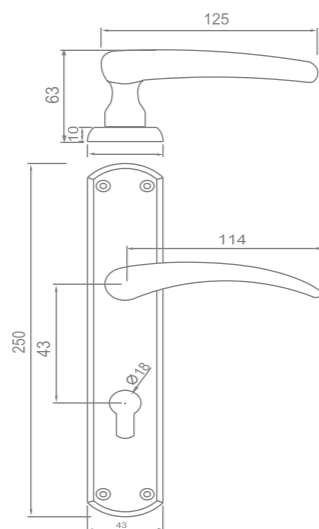
Forged brass lever handles

Series - 78

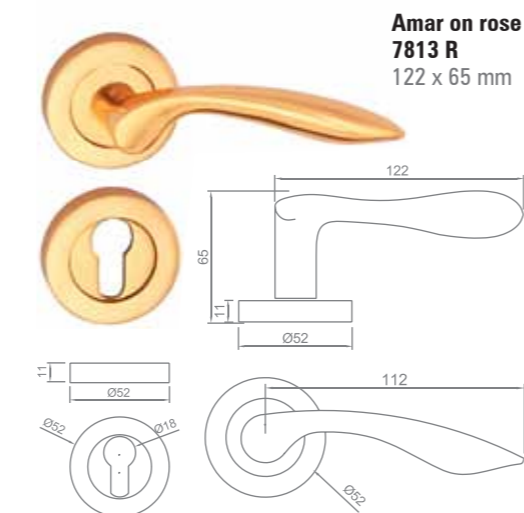
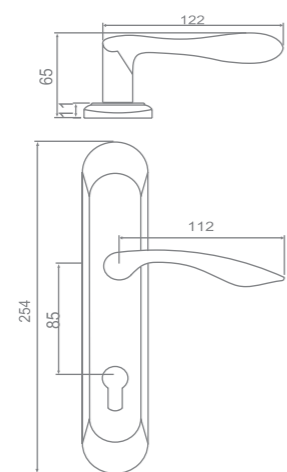
Brass lever handles



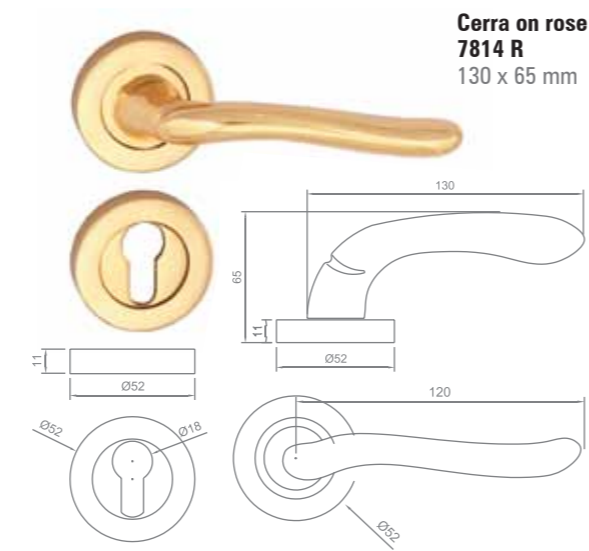
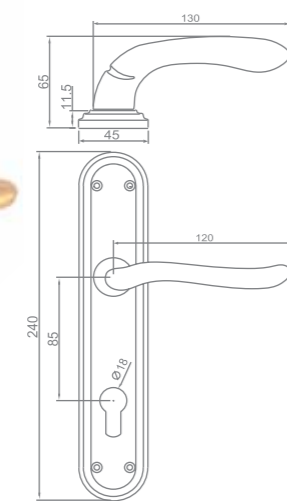
**Rosa on plate
7812 P 10**
250 mm x 43 mm
C to C 85 mm



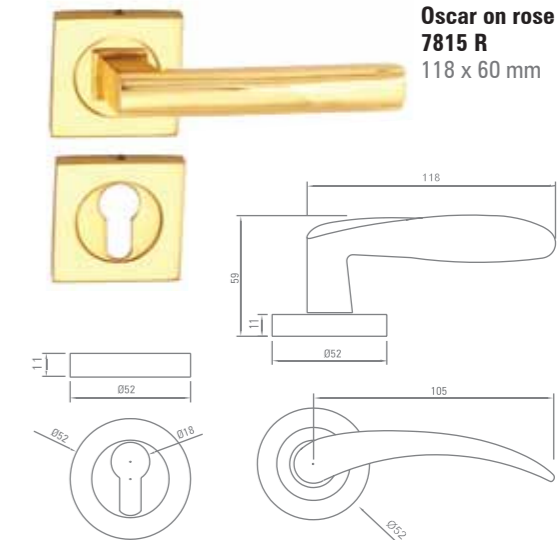
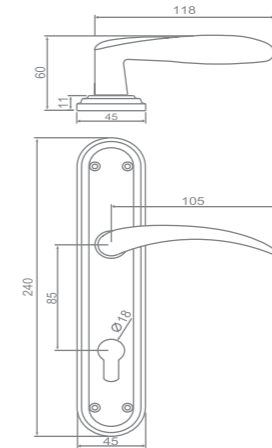
**Amar on plate
7813 P 10**
254 mm x 46 mm
C to C 85 mm



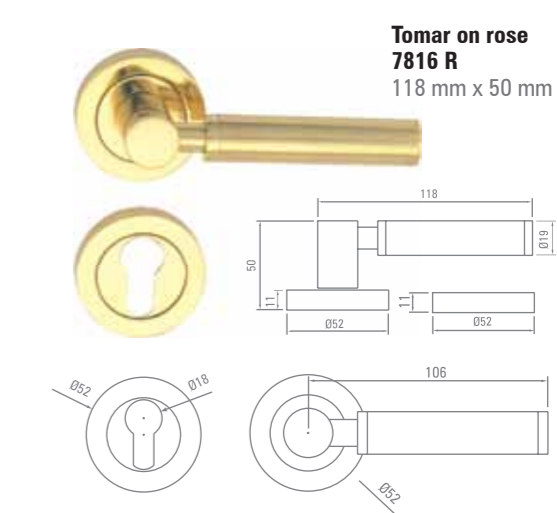
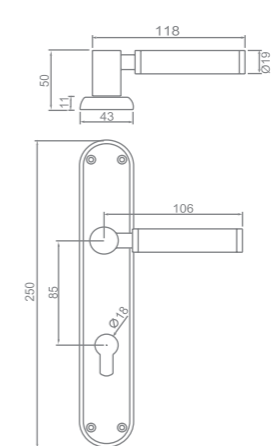
**Cerra on plate
7814 P 10**
240 mm x 45 mm
C to C 85 mm



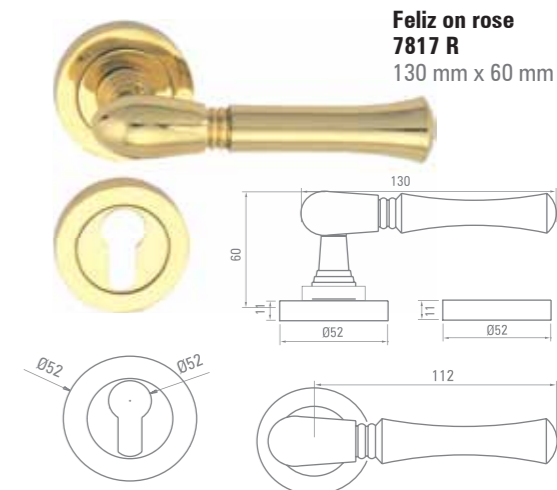
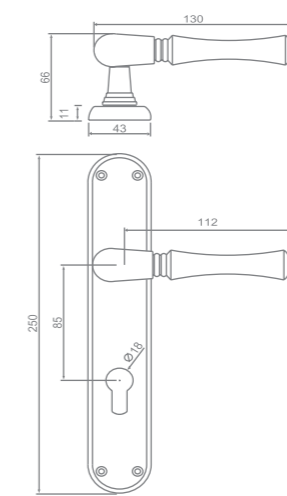
**Oscar on plate
7815 P 10**
240 mm x 45 mm
C to C 85 mm



**Tomar on plate
7816 P 10**
250 mm x 43 mm
C to C 85 mm



**Feliz on plate
7817 P 10**
250 mm x 43 mm
C to C 85 mm



Forged brass lever handles

Series - 78

Brass lever handles

Forged brass lever handles

Series - 78

Brass lever handles

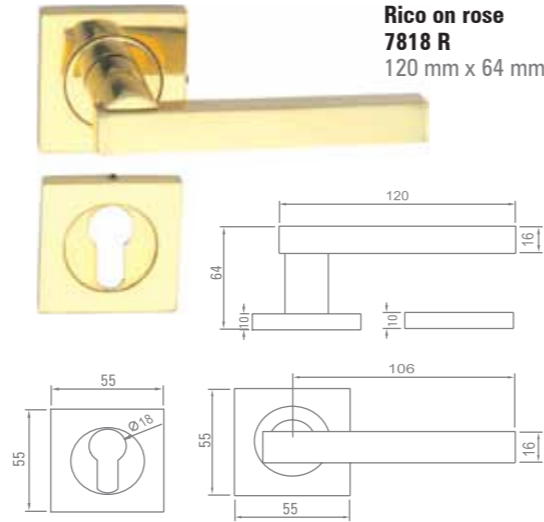
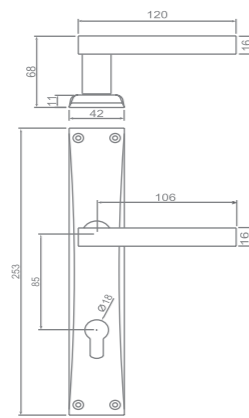
Forged brass lever handles

Series - 78

Brass lever handles



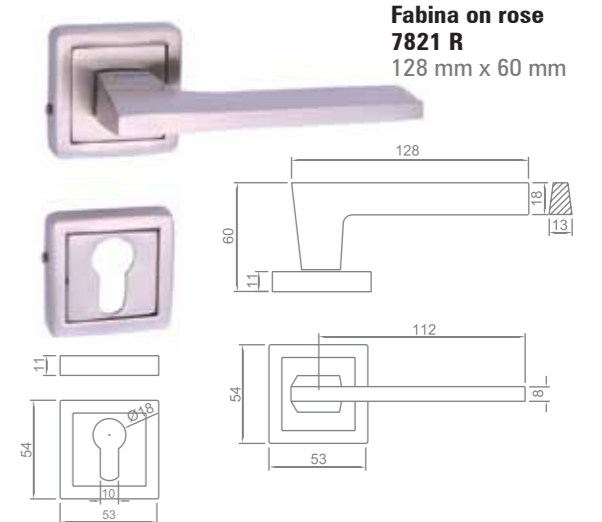
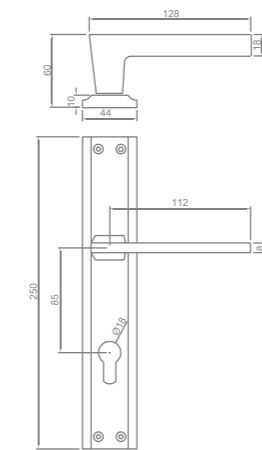
**Rico on plate
7818 P 10**
253 mm x 42 mm
C to C 85 mm



**Rico on rose
7818 R**
120 mm x 64 mm



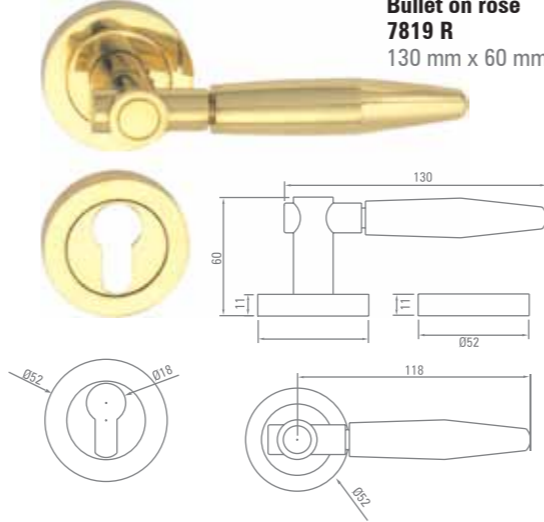
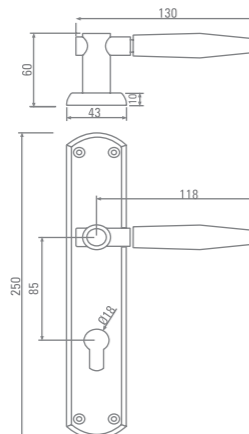
**Fabina on plate
7821 P 10**
250 mm x 44 mm
C to C 85 mm



**Fabina on rose
7821 R**
128 mm x 60 mm



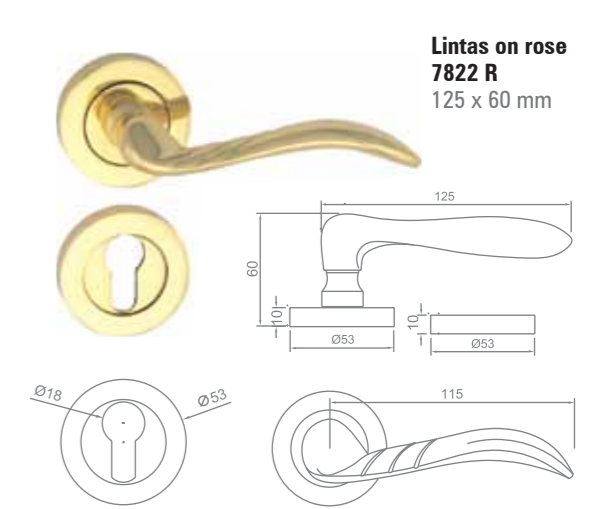
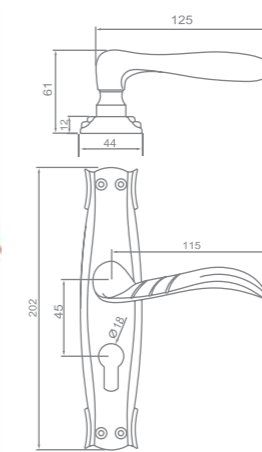
**Bullet on plate
7819 P 10**
250 mm x 43 mm
C to C 85 mm



**Bullet on rose
7819 R**
130 mm x 60 mm



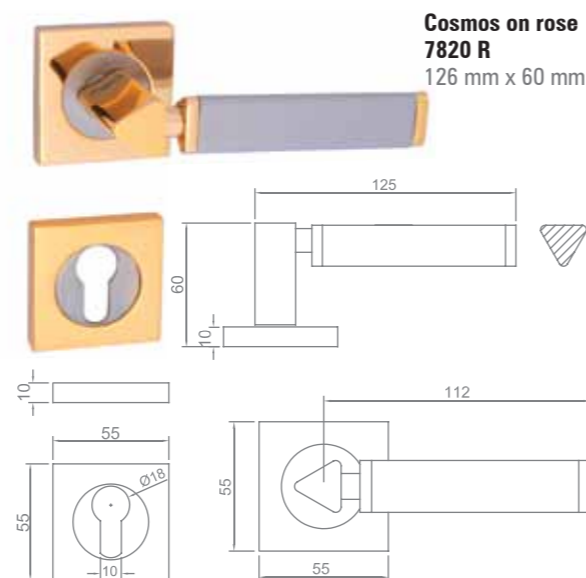
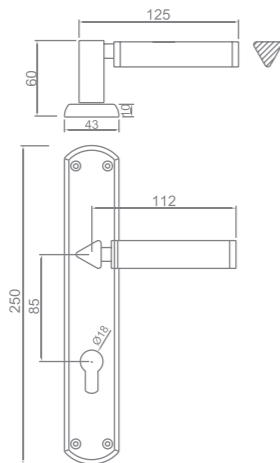
**Lintas on plate
7822 P 08**
202 mm x 44 mm
C to C 45 mm x 60 mm



**Lintas on rose
7822 R**
125 x 60 mm



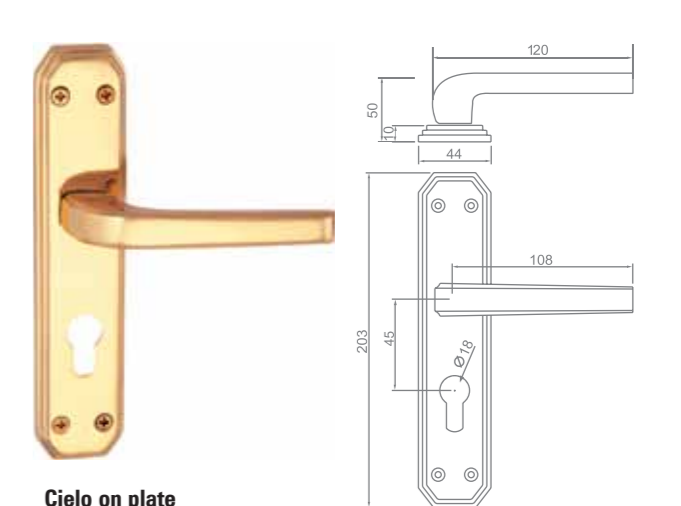
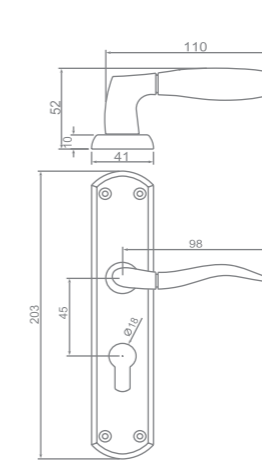
**Cosmos on plate
7820 P 10**
250 mm x 43 mm
C to C 85 mm



**Cosmos on rose
7820 R**
126 mm x 60 mm



**Claro on plate
7823 P 08**
203 mm x 41 mm
C to C 45 mm x 60 mm

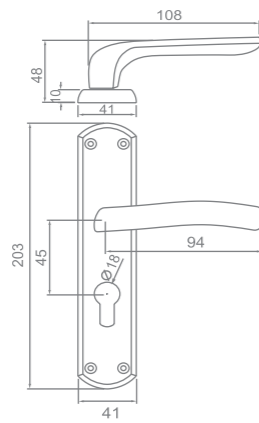


**Cielo on plate
7824 R**
203 mm x 44 mm
C to C 45 mm

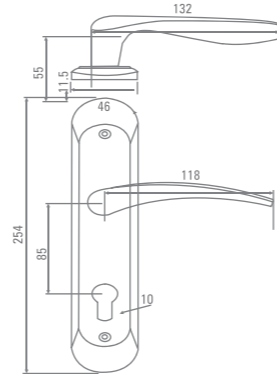
Forged brass lever handles

Series - 78

Brass lever handles



Alto on plate
7825 P 08
203 mm x 41 mm
C to C 45 mm x 60 mm

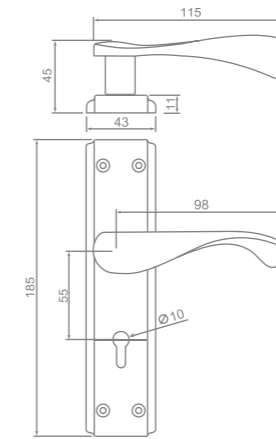


Jasper on plate
7826 P 10
254 mm x 46 mm

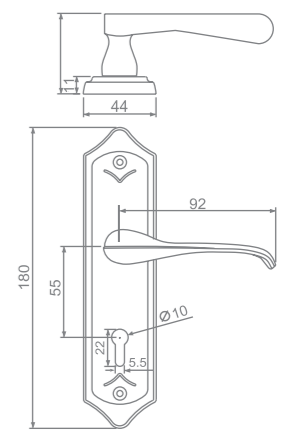
Forged brass lever handles

Series - 78

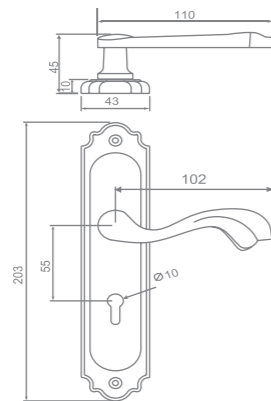
Brass lever handles



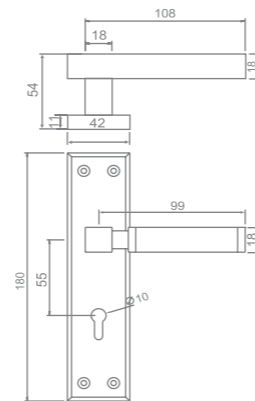
Riva on plate
7831 P 07
185 mm x 43 mm



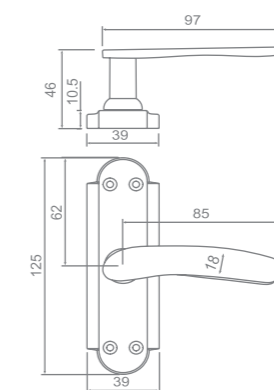
Spenta on plate
7832 P 07
180 mm x 44 mm



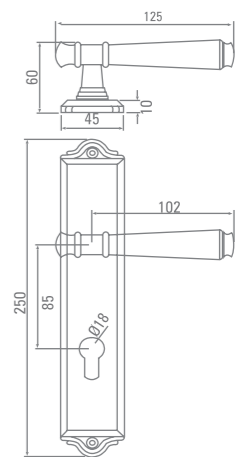
Orchid on plate
7827 P 08
203 mm x 43 mm



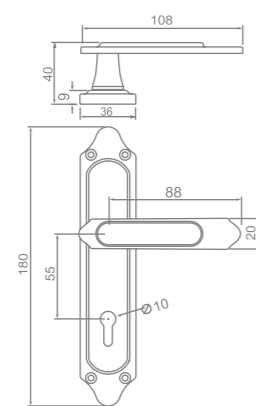
Chelsia on plate
7828 P 07
180 mm x 42 mm



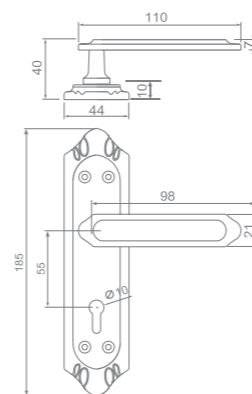
Evelina on plate
7833 P 05
125 mm x 39 mm



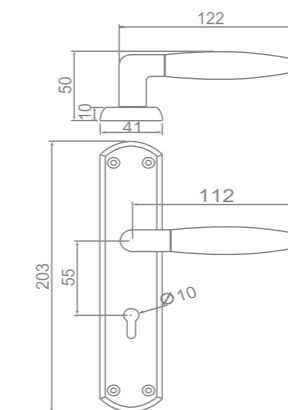
Escort on plate
7834 P 10
250 mm x 45 mm
C to C 85 mm



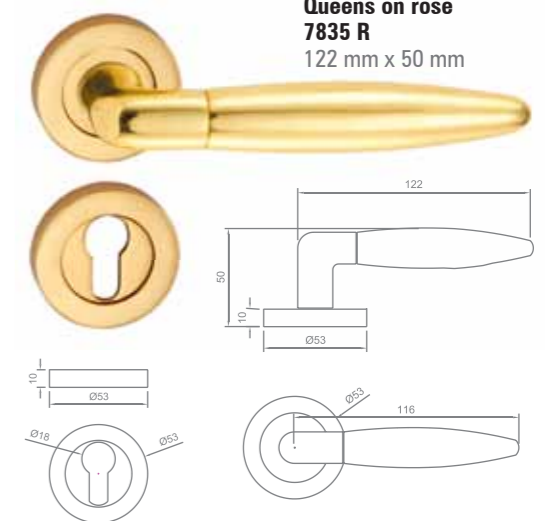
Olumpia on plate
7829 P 07
180 mm x 36 mm



Somerset on plate
7830 P 07
185 mm x 44 mm



Queens on plate
7835 P 08
203 mm x 41 mm

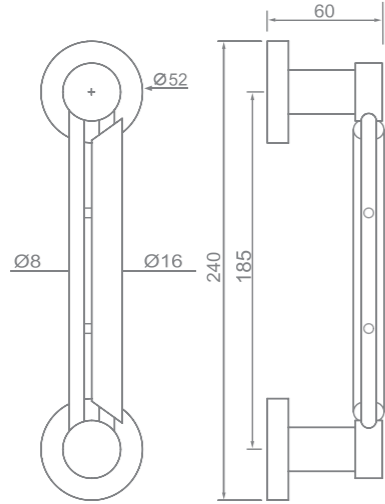


Queens on rose
7835 R
122 mm x 50 mm

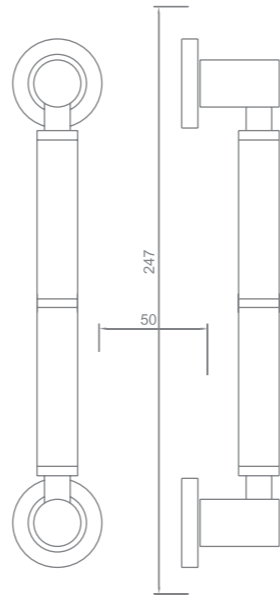
Forged brass pull handles

Series - 78

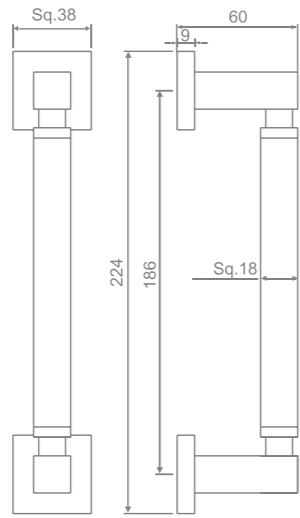
Brass pull handles



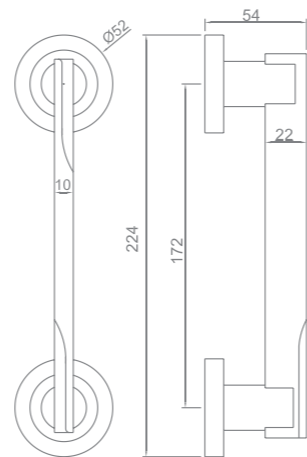
Doublee
7836 H 07
185 mm
(C to C)



Tomar
7816 H 10
247 mm



Squaro
7837 H 07
186 mm
(C to C)



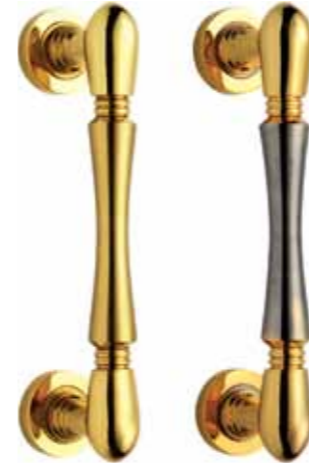
Kesper
7838 H 07
172 mm
(C to C)

Forged brass pull handles

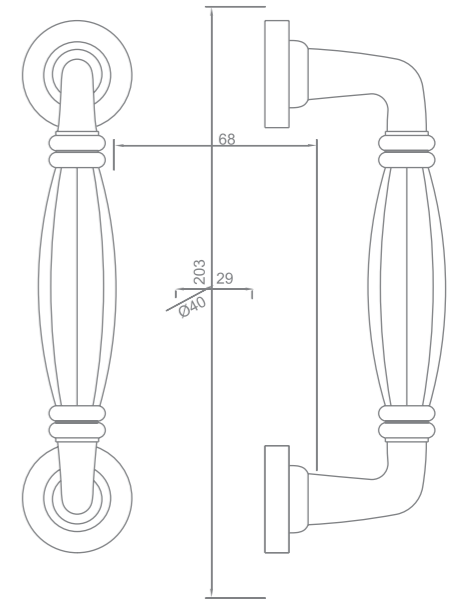


Series - 78

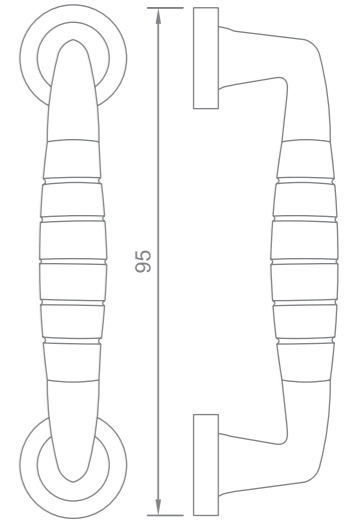
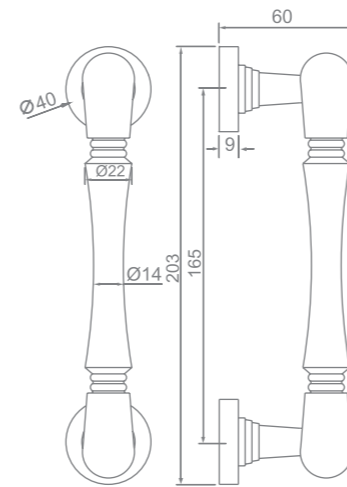
Brass pull handles



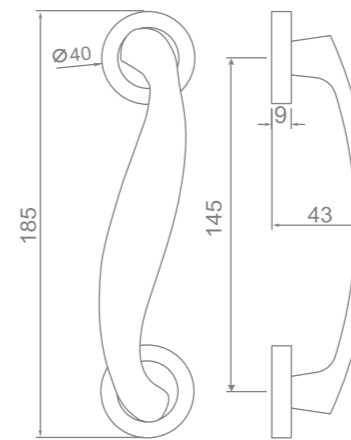
Scott
7839 H 07
165 mm
(C to C)



Narita
7840 H 08
203 mm
(C to C)



Kodai
7842 H 08
203 mm
(C to C)



Wave
7841 H 06
145 mm
(C to C)

Forged brass pull handles

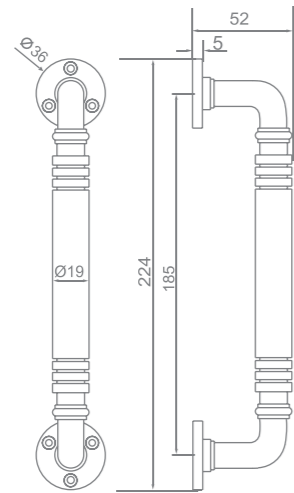
Solid brass door & window handles

Series - 78

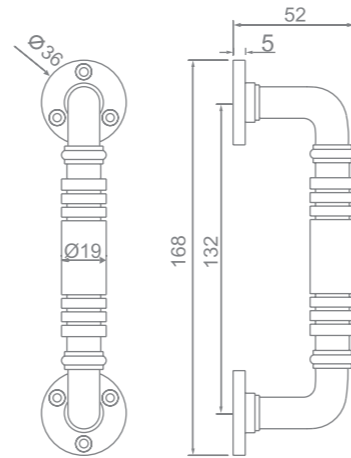
Brass pull handles



Ringo big
7843 H 07
185 mm
(C to C)

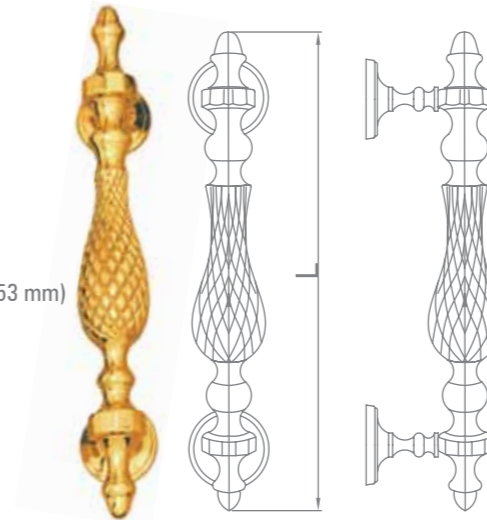


Ringo small
7844 H 05
132 mm
(C to C)



Series - 63 & 64

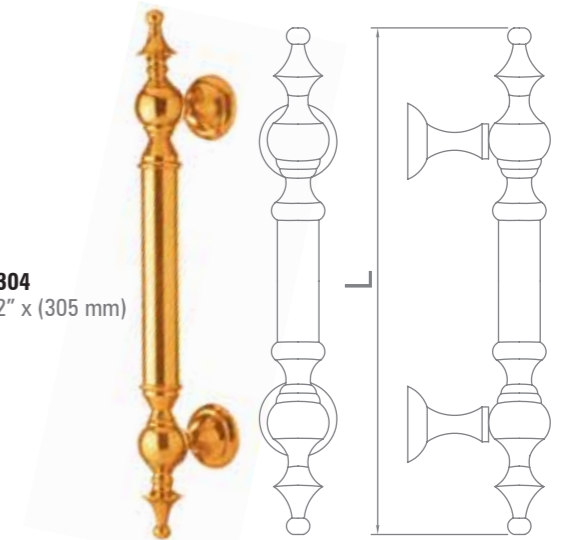
Door handles



6315
14" x (353 mm)

Hollow 'pineapple' handle

Code	Size in	Pcs per	Pcs per	
	inch	inner box	outer box	
6311	6	152	5	100
6312	8	203	2	40
6313	10	253	2	20
6314	12	305	2	10
6315	14	353	2	10
6316	18	457	2	10



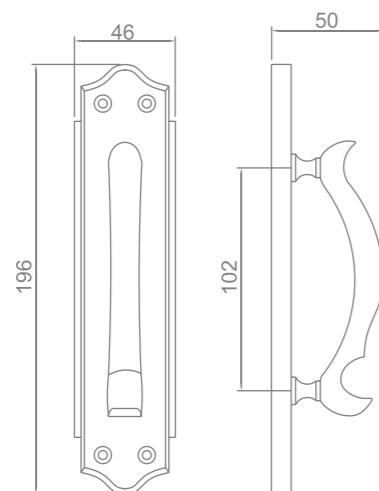
6304
12" x (305 mm)

Crown handle

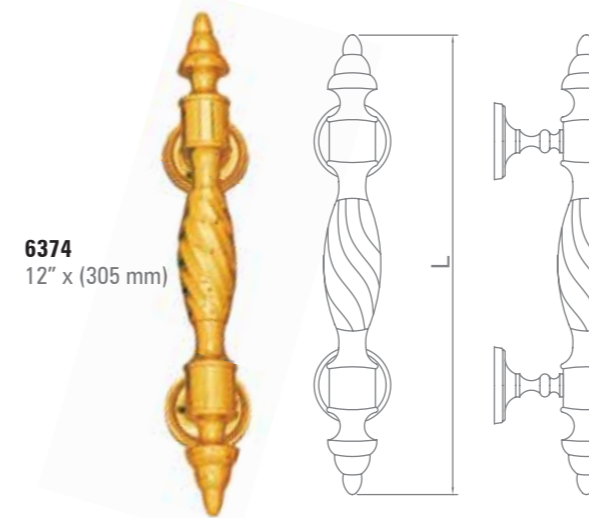
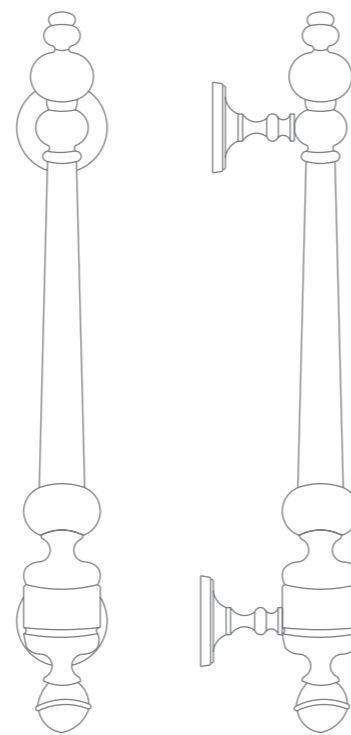
Code	Size in	Pcs per	Pcs per	
	inch	inner box	outer box	
6301	6	152	5	100
6302	8	203	2	40
6303	10	253	2	20
6304	12	305	2	10
6305	14	353	2	10
6306	18	457	2	10



Twist
7845 P 07
190 mm
(Top to bottom)



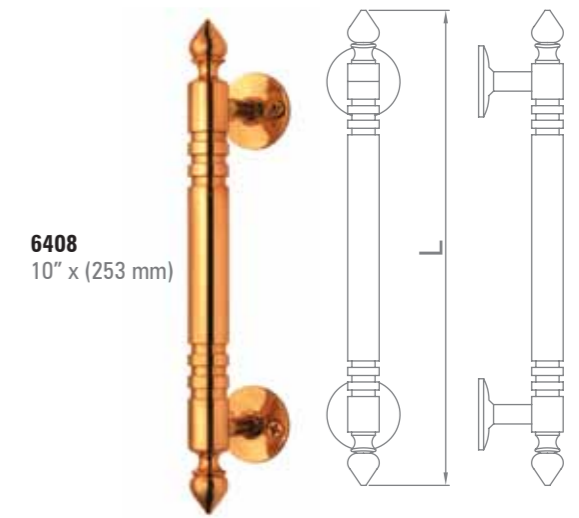
Alto
7846 H 12
304 mm
(190 mm)



6374
12" x (305 mm)

Hollow handle 'Temple'

Code	Size in	Pcs per	Pcs per	
	inch	inner box	outer box	
6371	6	152	5	100
6372	8	203	2	40
6373	10	253	2	20
6374	12	305	2	10
6375	14	353	2	10
6376	18	457	2	10



6408
10" x (253 mm)

Hollow handle 'meck'

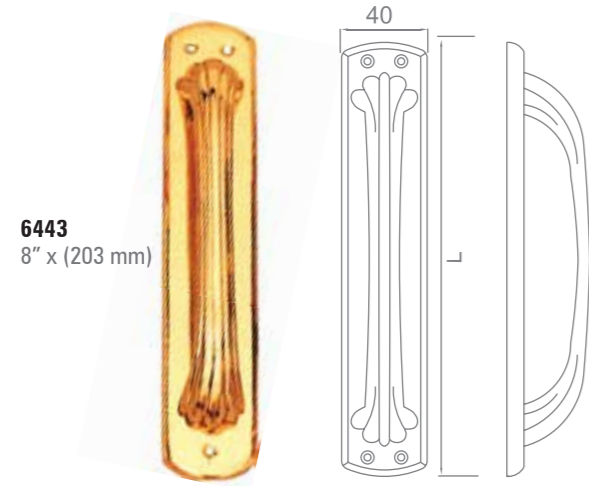
Code	Size in	Pcs per	Pcs per	
	inch	inner box	carton	
6405	6	152	5	100
6408	10	253	2	20
6448	12	305	2	20
6449	14	353	2	20
6450	18	457	2	10

- Classic designs
- Better utility
- Anti-tarnish and Mega finish for longer life
- Comes with SS 304 / brass screws in respective finishes

Solid brass door & window handles

Series - 64

Door handles



6443
8" x (203 mm)

Shell handle with plate

Code	Size in		Pcs per inner box	Pcs per carton
	inch	mm		
6443	8	203	5	100



6409
4" x (102 mm)

Window handle

Code	Size in		Pcs per inner box	Pcs per carton
	inch	mm		
6409	4	102	5	100
6410	6	152	5	100
6411	8	203	5	100

Series - 64

Solid brass door & window handles



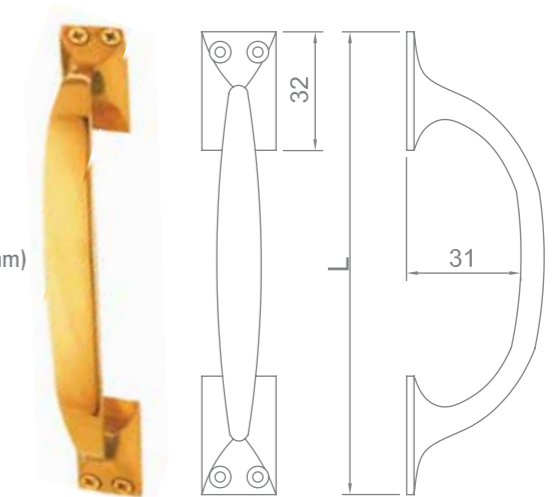
Window handles



6469
6" x (152 mm)

Door handle

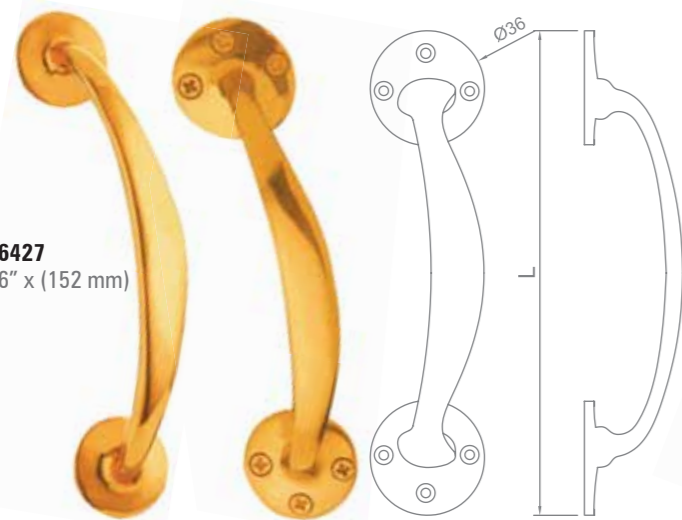
Code	Size in		Pcs per inner box	Pcs per carton
	inch	mm		
6468	4	102	10	200
6469	6	152	5	100
6470	8	204	5	100



6431
6" x (152 mm)

Solid brass handle

Code	Size in		Pcs per inner box	Pcs per outer box
	inch	mm		
6430	4	102	5	80
6431	6	152	2	40
6440	9	229	2	50



6427
6" x (152 mm)

Window handle 'Vic'

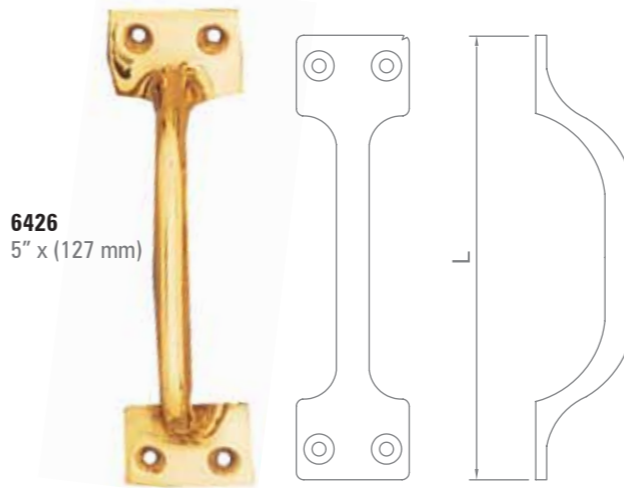
Code	Size in		Pcs per inner box	Pcs per outer box
	inch	mm		
6424	4	102	5	80
6427	6	152	5	100
6435	8	204	5	100



6452
6" x (152 mm)

Door handle

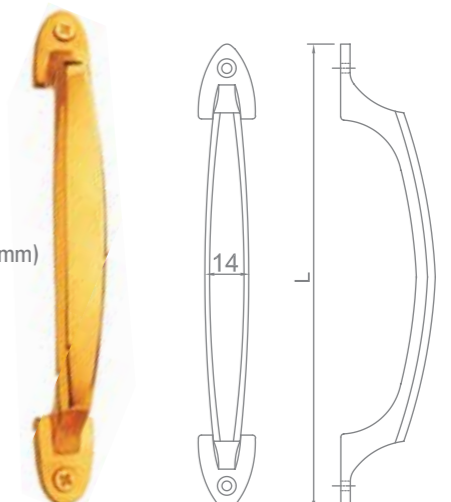
Code	Size in		Pcs per inner box	Pcs per outer box
	inch	mm		
6451	4	102	10	200
6452	6	152	5	100
6453	8	204	5	100



6426
5" x (127 mm)

Gate handle

Code	Size in		Pcs per inner box	Pcs per carton
	inch	mm		
6418	4	102	10	200
6426	5	127	10	200
6420	6	152	10	200



6456
5" x (127 mm)

Window handle

Code	Size in		Pcs per inner box	Pcs per carton
	inch	mm		
6455	4	102	10	200
6456	5	127	5	100
6457	6	152	5	100
6458	8	204	5	100

- Classic designs
- Better utility
- Anti-tarnish and Mega finish for longer life
- Comes with SS 304 / brass screws in respective finishes

- Classic designs
- Better utility
- Anti-tarnish and Mega finish for longer life
- Comes with SS 304 / brass screws in respective finishes

Solid brass door & window handles

Series - 64

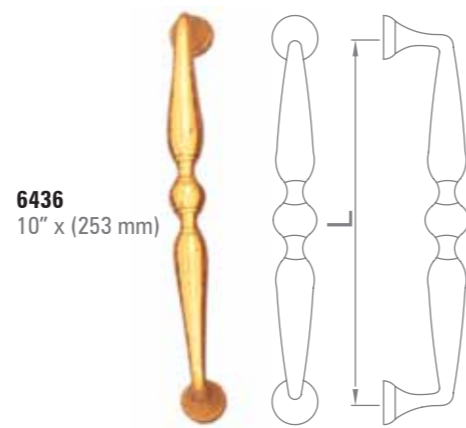
Window handles



6406
4" x (120 mm)

Window handle

Code	Size in inch	Size in mm	Pcs per inner box	Pcs per carton
6406	4	102	10	200
6407	5	127	5	100



6436
10" x (253 mm)

Hollow handle 'Deco'

Code	Size in inch	Size in mm	Pcs per inner box	Pcs per outer box
6422	6	152	5	100
6425	8	203	2	40
6436	10	253	2	20
6428	12	305	2	10
6429	14	353	2	10

Series - 64

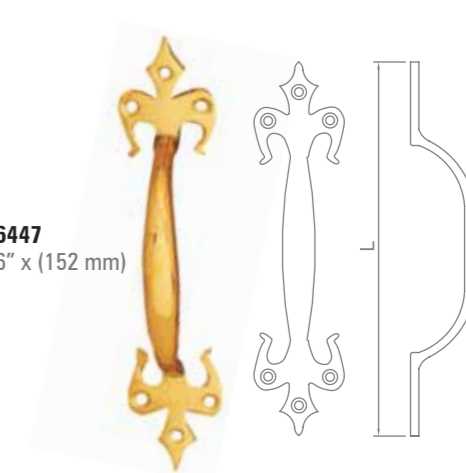
Window handles



6402
5" x (127 mm)

Window handle

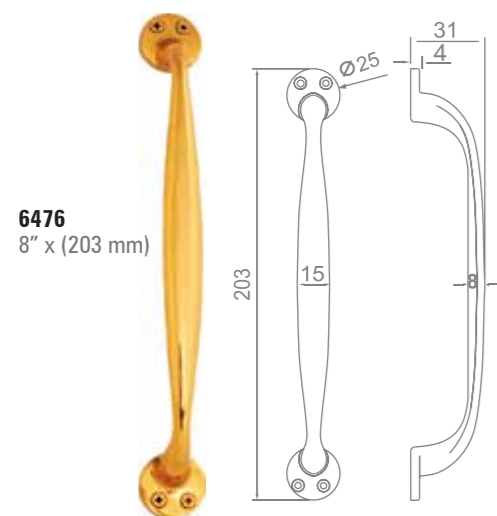
Code	Size in inch	Size in mm	Pcs per inner box	Pcs per carton
6401	4	102	10	200
6402	5	127	10	200



6447
6" x (152 mm)

Trio handle

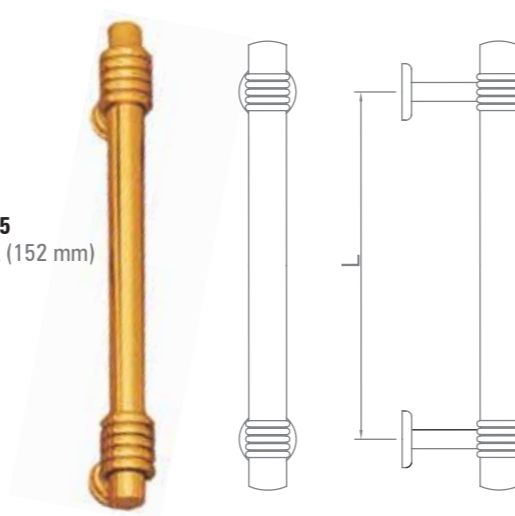
Code	Size in inch	Size in mm	Pcs per inner box	Pcs per carton
6432	4	102	10	200
6434	5	127	10	200
6447	6	152	5	100



6476
8" x (203 mm)

Roto handle

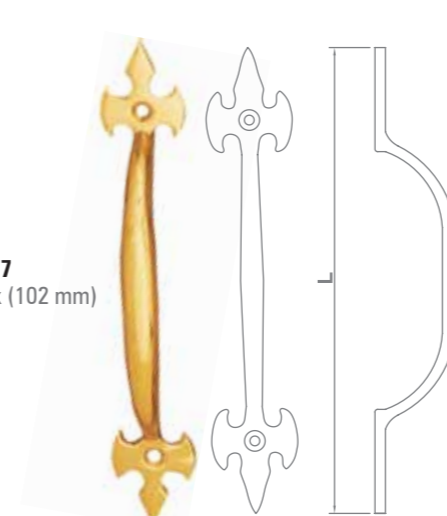
Code	Size in inch	Size in mm	Pcs per inner box	Pcs per carton
6476	8	203	5	100



6415
6" x (152 mm)

Ring handle

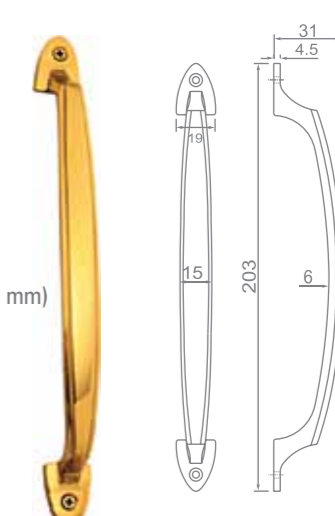
Code	Size in inch	Size in mm	Pcs per inner box	Pcs per carton
6412	3	76	10	200
6413	4	102	10	200
6416	5	127	10	200
6415	6	152	10	200



6417
4" x (102 mm)

Window handle 'Arrow'

Code	Size in inch	Size in mm	Pcs per inner box	Pcs per carton
6417	4	102	10	200
6423	6	152	10	200



6481
8" x (203 mm)

Linear handle

Code	Size in inch	Size in mm	Pcs per inner box	Pcs per carton
6481	8	203	5	100

- Classic designs
- Better utility
- Anti-tarnish and Mega finish for longer life
- Comes with SS 304 / brass screws in respective finishes

- Classic designs
- Better utility
- Anti-tarnish and Mega finish for longer life
- Comes with SS 304 / brass screws in respective finishes

Solid brass letter plates

Solid brass door knockers

Series - 69

Geo with 'Letter'



6911
11" x 3 1/2"



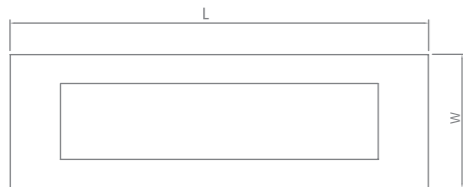
Code	Outer size		Pcs per inner box	Pcs per outer box
	inch	mm		
	L x W	L x W		
6910	10 x 3	254 x 76	2	20
6911	11 x 3.1/2	279 x 89	2	20
6912	12 x 3.1/2	305 x 89	2	20
6913	13 x 3.1/2	330 x 89	2	20
6914	14 x 3.1/2	356 x 89	2	20

Series - 69

Victorian plain



6922
12" x 3 1/2"

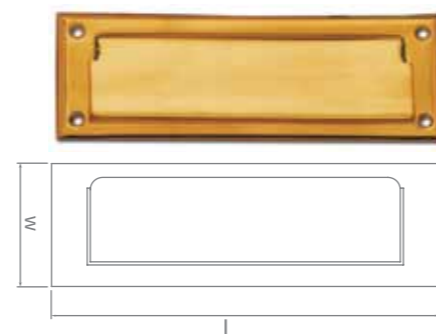


Code	Outer size		Pcs per inner box	Pcs per outer box
	inch	mm		
	L x W	L x W		
6920	10 x 3	254 x 76	2	20
6921	11 x 3.1/2	279 x 89	2	20
6922	12 x 3.1/2	305 x 89	2	20
6923	13 x 3.1/2	330 x 89	2	20
6924	14 x 3.1/2	356 x 89	2	20

Series - 69

Gravity type

Code	Outer size		Pcs per inner box	Pcs per outer box
	inch	mm		
	L x W	L x W		
6930	10 x 3	254 x 89	2	20
6931	11 x 3.1/2	279 x 89	2	20
6932	12 x 3.1/2	305 x 89	2	20
6933	13 x 3.1/2	330 x 89	2	20
6934	14 x 3.1/2	356 x 89	2	20

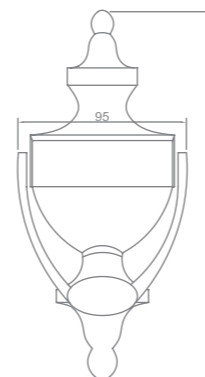
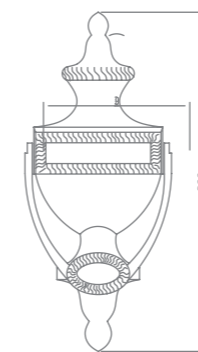


6930
10" x 3"

- Furnished with Solid brass wood screws in respective finishes
- Anti-tarnish and Mega finish for longer life

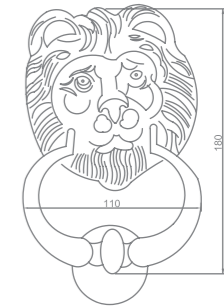
Series - 66

Door knockers



Code	Description	Size in	Pcs per inner box	Pcs per carton
		mm		
		Ø x H		

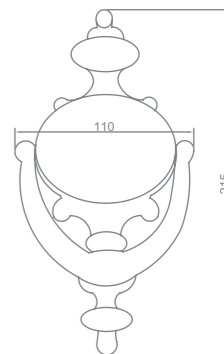
6606	Lion	110 x 180	4	20
------	------	-----------	---	----



6610	Diamond	90 x 200	4	20
------	---------	----------	---	----



6611	Crown	110 x 215	4	20
------	-------	-----------	---	----



6614	Victorian	95 x 200	4	20
------	-----------	----------	---	----



- Furnished with solid brass wood screws in respective finishes
- Anti-tarnish and Mega finish for longer life
- Traditional can also be aesthetic look

Solid brass door knockers

Solid brass cabinet fittings

Series - 66

Door knockers

Series - 70

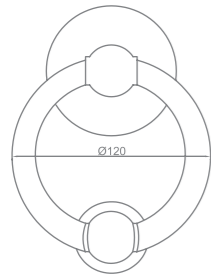
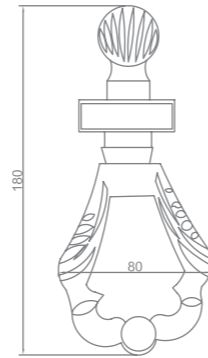
Cabinet fitting

Code	Description	Size in mm	Pcs per inner box	Pcs per carton
------	-------------	------------	-------------------	----------------

Ø x H



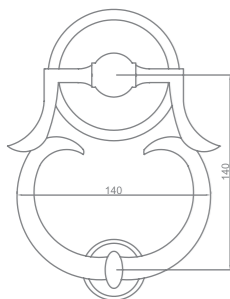
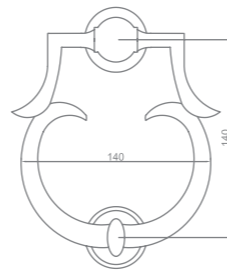
6616	Shell	80 x 180	4	20
------	-------	----------	---	----



6607	Ring type with base (Black / Gold)	Ø120	4	20
------	------------------------------------	------	---	----



6608	Royal (Antique brass)	140 x 140	4	20
------	-----------------------	-----------	---	----



6603	Royal with base	140 x 140	4	20
------	-----------------	-----------	---	----

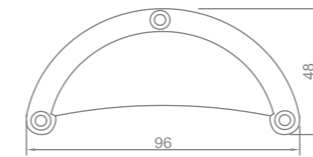
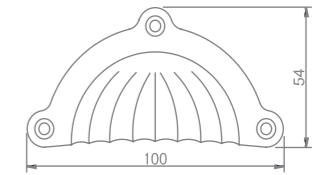


- Furnished with solid brass wood screws in respective finishes
- Anti-tarnish and Mega finish for longer life
- Traditional can also be aesthetic look

Code	Description	Size in mm	Pcs per inner box	Pcs per carton
------	-------------	------------	-------------------	----------------



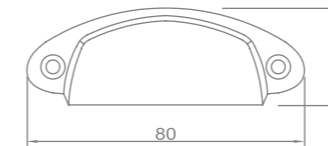
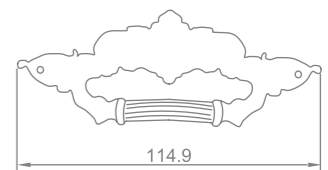
7021	Drawer pull sunrise	100 x 54	10	200
------	---------------------	----------	----	-----



7022	Drawer pull plain	96 x 48	10	200
------	-------------------	---------	----	-----



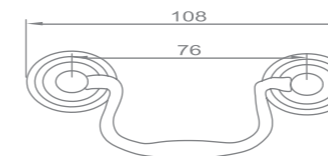
7051	Plate handle	114.90	20	400
------	--------------	--------	----	-----



7023	Drawer pull	80 x 30	15	400
------	-------------	---------	----	-----



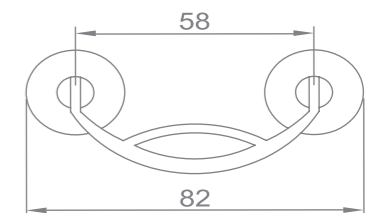
7024	Drawer pull	84 x 16	20	300
------	-------------	---------	----	-----



7052	Plate handle	108	10	400
------	--------------	-----	----	-----



7053	Plate handle	82	10	400
------	--------------	----	----	-----



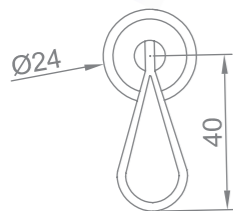
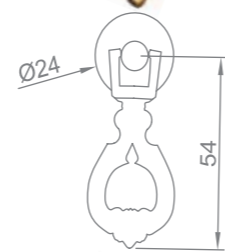
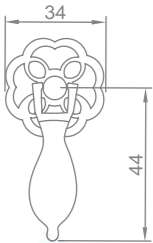
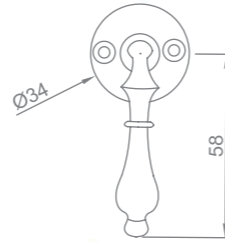
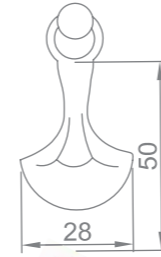
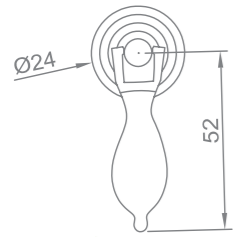
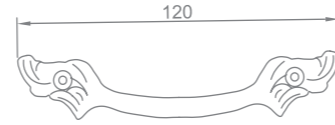
- Furnished with solid brass wood screws in respective finishes
- Comes with Mega finish for long Anti-tarnish lift
- Great utility
- Traditional look

Solid brass cabinet fittings

Series - 70

Cabinet fitting

Code	Description	Size in mm	Pcs per inner box	Pcs per carton
		Ø x H		
7055	Plate handle	120	20	400
7062	Drop pull	Ø24 x 52	15	400
7061	Drop pull	Ø34 x 58	20	400
7063	Drop pull	34 x 44	20	400
7069	Drop pull	Ø24 x 54	20	400
7064	Drop pull	Ø24 x 40	20	400



- Furnished with solid brass wood screws in respective finishes
- Comes with Mega finish for long Anti-tarnish lift
- Great utility
- Traditional look

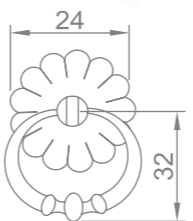
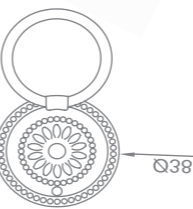
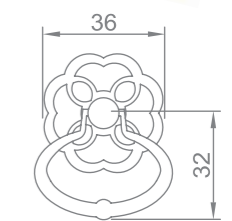
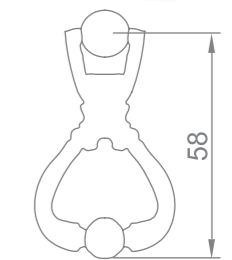
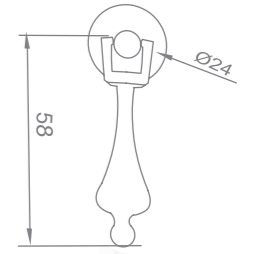
Solid brass cabinet fittings



Series - 70

Cabinet fitting

Code	Description	Size in mm	Pcs per inner box	Pcs per carton
7067	Drop pull	24 x 58	20	400
7060	Drop pull	28 x 50	20	400
7058	Drop pull	10 x 58	20	400
7054	Decorative dom	38	20	400
7066	Drop pull	36 x 32	20	400
7059	Drop pull	24 x 32	20	400



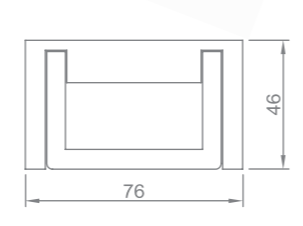
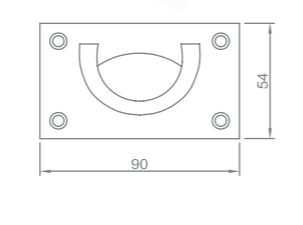
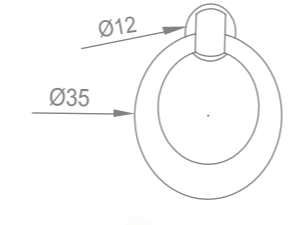
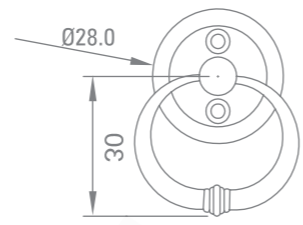
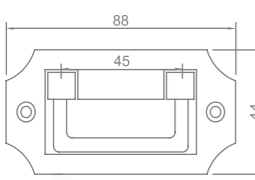
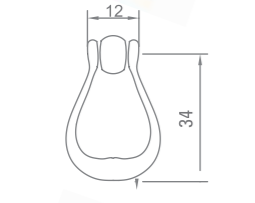
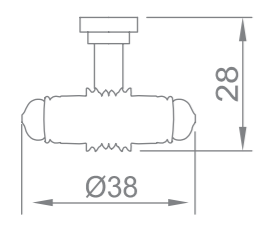
- Furnished with solid brass wood screws in respective finishes
- Comes with Mega finish for long Anti-tarnish lift
- Great utility
- Traditional look

Solid brass cabinet fittings

Series - 70

Cabinet fitting

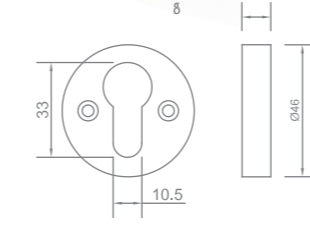
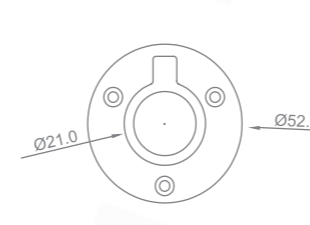
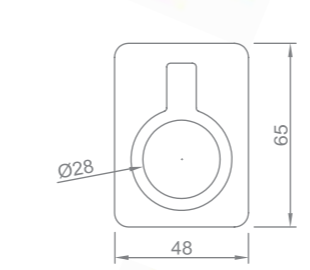
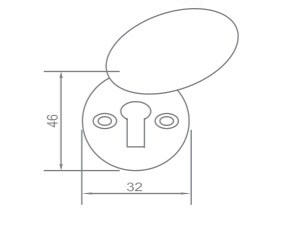
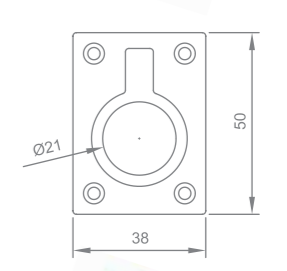
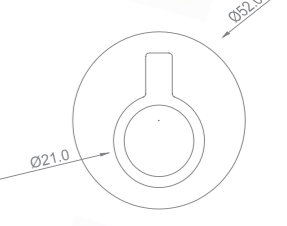
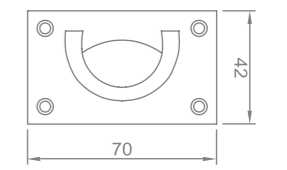
Code	Description	Size in mm	Pcs per inner box	Pcs per carton
7056	Drop pull	28 x 30	20	400
7068	Drop pull	38 x 28	20	400
7057	Drop pull	12 x 35	20	400
7041	Drop pull	12 x 34	20	400
7026	Flush handle	90 x 54	10	200
7027	Flush handle	88 x 44	10	200
7028	Flush handle	76	10	200



Series - 70

Cabinet fitting

Code	Description	Size in mm	Pcs per inner box	Pcs per carton
7025	Flush handle	70 x 42	10	200
7029	Flush ring	65 x 48	20	400
7031	Flush ring	52	20	400
7032	Flush ring	52	20	400
7030	Flush ring	50 x 38	20	400
7040	Key escutcheon	Ø46	20	400
7039	Key escutcheon	46 x 32	20	400



- Furnished with solid brass wood screws in respective finishes
- Comes with Mega finish for long Anti-tarnish lift
- Great utility
- Traditional look

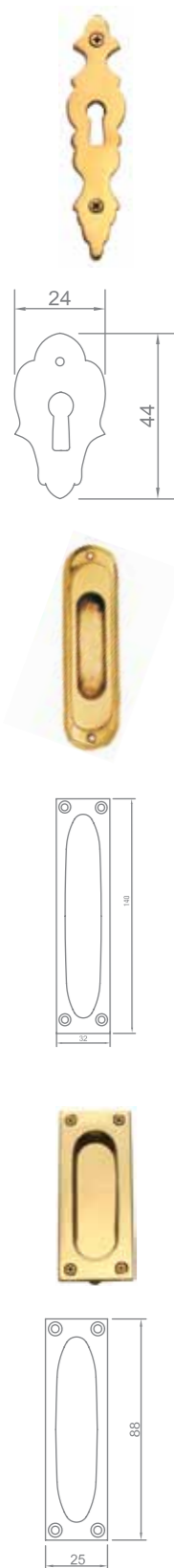
- Furnished with solid brass wood screws in respective finishes
- Comes with Mega finish for long Anti-tarnish lift
- Great utility
- Traditional look



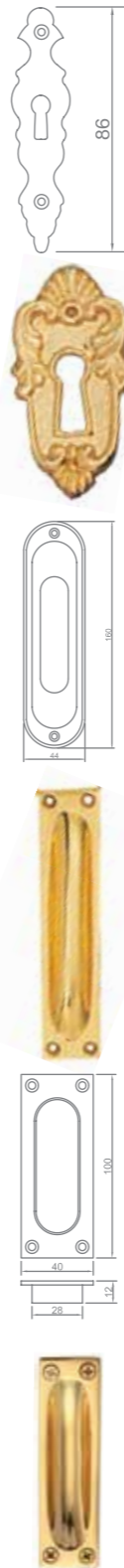
Solid brass cabinet fittings

Series - 70

Cabinet fitting



Code	Description	Size in mm	Pcs per inner box	Pcs per carton
7038	Key escutcheon	86	20	400
7037	Key escutcheon	44 x 24	20	400
7035	Flush pull	160 x 44	2	40
7034	Flush pull	140 x 32	10	200
7036	Flush pull	100 x 40	10	200
7033	Flush pull	88 x 25	20	300



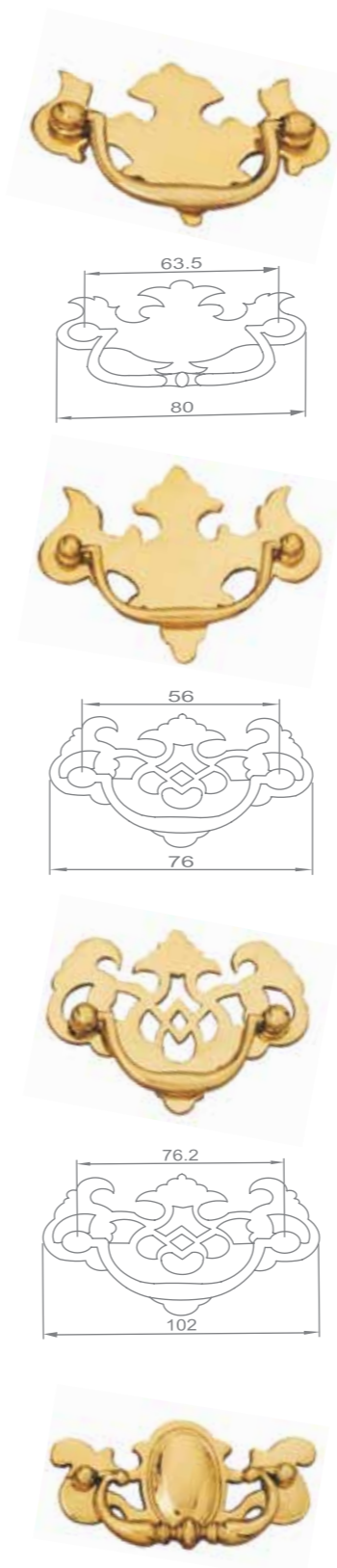
- Furnished with solid brass wood screws in respective finishes
- Comes with Mega finish for long Anti-tarnish lift
- Great utility
- Traditional look

Solid brass cabinet fittings



Series - 70

Cabinet fitting



Code	Description	Size in mm	Pcs per inner box	Pcs per carton
7003	Plate handle	76	15	200
7004	Plate handle	80	10	200
7005	Plate handle	102	10	200
7008	Plate handle	76	15	300
7009	Plate handle	89	10	200
7010	Plate handle	102	10	200
7018	Plate handle	116	10	200



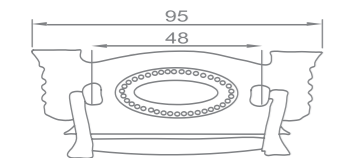
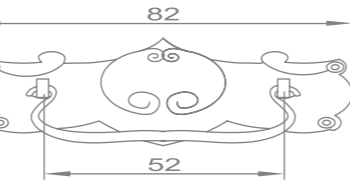
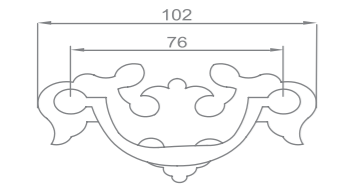
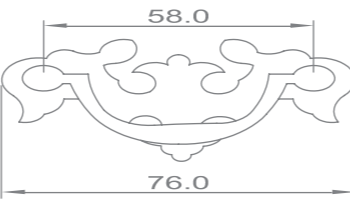
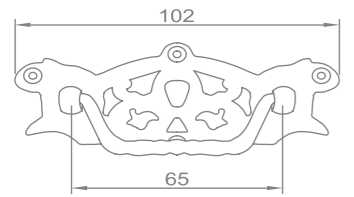
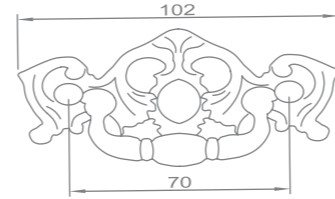
- Furnished with solid brass wood screws in respective finishes
- Comes with Mega finish for long Anti-tarnish lift
- Great utility
- Traditional look

Solid brass cabinet fittings

Series - 70

Cabinet fitting

Code	Description	Size in mm	Pcs per inner box	Pcs per carton
7017	Plate handle	102	10	200
7013	Plate handle	102	10	200
7001	Plate handle	76	20	400
7002	Plate handle	102	15	300
7016	Plate handle	82	10	200
7006	Plate handle	95	10	200



- Furnished with solid brass wood screws in respective finishes
- Comes with Mega finish for long Anti-tarnish lift
- Great utility
- Traditional look

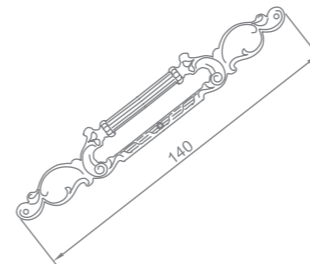
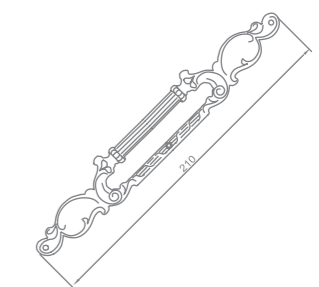
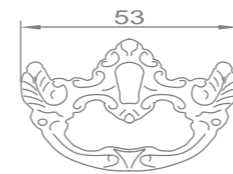
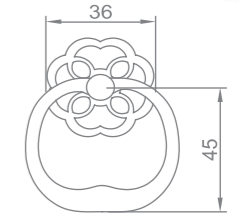
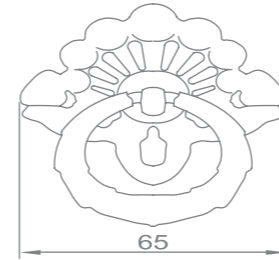
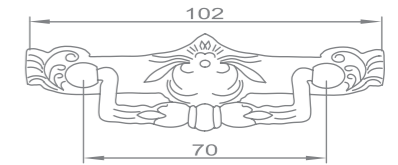
Solid brass cabinet fittings



Series - 70

Cabinet fitting

Code	Description	Size in mm	Pcs per inner box	Pcs per carton
7012	Plate handle	102	20	400
7015	Plate handle	65	15	300
7007	Plate handle	45 x 36	20	400
7011	Plate handle	53	20	400
7019	Plate handle	210	10	200
7020	Plate handle	140	10	200



- Furnished with solid brass wood screws in respective finishes
- Comes with Mega finish for long Anti-tarnish lift
- Great utility
- Traditional look

Solid brass hat & coat hooks

Series - 67

Hat & coat hooks

Code	Description	Size in mm	Pcs per inner box	Pcs per carton
6701	Coat hook	140 x 88	5	100
6702	Horse type hook	180 x 40	5	100
6703	Single hook geo.	116 x 42	5	100
6704	Double hook with HX base	78 x 64	5	100
6705	Round concealed fitting	125 x 55	5	100
6706	Round concealed fitting	95 x 50	5	100
6707	Coat hook square	95 x 30	5	100
6708	Coat hook	148 x 38	5	100

- Furnished with solid brass wood screws in respective finishes
- Anti-tarnish and Mega finish for longer life
- Great utility
- Traditional look

Solid brass hat & coat hooks



Series - 67

Hat & coat hooks

Code	Description	Size in mm	Pcs per inner box	Pcs per carton
6709	Coat hook	200 x 50	5	100
6710	Coat hook (large)	148 x 38	5	100
6713	Coat hook geo.	125 x 50	5	100
6714	Coat hook	125 x 42	5	100
6715	Coat hook oblong	80 x 32	5	100
6716	Coat hook	102 x 29	5	100
6717	Coat hook	160 x 75	5	100
6718	Coat hook geo.	102 x 30	5	100

- Furnished with solid brass wood screws in respective finishes
- Anti-tarnish and Mega finish for longer life
- Great utility
- Traditional look

Solid brass hat & coat hooks

Series - 67

Hat & coat hooks

Code	Description	Size in mm	Pcs per inner box	Pcs per carton
6719	Coat hook	125 x 72	5	100
6721	Rosette hook	38 x 36	20	400
6722	Plug hook	45 x 24	20	400
6723	Plug hook geo.	38 x 35	20	400
6724	Ball hook (large)	50 x 25	20	400
6725	Ball hook (med.)	40x 20	20	400
6726	Ball hook (small)	34 x 26	20	400
6727	House type	110 x 60	10	200

- Furnished with solid brass wood screws in respective finishes
- Anti-tarnish and Mega finish for longer life
- Great utility
- Traditional look



Solid brass hat & coat hooks

Series - 67

Hat & coat hooks

Code	Description	Size in mm	Pcs per inner box	Pcs per carton
6728	Horse type hook	120 x 28	5	100
6729	Teady bear type	110 x 60	10	200
6730	Fish type	110 x 70	5	100
6731	Anchor type	102 x 70	5	100
6732	Single hook	53 x 21	20	400
6733	Single hook	36 x 20	20	400
6734	Single hook	65 x 25	20	400
6735	Single hook 'Geo.'	72 x 28	20	200

- Furnished with solid brass wood screws in respective finishes
- Anti-tarnish and Mega finish for longer life
- Great utility
- Traditional look



Solid brass hat & coat hooks

Series - 67

Hat & coat hooks

Code	Description	Size in mm	Pcs per inner box	Pcs per carton
6736	Single hook	65 x 25	10	200
6737	Single hook 'Geo.'	42 x 42	10	200
6738	Trishul hook (large)	75 x 35	25	500
6739	Trishul hook (med.)	60 x 28	25	500
6740	Single hook	55 x 33	20	400
6741	Single hook geo.	55 x 50	20	400
6742	Double hook	72 x 48	20	400
6743	Double hook	75 x 35	20	400

- Furnished with solid brass wood screws in respective finishes
- Anti-tarnish and Mega finish for longer life
- Great utility
- Traditional look

Solid brass hat & coat hooks

Series - 67

Hat & coat hooks

Code	Description	Size in mm	Pcs per inner box	Pcs per carton
6744	Double hook	75 x 40	20	400
6745	Double hook	75 x 50	20	400
6746	Double hook	70 x 35	20	400
6747	Cleant hook	75 x 16	20	400
6748	Geo. hook plate with 5 hooks	540 x 50	5	10
6749	Vic. hook plate with 5 hooks	480 x 50	5	10
6750	Snack hook plate	280 x 75	5	10

- Furnished with solid brass wood screws in respective finishes
- Anti-tarnish and Mega finish for longer life
- Great utility
- Traditional look



MUKUND OVERSEAS

An ISO 9001:2000 Certified Company

21, Sugar Market Building, 104/114, P D'Mello Road, Mumbai 400 009, India

Tel +91 22 2348 0639 / 6633 5300 Fax +91 22 2348 5679

Email magnum@mukund.com / mo@bom3.vsnl.net.in

Website www.mukund.com

USA Office TAANNAZ INC

Tel +1-847 255 4449 Fax +1-847 255 4459

Email info@taannaz.in Website www.taannaz.in