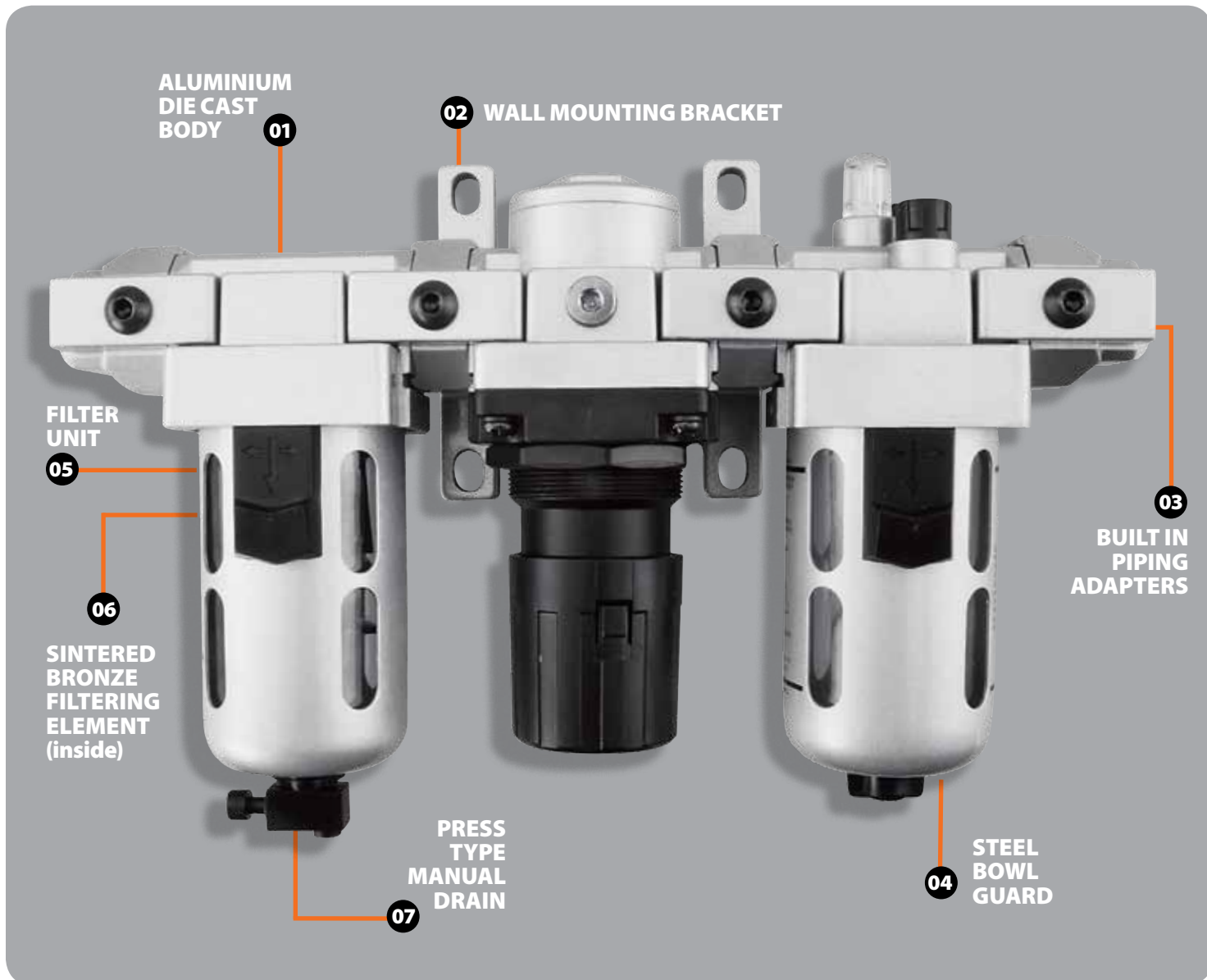


cf02

# air



# Introducing GROZ Air - air control units



Inside	Air Regulators	02	Air Lubricators	08
	Air Filters	04	Air Lubricators - Metal Bowl	09
	Air Filters - Metal Bowl	05	Filter Regulator Combination	10
	Coalescing Filters	06	Filter Regulator Combination - Metal Bowl	11

## QUALITY FEATURES:

- 01 Industrial construction with **Aluminum Die Cast** bodies as opposed to plastic bodies provides for a factor of safety of over 9 times, allows use at higher temperatures & allows for better tightening of piping without stripping the threads
- 02 Built-in **Wall Mounting Bracket**
- 03 **Built-in Piping Adapters** allows the individual components to be easily removed/mounted without disturbing the pipe line
- 04 **Steel Bowl Guard** protects the polycarbonate bowl from getting damaged
- 05 **Filter unit** incorporates both Separator & Shield for maximum moisture separation
- 06 **Sintered Bronze Filtering Element** as opposed to commonly used paper filter provides for better filtration without the need to replace the filter element
- 07 **Press Type Manual Drain** Incorporates "Night Time Drain" feature- automatically drains off the bowl when compressed air supply is switched off

## OTHER FEATURES:

- Each unit is 100% factory tested & certified for guaranteed performance
- Designed for max. flow with proper sizing of all components
- Fully Modular for easy maintenance

## Welcome to the expanding world of Groz

Groz is a leading global enterprise, specializing in the manufacture of engineering tools and lubrication equipment.

We have covered fair ground over the last few years with our range of Pneumatic Products - Air Control and Air Preparation Units, and now we have enhanced this range further. This will help you find a comprehensive range from one brand.

The units are manufactured to stringent specifications and we promise you a fine product range because quality and consistency is the hallmark of our brand.

It is our firm belief that you will find our new offering to your satisfaction.

We appreciate your business and value your loyalty & trust.

Warm Regards,



**Anil Bammi**, Chairman

**Filter-Regulator & Lubricator - 2 pc** 12

**Filter-Regulator & Lubricator - 2 pc, Metal Bowl** 14

**Filter-Regulator-Lubricator - 3 pc** 16

**Filter-Regulator-Lubricator, 3 pc, Metal Bowl** 18

**Automatic Line Drain** 20

**FRL Accessories** 21

**Air Line Accessories Air Blow Guns & Kit** 25

**Air Line Accessories Air Coupler, Nipples, Air Line Fittings** 29

## R13

**MINIATURE**  
Max flow rate:  
21 CFM / 600 LPM

## R14

**INTERMEDIATE**  
Max flow rate:  
88 CFM / 2500 LPM  
In-built Venturi for  
Flow Compensation

## R15

**STANDARD**  
Max flow rate:  
140 CFM / 4000 LPM  
In-built Venturi for  
Flow Compensation

## R17

**HEAVY DUTY**  
Max flow rate:  
210 CFM / 6000 LPM  
In-built Venturi for  
Flow Compensation



Factory Tested



220 PSI (15 BAR)



Ambient  
0-60°C (32-140°F)



CONFORMS TO  
**ISO 6953-1**

One of the most commonly used air line accessories, Regulators are used to maintain a steady outlet pressure, unaffected by variations/fluctuations in the inlet pressure.

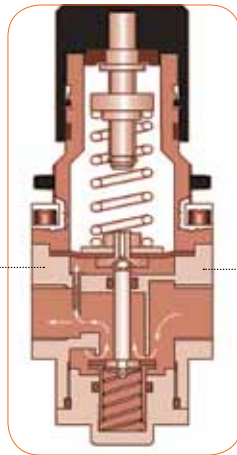
**Regulators** step down the air line pressure & can be set at any desired pressure below the inlet air pressure.

Aluminum die cast, these are designed with a Non Raising "Press to Lock" adjusting knob for locking at any set pressure.

**Regulators** work on a Diaphragm operated, relieving type mechanism with pressure compensated by balanced poppet. **These can be installed in any position & need not be vertically mounted**

WETTED COMPONENTS:  
Aluminum, Brass, Steel, Acetal,  
Stainless Steel & Nitrile

**NOTE:** Also available Tamper Proof Regulators which are set at one non adjustable outlet pressure.



### ACCESSORIES available



CLAMP, p23



MODULAR MOUNTING KIT, p22



PRESSURE GAUGE, p23



Groz Part #	Ordering #	Groz Part #	Ordering #	Description	Port Size	Flow Rate (Max)**		Pressure Gauge Port Size	Height (h)		Width (w)	
						CFM	LPM		in	mm	in	mm
		<b>BSP</b>	<b>NPT</b>									
R13604	60000	R13904	60050	Miniature	1/8"	17	480	1/8"	3.19	81	1.57	40
R13614	60001	R13914	60051	Miniature	1/4"	21	600	1/8"	3.19	81	1.57	40
R14614	60002	R14914	60052	Intermediate	1/4"	56	1600	1/8"	5.31	135	2.16	55
R14624	60003	R14924	60053	Intermediate	3/8"	88	2500	1/8"	5.31	135	2.16	55
R15634	60004	R15934	60054	Standard	1/2"	140	4000	1/8"	6.50	165	2.75	70
R17644	60005	R17944	60055	Heavy Duty	3/4"	175	5000	1/4"	6.97	177	3.54	90
R17654	60006	R17954	60056	Heavy Duty	1"	210	6000	1/4"	6.97	177	3.54	90

\*\* Inlet Pressure 105 PSI (7 BAR), Supply Pressure 90 PSI (6 BAR) and Pressure Drop 17 PSI (1 BAR)



R13914 >

**to increase pressure**  
- pull knob, turn clockwise and push it back to lock in position

**to reduce pressure**  
- pull knob, turn counter clockwise and push it back to lock in position

port for installing pressure gauge

**STANDARD** configuration

- Pressure adjustment range of 7 - 145 PSI (0.5 - 10 BAR)

**OPTIONAL** configuration

Custom built include the following Pressure

Adjustment ranges:

- 3 - 28 PSI (0.2 - 2 BAR)
- 3 - 58 PSI (0.2 - 4 BAR)
- 8 - 100 PSI (0.5 - 7 BAR)



### F13

**MINIATURE**  
 Max flow rate:  
 28 CFM / 800 LPM  
 Threaded type steel  
 bowl guard



Factory Tested

### F14

**INTERMEDIATE**  
 Max flow rate:  
 80 CFM / 2250 LPM  
 Bayonet type steel  
 bowl guard



145 PSI (10 BAR)

### F15

**STANDARD**  
 Max flow rate:  
 125 CFM / 3500 LPM  
 Bayonet type steel  
 bowl guard



Ambient  
 0-60°C (32-140°F)

**MODULAR**  
 MOUNTING

**VERTICAL**  
 MOUNTING

CONFORMS TO  
**ISO 5782-1**

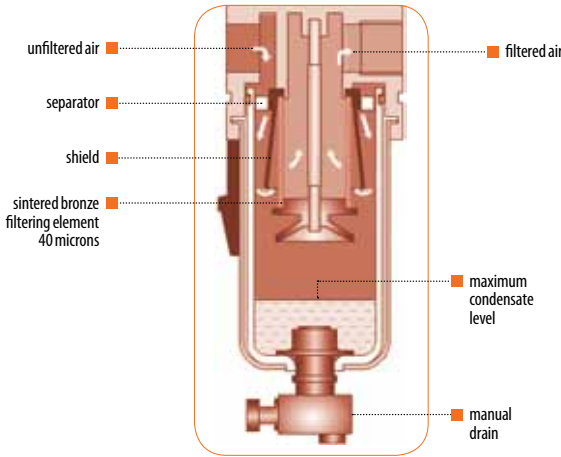
**Air Filters** are used to separate dust, dirt, moisture & other contaminants from compressed air

These have a Die Cast aluminum filter head, polycarbonate bowl with a steel bowl guard & high performance sintered Bronze filtering element

Designed with a Separator & Shield for efficient moisture separation

**WETTED COMPONENTS:**

Aluminum, Bronze, Steel, Acetal, Polycarbonate, Stainless Steel & Nitrile



**WARNING !**

Polycarbonate bowls may get damaged and possibly fail if exposed to synthetic oils, thinner, solvents, trichloroethylene, kerosene or other aromatic hydrocarbons

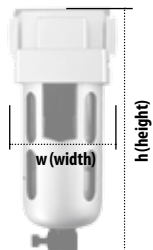
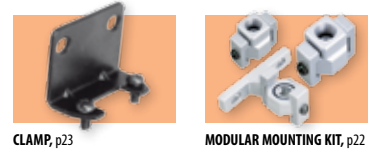
**STANDARD configuration**

- 40 micron filtering element
- Press Type Manual Drain with *Night Time Drain* feature which automatically drains off the bowl once the compressed air supply to the filter is switched off

**OPTIONAL configurations**

Custom options for Filtering element:  
 • 5 Micron • 25 micron  
 • 50 Micron • 100 Micron  
 Drain Type options include an Internal & an External Auto drain

**ACCESSORIES available**



Gro-z Part #	Ordering #	Gro-z Part #	Ordering #	Description	Port Size	Flow Rate (Max)**		Bowl Size		Height (h)		Width (w)	
						CFM	LPM	Oz.	ml	in	mm	in	mm
		BSP		NPT									
F13603-S	60100	F13903-S	60150	Miniature	1/8"	11	310	0.3	9	4.45	113	1.57	40
F13613-S	60101	F13913-S	60151	Miniature	1/4"	28	800	0.3	9	4.45	113	1.57	40
F14613-S	60102	F14913-S	60152	Intermediate	1/4"	49	1400	1.08	32	5.51	140	2.16	55
F14623-S	60103	F14923-S	60153	Intermediate	3/8"	80	2250	1.08	32	5.51	140	2.16	55
F15633-S	60104	F15933-S	60154	Standard	1/2"	125	3500	1.5	44	6.77	172	2.75	70
F17643-S	60105	F17943-S	60155	Heavy Duty	3/4"	175	5000	5.6	165	10.24	260	3.54	90
F17653-S	60106	F17953-S	60156	Heavy Duty	1"	230	6500	5.6	165	10.24	260	3.54	90

\*\* Inlet Pressure 90 PSI (6 BAR) and Pressure Drop 4.5 PSI (0.3 BAR)

## F13-M

**MINIATURE**  
 Max flow rate:  
 28 CFM / 800 LPM

## F14-M

**INTERMEDIATE**  
 Max flow rate:  
 80 CFM / 2250 LPM

## F15-M

**STANDARD**  
 Max flow rate:  
 125 CFM / 3500 LPM

## F17-M

**HEAVY DUTY**  
 Max flow rate:  
 230 CFM / 6500 LPM



Factory Tested



290 PSI (20 BAR)



Ambient  
 0-60°C (32-140°F)

**VERTICAL MOUNTING**

CONFORMS TO  
**ISO 5782-1**



Chemical Industry

**Air Filters** are used to separate dust, dirt, moisture & other contaminants from compressed air.

These have a Die Cast Aluminum Filter Head & bowl with a high performance Sintered Bronze Filtering element. Designed with a Separator & Shield for efficient moisture separation.

Metal Bowl makes these good for use in Chemical plants, Paint shops, pharmaceutical plants, foundries etc. where ambient air may contain chemicals, such as acetone, benzene, kerosene, gasoline, carbon tetrachloride, ethylene dichloride, toluene etc. These are also recommended for high pressure applications and for use with air compressor systems using fire resistant lubricants.

**WETTED COMPONENTS:**

Aluminum, Bronze, Steel, Stainless Steel & Nitrile



F 15933-MS >

**STANDARD** configuration

- 40 micron filtering element
- Press Type Manual Drain with *Night Time Drain* feature which automatically drains off the bowl once the compressed air supply to the filter is switched off

**OPTIONAL** configurations

Custom options for Filtering element:  
 • 5 Micron • 25 micron  
 • 50 Micron • 100 Micron  
 Drain Type options include an Internal & an External Auto drain

**ACCESSORIES** available



CLAMP, p23



MODULAR MOUNTING KIT, p22



Groz Part #	Ordering #	Groz Part #	Ordering #	Description	Port Size	Flow Rate (Max)**		Bowl Size		Height (h)		Width (w)	
						CFM	LPM	Oz.	ml	in	mm	in	mm
		<b>BSP</b>	<b>NPT</b>										
F13613-MS	60130	F13913-MS	60180	Miniature	1/4"	28	800	0.3	9	4.53	115	1.57	40
* F14613-MS	60129	F14913-MS	60185	Intermediate	1/4"	49	1400	2.17	64	7.4	188	2.16	55
F14623-MS	60131	F14923-MS	60181	Intermediate	3/8"	80	2250	2.17	64	7.4	188	2.16	55
F15633-MS	60132	F15933-MS	60182	Standard	1/2"	125	3500	3.0	90	8.82	224	2.75	70
F17643-MS	60133	F17943-MS	60183	Heavy Duty	3/4"	175	5000	5.6	165	10.43	265	3.54	90
F17653-MS	60134	F17953-MS	60184	Heavy Duty	1"	230	6500	5.6	165	10.43	265	3.54	90

\*\* Inlet Pressure 90 PSI (6 BAR) and Pressure Drop 4.5 PSI (0.3 BAR) \* New

**FS13**  
**MINIATURE**  
 Max flow rate:  
 25 CFM / 700 LPM  
 Threaded Type Steel  
 Bowl Guard

**FS14**  
**INTERMEDIATE**  
 Max flow rate:  
 57 CFM / 1600 LPM  
 Bayonet Type Steel Bowl  
 Guard

**FS15**  
**STANDARD**  
 Max flow rate:  
 124 CFM / 3500 LPM  
 Bayonet Type Steel Bowl  
 Guard

**FS17**  
**HEAVY DUTY**  
 Max flow rate:  
 78 CFM / 2200 LPM  
 Bayonet Type Steel Bowl  
 Guard



Factory Tested



145 PSI (10 BAR)



Ambient  
 5-50°C (41 - 22°F)



CONFORMS TO  
**ISO 8573-1**

**Coalescing Filters**, also referred to as Mist Separators are used to remove sub micron oil, water droplets and solid contaminants from compressed air. These are used for high efficient filtration of compressed air (99.99%), removing fine oil particles and droplets of sizes upto 0.01 microns. Used primarily in Chemical plants, Medical, Food Processing, Paint Shops, Air gauging & other precision pneumatic systems

These have a die cast aluminum filter head, polycarbonate bowl with a steel bowl guard & high performance Borosilicate filtering element.

Designed with a Separator for efficient moisture separation

**WETTED COMPONENTS:**  
 Aluminum, Borosilicate, Steel, Acetal, Polycarbonate, Stainless Steel & Nitrile

**WARNING !**

Polycarbonate bowls may get damaged and possibly fail if exposed to synthetic oils, thinner, solvents, trichloroethylene, kerosene or other aromatic hydrocarbons

**WARNING !**

Coalescing Filters must be installed after a standard Air Filter with 5 micron filter element

**STANDARD** configuration

- Choice of 0.01 micron or 0.10 micron filtering element
- Press type manual Drain with *Night time Drain* feature which automatically drains off the bowl once the compressed air supply to the filter is switched off

**OPTIONAL** configurations

- Drain Type options include an Internal & an External Auto drain

**ACCESSORIES** available



CLAMP, p23



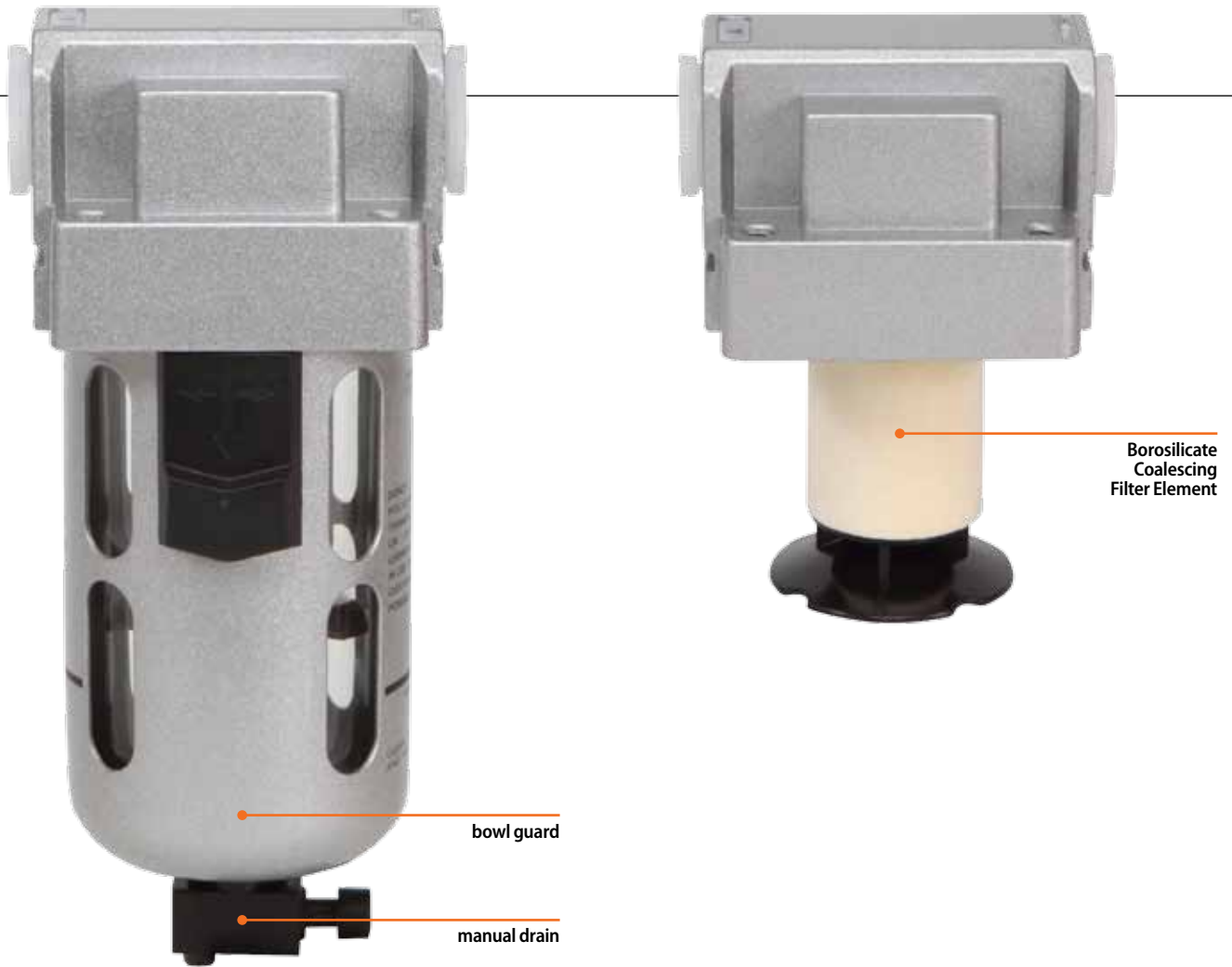
MODULAR MOUNTING KIT, p22



Groz Part #	Ordering #	Groz Part #	Ordering #	Description	Port Size	Flow Rate (Max)**		Bowl Size		Height		Width	
						CFM	LPM	Oz.	ml	in	mm	in	mm
<b>Coalescing Air Filters (0.10 Microns)</b>													
<b>BSP</b>						<b>NPT</b>							
FS13603-S	60800	FS13903-S	60850	Miniature	1/8"	11	300	0.3	9	4.45	113	1.57	40
FS13613-S	60801	FS13913-S	60851	Miniature	1/4"	25	700	0.3	9	4.45	113	1.57	40
FS14613-S	60802	FS14913-S	60852	Intermediate	1/4"	43	1200	1.08	32	5.51	140	2.16	55
FS14623-S	60803	FS14923-S	60853	Intermediate	3/8"	57	1600	1.08	32	5.51	140	2.16	55
FS15633-S	60804	FS15933-S	60854	Standard	1/2"	124	3500	1.5	44	6.77	172	2.75	70

\*\* Inlet Pressure 90 PSI (6 BAR) & Pressure Drop 4.5 PSI (0.3 BAR)





Groz Part #	Ordering #	Groz Part #	Ordering #	Description	Port Size	Flow Rate (Max)**		Bowl Size		Height		Width	
						CFM	LPM	Oz.	ml	in	mm	in	mm
<b>Coalescing Air Filters (0.01 Microns)</b>													
<b>BSP</b>		<b>NPT</b>											
FS13602-S	60820	FS13902-S	60870	Miniature	1/8"	7	200	0.3	9	4.45	113	1.57	40
FS13612-S	60821	FS13912-S	60871	Miniature	1/4"	11	300	0.3	9	4.45	113	1.57	40
FS14612-S	60822	FS14912-S	60872	Intermediate	1/4"	28	800	1.08	32	5.51	140	2.16	55
FS14622-S	60823	FS14922-S	60873	Intermediate	3/8"	32	900	1.08	32	5.51	140	2.16	55
FS15632-S	60824	FS15932-S	60874	Standard	1/2"	48	1350	1.5	44	6.77	172	2.75	70
▲ FS17642-S	60825	FS17942-S	60875	Heavy Duty	3/4"	71	2000	5.6	165	10.24	260	3.54	90
▲ FS17652-S	60826	FS17952-S	60876	Heavy Duty	1"	78	2200	5.6	165	10.24	260	3.54	90

\*\* Inlet Pressure 90 PSI (6 BAR) & Pressure Drop 4.5 PSI (0.3 BAR)

▲ Max. Pressure Limited to 8 BAR (116 PSI)

## L13

### MINIATURE

Max flow rate:  
**48 CFM / 1350 LPM**  
Min flow rate:  
**0.42 CFM / 12 LPM**  
Threaded type steel bowl guard

## L14

### INTERMEDIATE

Max flow rate:  
**106 CFM / 3000 LPM**  
Min flow rate:  
**1.41 CFM / 40 LPM**  
Bayonet type steel bowl guard

## L15

### STANDARD

Max flow rate:  
**200 CFM / 5650 LPM**  
Min flow rate:  
**1.59 CFM / 45 LPM**  
Bayonet type steel bowl guard

## L17

### HEAVY DUTY

Max flow rate:  
**318 CFM / 9000 LPM**  
Min flow rate:  
**1.76 CFM / 50 LPM**  
Bayonet type steel bowl guard



Factory Tested



145 PSI (10 BAR)



Ambient  
0-60°C (32-140°F)



CONFORMS TO  
**ISO 6301-1**

**Air Lubricators** are used to feed lubricants to pneumatic equipment. These maintain a constant oil-to-air density over a wide range of flow.

The Groz L1 series Lubricators are Fog/MicroMist type, upto 50' pipe runs

These have a Die Cast Aluminum Head, polycarbonate bowl with a steel bowl guard. The head is fitted with Oil drop indicator, Oil drop controller & Oil filling plug

**WETTED COMPONENTS:**

Aluminum, Bronze, Steel, Acetal, Polycarbonate, Stainless Steel & Nitrile

**NOTE:** Designed for best performance with 32 grade oil

**WARNING!**

Polycarbonate bowls may get damaged and possibly fail if exposed to synthetic oils, thinner, solvents, trichloroethylene, kerosene or other aromatic hydrocarbons

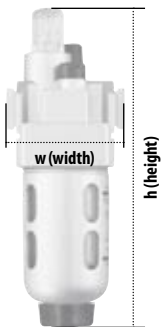
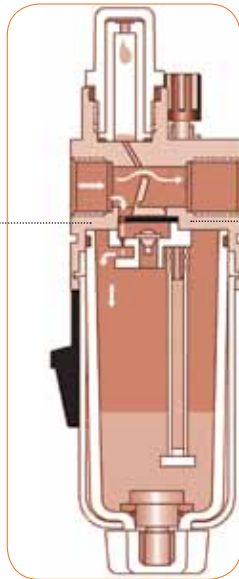
**ACCESSORIES** available



CLAMP, p23



MODULAR MOUNTING KIT, p22



Groz Part #	Ordering #	Groz Part #	Ordering #	Description	Port Size	Flow Rate (Max)**		Bowl Size		Height (h)		Width (w)	
						CFM	LPM	Oz.	ml	in	mm	in	mm
		BSP		NPT									
L1360	60200	L1390	60250	Miniature	1/8"	16	450	0.68	20	5.31	135	1.57	40
L1361	60201	L1391	60251	Miniature	1/4"	48	1350	0.68	20	5.31	135	1.57	40
* L1461	60206	L1491	60256	Intermediate	1/4"	58	1650	1.98	57	6.18	157	2.16	55
L1462	60202	L1492	60252	Intermediate	3/8"	106	3000	1.98	57	6.18	157	2.16	55
L1563	60203	L1593	60253	Standard	1/2"	200	5650	5.13	152	7.48	190	2.75	70
L1764	60204	L1794	60254	Heavy Duty	3/4"	255	7200	6.8	200	10.75	273	3.54	90
L1765	60205	L1795	60255	Heavy Duty	1"	318	9000	6.8	200	10.75	273	3.54	90

\*\* Inlet Pressure 90 PSI (6 BAR) and Pressure Drop 7.5 PSI (0.5 BAR)

\* New

## L13-M

**MINIATURE**  
 Max flow rate:  
 48 CFM / 1350 LPM  
 Min flow rate:  
 0.42 CFM / 12 LPM

## L14-M

**INTERMEDIATE**  
 Max flow rate:  
 106 CFM / 3000 LPM  
 Min flow rate:  
 1.41 CFM / 40 LPM

## L15-M

**STANDARD**  
 Max flow rate:  
 200 CFM / 5650 LPM  
 Min flow rate:  
 1.59 CFM / 45 LPM

## L17-M

**HEAVY DUTY**  
 Max flow rate:  
 318 CFM / 9000 LPM  
 Min flow rate:  
 1.76 CFM / 50 LPM



Factory Tested



290 PSI (20 BAR)



Ambient  
 0-60°C (32-140°F)



CONFORMS TO  
**ISO 6301-1**



Chemical Industry

**Air Lubricators** are used to feed lubricants to pneumatic equipment. These maintain a constant oil-to-air density over a wide range of flow.

The Groz L1-M series Lubricators are Fog/MicroMist type, upto 50' pipe runs. These have a Die Cast Aluminum Head & bowl. The head is fitted with Oil drop indicator, Oil drop controller & Oil filling plug.

Metal Bowl makes them good for use in Chemical plants, Paint shops, pharmaceutical plants, foundries etc. where ambient air may contain chemicals, such as acetone, benzene, kerosene, gasoline, carbon tetrachloride, ethylene dichloride, toluene etc. These are also recommended for high pressure applications and for use with air compressor systems using fire resistant lubricants.

**WETTED COMPONENTS:**

Aluminum, Bronze, Steel, Stainless Steel & Nitrile

**NOTE:** Designed for best performance with 32 grade oil

**ACCESSORIES** available



CLAMP, p23



MODULAR MOUNTING KIT, p22



L1361-M >



Groz Part #	Ordering #	Groz Part #	Ordering #	Description	Port Size	Flow Rate (Max)**		Bowl Size		Height (h)		Width (w)	
						CFM	LPM	Oz.	ml	in	mm	in	mm
L1361-M	60230	L1391-M	60280	Miniature	1/4"	48	1350	0.68	20	5.31	135	1.57	40
* L1461-M	60235	L1491-M	60285	Intermediate	1/4"	58	1650	3.38	100	8.07	205	2.16	55
L1462-M	60231	L1492-M	60281	Intermediate	3/8"	106	3000	3.38	100	8.07	205	2.16	55
L1563-M	60232	L1593-M	60282	Standard	1/2"	200	5650	6.8	200	9.45	240	2.75	70
L1764-M	60233	L1794-M	60283	Heavy Duty	3/4"	255	7200	6.8	200	11	280	3.54	90
L1765-M	60234	L1795-M	60284	Heavy Duty	1"	318	9000	6.8	200	11	280	3.54	90

\*\* Inlet Pressure 90 PSI (6 BAR) and Pressure Drop 7.5 PSI (0.5 BAR) \* New

# Filter Regulator Combination

fr filtre regulateur combinaison  
 sp filtro regulador combinado  
 de filter regler kombination

## FRC13

**MINIATURE**  
 Max flow rate:  
 20 CFM / 550 LPM  
 Threaded Type Steel  
 Bowl Guard

## FRC14

**INTERMEDIATE**  
 Max flow rate:  
 77 CFM / 2200 LPM  
 Bayonet Type Steel Bowl  
 Guard, Regulator with  
 in-built Venturi for Flow  
 Compensation

## FRC15

**STANDARD**  
 Max flow rate:  
 106 CFM / 3000 LPM  
 Bayonet Type Steel Bowl  
 Guard, Regulator with  
 in-built Venturi for Flow  
 Compensation

## FRC17

**HEAVY DUTY**  
 Max flow rate:  
 193 CFM / 5500 LPM  
 Bayonet Type Steel Bowl  
 Guard, Regulator with  
 in-built Venturi for Flow  
 Compensation



Factory Tested



145 PSI (10 BAR)



Ambient  
 0-60°C (32-140°F)



### The Filter-Regulator

**Combination** is one of the most popular air preparation units. The 2 are assembled together to form a single unit

**Air Filter** is used to separate dust, dirt, moisture & other contaminants from compressed air

Filter has a Die Cast Aluminum body, polycarbonate bowl with

a steel bowl guard & a high performance Sintered Bronze Filtering element

Filter is designed with a Separator & Shield for efficient moisture separation. It is combined with a Regulator which maintains a steady outlet pressure, unaffected by variations/fluctuations in the inlet pressure

**Regulators** have a Non Raising "Press to Lock" adjusting knob for locking at any set pressure. Regulators work on a Diaphragm operated, relieving type mechanism with pressure compensated by balanced poppet

**WETTED COMPONENTS:**  
 Aluminum, Bronze, Brass, Steel, Acetal, Polycarbonate, Stainless Steel & Nitrile

### WARNING!

Polycarbonate bowls may get damaged and possibly fail if exposed to synthetic oils, thinner, solvents, trichloroethylene, kerosene or other aromatic hydrocarbons

### STANDARD configuration

- Pressure adjustment range of 7 - 145 PSI (0.5 - 10 BAR)
- 40 micron filtering element
- Press Type Manual Drain with *Night Time Drain* feature which automatically drains off the bowl once the compressed air supply to the filter is switched off

### OPTIONAL configuration

- Custom built include the following Pressure Adjustment ranges:
- 3 - 28 PSI (0.2 - 2 BAR)
  - 3 - 58 PSI (0.2 - 4 BAR)
  - 8 - 100 PSI (0.5 - 7 BAR)
- Custom options for Filtering element:
- 5 Micron    • 25 micron
  - 50 Micron    • 100 Micron
- Drain Type options include an Internal & an External Auto drain



FRC159334-S >

### ACCESSORIES available



CLAMP, p23



MODULAR MOUNTING KIT, p22



PRESSURE GAUGE, p23



	GroZ Part #	Ordering #	GroZ Part #	Ordering #	Description	Port Size	Flow Rate (Max)**		Pressure Gauge	Bowl Size		Height (h)		Width (w)	
							CFM	LPM	Port Size	Oz.	ml	in	mm	in	mm
	FRC136034-S	60300	FRC139034-S	60350	Miniature	1/8"	14	400	1/8"	0.3	9	6.69	170	1.57	40
	FRC136134-S	60301	FRC139134-S	60351	Miniature	1/4"	20	550	1/8"	0.3	9	6.69	170	1.57	40
	FRC146134-S	60302	FRC149134-S	60352	Intermediate	1/4"	63	1800	1/8"	1.08	32	8.66	220	2.17	55
	FRC146234-S	60303	FRC149234-S	60353	Intermediate	3/8"	77	2200	1/8"	1.08	32	8.66	220	2.17	55
	FRC156334-S	60304	FRC159334-S	60354	Standard	1/2"	106	3000	1/8"	1.5	44	11.02	280	2.76	70
	FRC176434-S	60305	FRC179434-S	60355	Heavy Duty	3/4"	149	4250	1/4"	5.6	165	14.6	370	3.54	90
	FRC176534-S	60306	FRC179534-S	60356	Heavy Duty	1"	193	5500	1/4"	5.6	165	14.6	370	3.54	90

\*\* Inlet Pressure 105 PSI (7BAR). Set Pressure 90 PSI (6 BAR). Pressure Drop 17 PSI (1 BAR)

# 08 Filter Regulator Combination - Metal Bowl

fr filtre regulateur combinaison - cuvette en métal  
sp filtro regulador combinado - tazón del metal  
de filter regler kombination - metallschüssel

## FRC13-M

**MINIATURE**  
Max flow rate:  
20 CFM / 550 LPM

## FRC14-M

**INTERMEDIATE**  
Max flow rate:  
77 CFM / 2200 LPM  
In-built Venturi for  
Flow Compensation

## FRC15-M

**STANDARD**  
Max flow rate:  
106 CFM / 3000 LPM  
In-built Venturi for  
Flow Compensation

## FRC17-M

**HEAVY DUTY**  
Max flow rate:  
193 CFM / 5500 LPM  
In-built Venturi for  
Flow Compensation



Factory Tested



215 PSI (15 BAR)



Ambient  
0-60°C (32-140°F)



Chemical Industry

The **Filter-Regulator Combination** is one of the most popular air Preparation units. The 2 are assembled together to form a single unit. Air Filter is used to separate dust, dirt, moisture & other contaminants from compressed air. Combined with a Regulator which maintains a steady outlet pressure, unaffected by variations/fluctuations in the inlet pressure

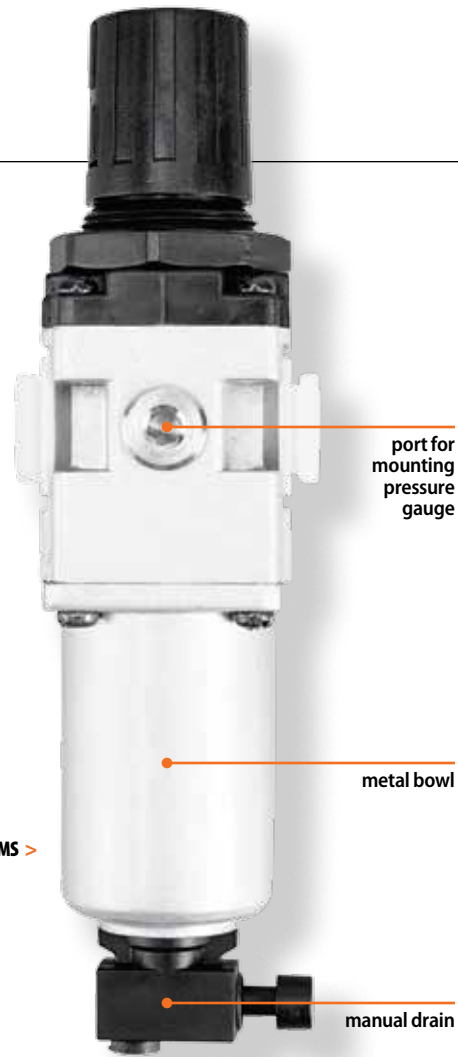
Filter has a Die Cast Aluminum body & bowl, fitted with a high performance Sintered Bronze Filtering element. Metal Bowl makes these good for use in Chemical plants, Paint shops, pharmaceutical plants, foundry etc. where ambient air may

contain chemicals, such as acetone, benzene, kerosene, gasoline, carbon tetrachloride, ethylene dichloride, toluene etc. Also recommended for high pressure applications and for use with air compressor systems using fire resistant lubricants

Regulators have a Non Raising "Press to Lock" adjusting knob for locking at any set pressure. Regulators work on a Diaphragm operated, relieving type mechanism with pressure compensated by balanced poppet

### WETTED COMPONENTS:

Aluminum, Bronze, Steel, Acetal, Brass, Stainless Steel & Nitrile



FRC136134-MS >

### STANDARD configuration

- Pressure adjustment range of 7 - 145 PSI (0.5 - 10 BAR)
- 40 micron filtering element
- Press Type Manual Drain with *Night Time Drain* feature which automatically drains off the bowl once the compressed air supply to the filter is switched off

### OPTIONAL configurations

Custom built include the following Pressure Adjustment ranges:

- 3 - 28 PSI (0.2 - 2 BAR)
- 3 - 58 PSI (0.2 - 4 BAR)
- 8 - 100 PSI (0.5 - 7 BAR)

Custom options for Filtering element:

- 5 Micron • 25 micron
- 50 Micron • 100 Micron

Drain Type options include an Internal & an External Auto drain

### ACCESSORIES available



CLAMP, p23



MODULAR MOUNTING KIT, p22



PRESSURE GAUGE, p23



Groz Part #	Ordering #	Groz Part #	Ordering #	Description	Port Size	Flow Rate (Max)**		Pressure Gauge	Bowl Size		Height (h)		Width (w)	
						CFM	LPM		Port Size	Oz.	ml	in	mm	in
								BSP						
FRC136134-MS	60330	FRC139134-MS	60380	Miniature	1/4"	20	550	1/8"	0.3	9	6.77	172	1.57	40
* FRC146134-MS	60329	FRC149134-MS	60379	Intermediate	1/4"	63	1800	1/8"	2.17	64	10.43	265	2.17	55
FRC146234-MS	60331	FRC149234-MS	60381	Intermediate	3/8"	77	2200	1/8"	2.17	64	10.43	265	2.17	55
FRC156334-MS	60332	FRC159334-MS	60382	Standard	1/2"	106	3000	1/8"	3.0	90	13	330	2.76	70
FRC176434-MS	60333	FRC179434-MS	60383	Heavy Duty	3/4"	149	4250	1/4"	5.6	165	14.6	370	3.54	90
FRC176534-MS	60334	FRC179534-MS	60384	Heavy Duty	1"	193	5500	1/4"	5.6	165	14.6	370	3.54	90

\*\* Inlet Pressure 105 PSI (7BAR). Set Pressure 90 PSI (6 BAR). Pressure Drop 17 PSI (1 BAR)

\* New

## FRCLM-13

**MINIATURE**  
 Max flow rate:  
 18 CFM / 500 LPM  
 Min flow rate:  
 0.42 CFM / 12 LPM  
 Threaded type steel  
 bowl guard

## FRCLM-14

**INTERMEDIATE**  
 Max flow rate:  
 63 CFM / 1800 LPM  
 Min flow rate:  
 1.41 CFM / 40 LPM  
 Bayonet type steel bowl  
 guard, Regulator with  
 in-built Venturi for  
 Flow Compensation

## FRCLM-15

**STANDARD**  
 Max flow rate:  
 99 CFM / 2800 LPM  
 Min flow rate:  
 1.59 CFM / 45 LPM  
 Bayonet type steel bowl  
 guard, Regulator with  
 in-built Venturi for  
 Flow Compensation

## FRCLM-17

**HEAVY DUTY**  
 Max flow rate:  
 140 CFM / 4000 LPM  
 Min flow rate:  
 1.76 CFM / 50 LPM  
 Bayonet type steel bowl  
 guard, Regulator with  
 in-built Venturi for  
 Flow Compensation



Factory Tested



145 PSI (10 BAR)



Ambient  
 0-60°C (32-140°F)



Space saving 2 pc Modular Filter-Regulator Combination & Lubricator is by far the most popular Air Preparation unit.

The Filter-Regulator Combination & Lubricator are attached in series using spacers & piping adapters, which makes the 2 components easily removable / mountable without disturbing the pipe line. Come complete with a wall mounting bracket

Air Filter is used to separate dust, dirt, moisture & other contaminants from compressed air. Filter has a Die Cast Aluminum body, polycarbonate bowl with a steel bowl guard & a high performance Sintered Bronze Filtering element. Filter is designed with a Separator & shield for efficient moisture separation.

### WARNING!

Polycarbonate bowls may get damaged and possibly fail if exposed to synthetic oils, thinner, solvents, trichloroethylene, kerosene or other aromatic hydrocarbons

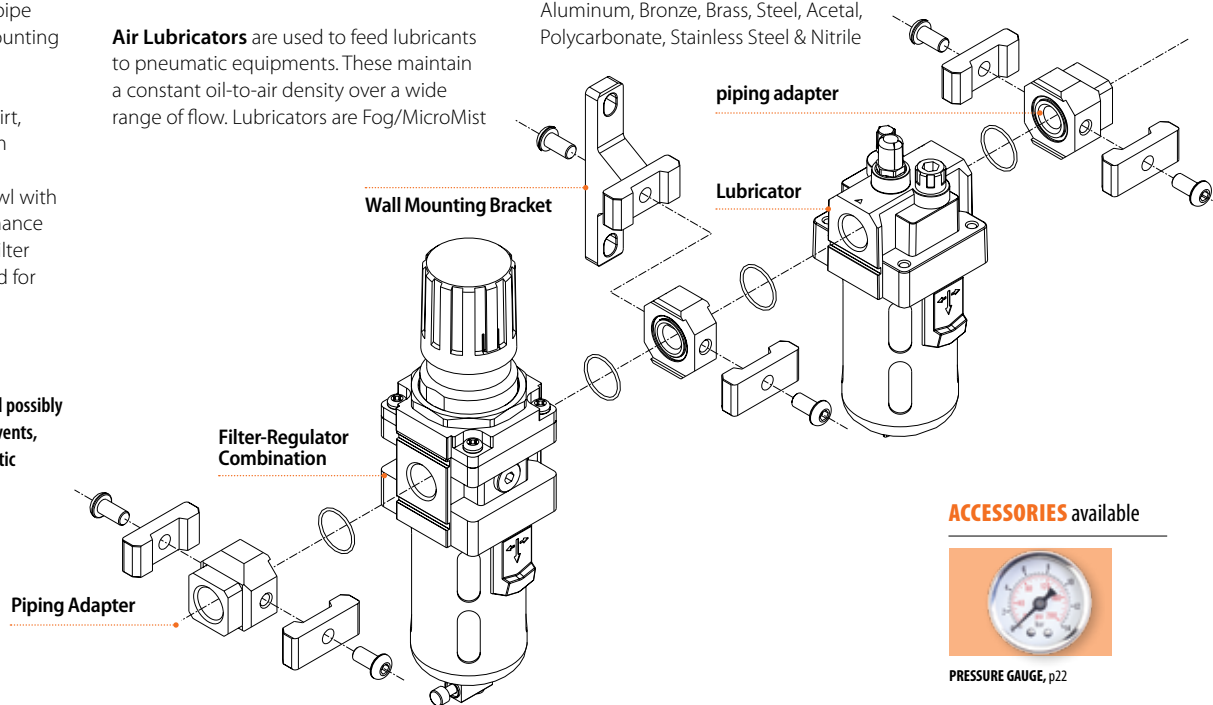
Regulator maintains a steady outlet pressure, unaffected by variations/ fluctuations in the inlet pressure. Regulators have a Non Raising "Press to Lock" adjusting knob for locking at any set pressure. Regulators work on a Diaphragm operated, relieving type mechanism with pressure compensated by balanced poppet

Air Lubricators are used to feed lubricants to pneumatic equipments. These maintain a constant oil-to-air density over a wide range of flow. Lubricators are Fog/MicroMist

type, upto 50' pipe runs. Designed for best performance with 32 grade oil. These have a Die Cast Aluminum Head, polycarbonate bowl with a steel bowl guard. The head is fitted with Oil drop indicator, Oil drop controller & Oil filling plug

#### WETTED COMPONENTS:

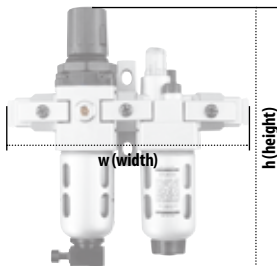
Aluminum, Bronze, Brass, Steel, Acetal, Polycarbonate, Stainless Steel & Nitrile



#### ACCESSORIES available



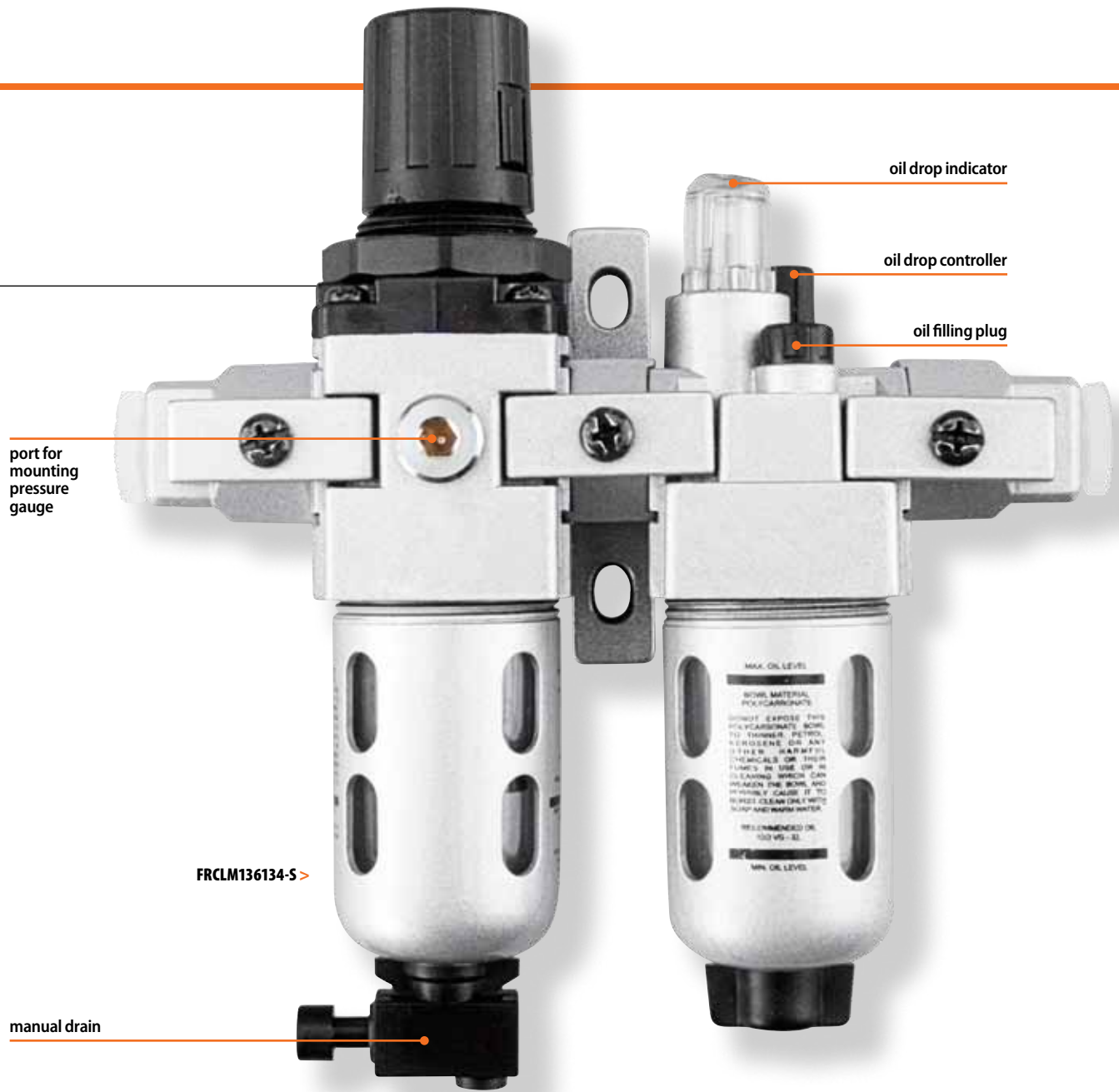
PRESSURE GAUGE, p22



Groz Part #	Ordering #	Groz Part #	Ordering #	Description	Port Size	Flow Rate (Max)**		Pressure Gauge (Port Size)	Bowl Size (Filter)		Bowl Size (Lubricator)	
						CFM	LPM		Oz.	ml	Oz.	ml
						BSP		NPT				
FRCLM136134-S	60400	FRCLM139134-S	60450	Miniature	1/4"	18	500	1/8"	0.3	9	0.68	20
* FRCLM146134-S	60420	FRCLM149134-S	60470	Intermediate	1/4"	53	1500	1/8"	1.08	32	1.93	57
FRCLM146234-S	60401	FRCLM149234-S	60451	Intermediate	3/8"	63	1800	1/8"	1.08	32	1.93	57
FRCLM156334-S	60402	FRCLM159334-S	60452	Standard	1/2"	99	2800	1/8"	1.5	44	5.17	152
FRCLM176434-S	60403	FRCLM179434-S	60453	Heavy Duty	3/4"	123	3500	1/4"	5.6	165	6.80	200
FRCLM176534-S	60404	FRCLM179534-S	60454	Heavy Duty	1"	140	4000	1/4"	5.6	165	6.80	200

\*\* Inlet Pressure 105 PSI (7BAR). Set Pressure 90 PSI (6 BAR). Pressure Drop 17 PSI (1 BAR)

\* New



FRCLM136134-5 >

Height (h)		Width (w)	
in	mm	in	mm
6.69	170	5.75	146
8.66	220	7.17	182
8.66	220	7.17	182
11.02	280	8.66	220
14.6	370	10.63	270
14.6	370	10.63	270

**STANDARD** configuration

- Pressure adjustment range of 7 - 145 PSI (0.5 - 10 BAR)
- 40 micron filtering element
- Press Type Manual Drain with *Night Time Drain* feature which automatically drains off the bowl once the compressed air supply to the filter is switched off

**OPTIONAL** configurations

- Custom built include the following Pressure Adjustment ranges:
- 3 - 28 PSI (0.2 - 2 BAR)
  - 3 - 58 PSI (0.2 - 4 BAR)
  - 8 - 100 PSI (0.5 - 7 BAR)
- Custom options for Filtering element:
- 5 Micron    • 25 micron
  - 50 Micron    • 100 Micron
- Drain Type options include an Internal & an External Auto drain



# 10 Filter-Regulator-Lubricator - 2 pc, Metal Bowl

fr  
sp  
de

filtre regulateur combinaison - graisseur - 2 morceaux - cuvette en métal  
 filtro regulador combinado - lubricador - 2 pedazos - tazón del metal  
 filter regler kombination - schmiervorrichtung - 2 stücke - metallbehälter

## FRCLM13-M

**MINIATURE**  
 Max flow rate:  
 18 CFM / 500 LPM  
 Min flow rate:  
 0.42 CFM / 12 LPM

## FRCLM14-M

**INTERMEDIATE**  
 Max flow rate:  
 63 CFM / 1800 LPM  
 Min flow rate:  
 1.41 CFM / 40 LPM  
 Regulator with in-built Venturi  
 for Flow Compensation

## FRCLM15-M

**STANDARD**  
 Max flow rate:  
 99 CFM / 2800 LPM  
 Min flow rate:  
 1.59 CFM / 45 LPM  
 Regulator with in-built Venturi  
 for Flow Compensation

## FRCLM17-M

**HEAVY DUTY**  
 Max flow rate:  
 140 CFM / 4000 LPM  
 Min flow rate:  
 1.76 CFM / 50 LPM  
 Regulator with in-built Venturi  
 for Flow Compensation



Factory Tested



215 PSI (15 BAR)



Ambient  
 0-60°C (32-140°F)



Chemical Industry

Space saving 2 pc Modular Filter-Regulator Combination & Lubricator is by far the most popular Air Preparation unit. The Filter-Regular Combination & Lubricator are attached in series using spacers & piping adapters, which makes the individual components easily removable / mountable without disturbing the pipe line. These come complete with wall mounting bracket

**Air Filter** is used to separate dust, dirt, moisture & other contaminants from compressed air. Filter has a Die Cast Aluminum body & bowl with a high performance Sintered Bronze Filtering element. Filter is designed with a Separator & shield for efficient moisture separation.

**Regulator** maintains a steady outlet pressure, unaffected by variations/fluctuations in the inlet pressure. Regulators have a Non Raising "Press to Lock" adjusting knob for locking at any set pressure. Regulators work on a Diaphragm operated, relieving type mechanism with pressure compensated by balanced poppet

**Air Lubricators** are used to feed lubricants to pneumatic equipments. These maintain a constant oil-to-air density over a wide range of flow. Lubricators are Fog/MicroMist type, upto 50' pipe runs.

Designed for best performance with 32 grade oil. These have a Die Cast Aluminum

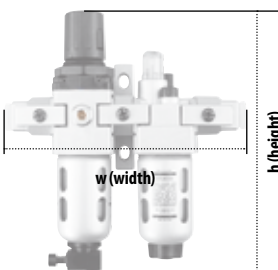
head & bowl. The head is fitted with Oil Drop Indicator, Oil drop controller & Oil Filling Plug.

Metal Bowl makes these good for use in Chemical plants, Paint shops, pharmaceutical plants, foundries etc. where ambient air may contain chemicals, such as acetone, benzene, kerosene, gasoline, carbon tetrachloride, ethylene dichloride, toluene etc.

Also recommended for high pressure applications and for use with air compressor systems using fire resistant lubricants.

### WETTED COMPONENTS:

Aluminum, Bronze, Steel, Acetal, Brass, Stainless Steel & Nitrile

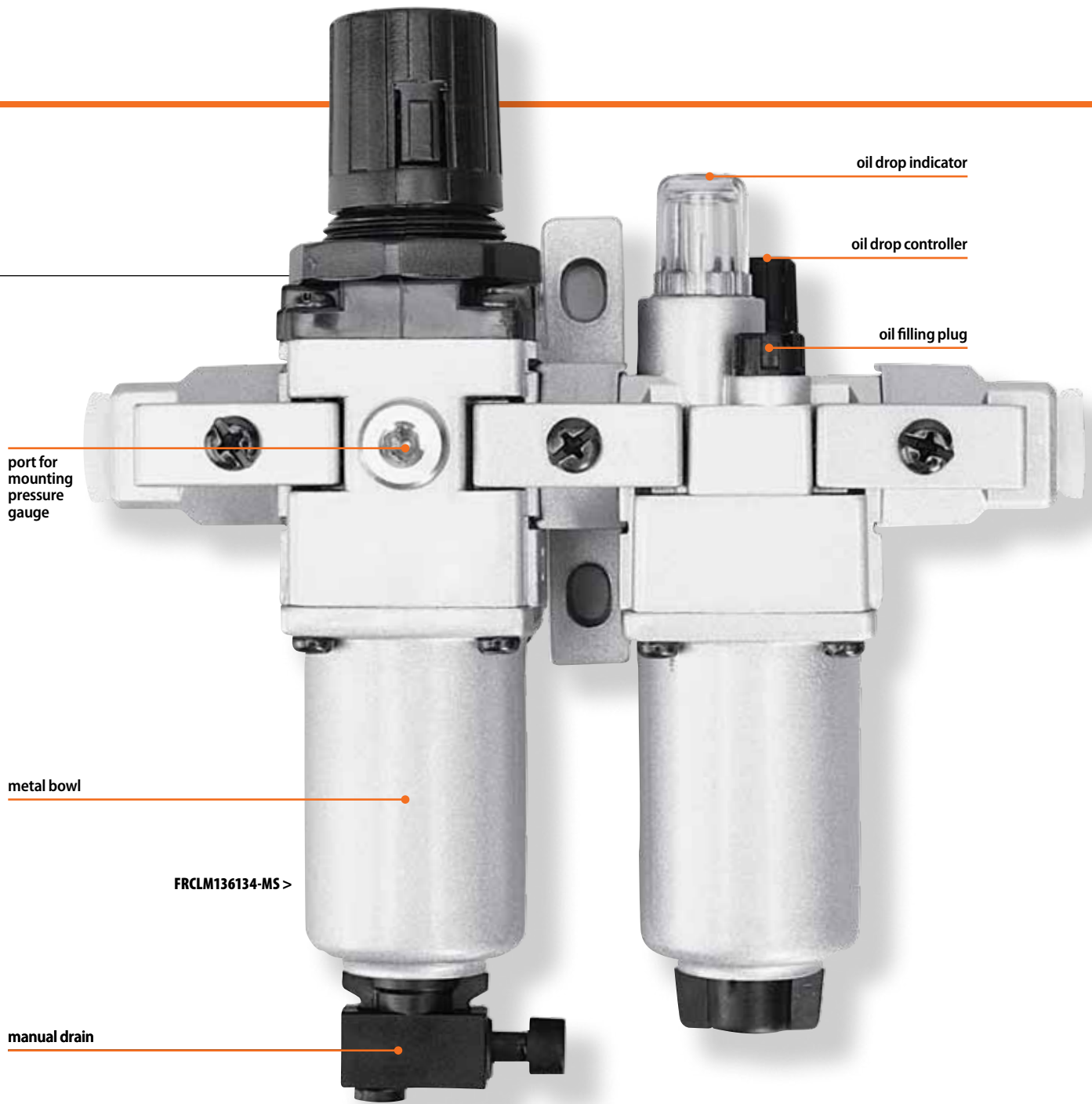


	Groz Part #	Ordering #	Groz Part #	Ordering #	Description	Port Size	Flow Rate (Max)**		Pressure Gauge	Bowl Size (Filter)		Bowl Size (Lubricator)	
							CFM	LPM		Port Size	Oz.	ml	Oz.
	BSP		NPT										
	FRCLM136134-MS	60430	FRCLM139134-MS	60480	Miniature	1/4"	18	500	1/8"	0.3	9	0.68	20
	* FRCLM146134-MS	60429	FRCLM149134-MS	60479	Intermediate	1/4"	53	1500	1/8"	2.15	64	3.38	100
	FRCLM146234-MS	60431	FRCLM149234-MS	60481	Intermediate	3/8"	63	1800	1/8"	2.15	64	3.38	100
	FRCLM156334-MS	60432	FRCLM159334-MS	60482	Standard	1/2"	99	2800	1/8"	3.0	90	6.8	200
	FRCLM176434-MS	60433	FRCLM179434-MS	60483	Heavy Duty	3/4"	123	3500	1/4"	5.6	165	6.8	200
	FRCLM176534-MS	60434	FRCLM179534-MS	60484	Heavy Duty	1"	140	4000	1/4"	5.6	165	6.8	200

\*\* Inlet Pressure 105 PSI (7BAR). Set Pressure 90 PSI (6 BAR). Pressure Drop 17 PSI (1 BAR)

\* New





FRCLM136134-MS >

Height (h)		Width (w)	
in	mm	in	mm
6.69	170	5.75	146
10.43	265	7.17	182
10.43	265	7.17	182
13	330	8.66	220
14.5	370	10.63	270
14.5	370	10.63	270

#### STANDARD configuration

- Pressure adjustment range of 7 - 145 PSI (0.5 - 10 BAR)
- 40 micron filtering element
- Press Type Manual Drain with *Night Time Drain* feature which automatically drains off the bowl once the compressed air supply to the filter is switched off

#### OPTIONAL configurations

Custom built include the following Pressure Adjustment ranges:

- 3 - 28 PSI (0.2 - 2 BAR)
- 3 - 58 PSI (0.2 - 4 BAR)
- 8 - 100 PSI (0.5 - 7 BAR)

Custom options for Filtering element:

- 5 Micron    • 25 micron
- 50 Micron    • 100 Micron

Drain Type options include an Internal & an External Auto drain

#### ACCESSORIES available



PRESSURE GAUGE, p23

# 11 Filter-Regulator-Lubricator - 3 pc

fr filtre regulateur graisseur - 3 morceaux  
 sp filtro regulador lubricador - 3 pedazos  
 de filter regler schmiervorrichtung - 3 stücke

## FRLM-13

### MINIATURE

Max flow rate:  
18 CFM / 500 LPM  
Min flow rate:  
0.42 CFM / 12 LPM  
Threaded Type Steel  
Bowl Guard

## FRLM-14

### INTERMEDIATE

Max flow rate:  
71 CFM / 2000 LPM  
Min flow rate:  
1.41 CFM / 40 LPM  
Bayonet Type Steel Bowl Guard,  
Regulator with in-built Venturi  
for Flow Compensation

## FRLM-15

### STANDARD

Max flow rate:  
106 CFM / 3000 LPM  
Min flow rate:  
1.59 CFM / 45 LPM  
Bayonet Type Steel Bowl Guard,  
Regulator with in-built Venturi  
for Flow Compensation

## FRLM-17

### HEAVY DUTY

Max flow rate:  
175 CFM / 5000 LPM  
Min flow rate:  
1.76 CFM / 50 LPM  
Bayonet Type Steel Bowl  
Guard, Regulator with in-built  
Venturi for Flow Compensation



Factory Tested



145 PSI (10 BAR)



Ambient  
0-60°C (32-140°F)



The Filter-Regulator-Lubricator is a 3 pc assembly of all 3 individual components. The 3 components are attached in series using spacers & piping adapters, which makes the individual components easily removable / mountable without disturbing the pipe line. Comes complete with wall mounting bracket

**Air Filter** is used to separate dust, dirt, moisture & other contaminants from compressed air. Filter has a Die Cast Aluminum body, polycarbonate bowl with a steel bowl guard & a high performance Sintered Bronze Filtering element. Filter is designed with a Separator & shield for efficient moisture separation

### WARNING!

Polycarbonate bowls may get damaged and possibly fail if exposed to synthetic oils, thinner, solvents, trichloroethylene, kerosene or other aromatic hydrocarbons

### ACCESSORIES available



PRESSURE GAUGE, p23

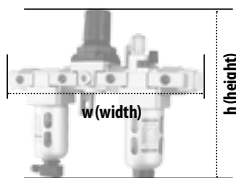
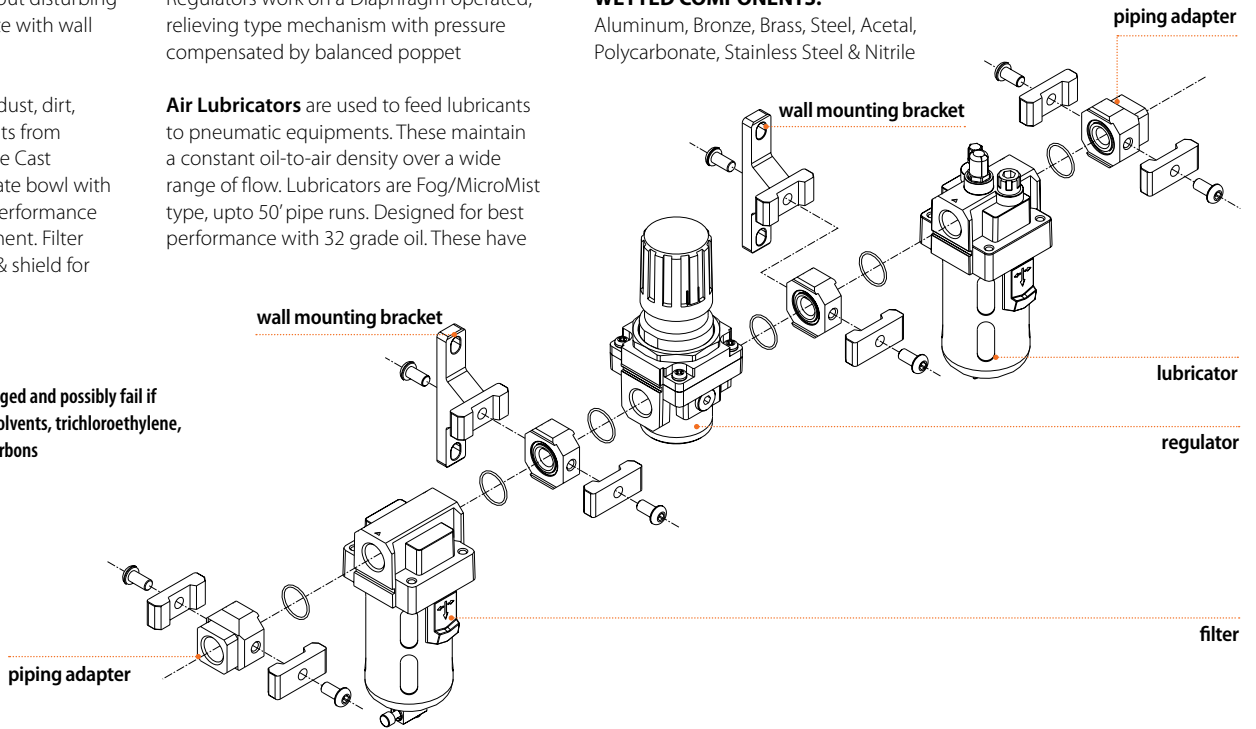
**Regulator** maintains a steady outlet pressure, unaffected by variations/ fluctuations in the inlet pressure. Regulators have a Non Raising "Press to Lock" adjusting knob for locking at any set pressure. Regulators work on a Diaphragm operated, relieving type mechanism with pressure compensated by balanced poppet

**Air Lubricators** are used to feed lubricants to pneumatic equipments. These maintain a constant oil-to-air density over a wide range of flow. Lubricators are Fog/MicroMist type, upto 50' pipe runs. Designed for best performance with 32 grade oil. These have

a Die Cast Aluminum Head, polycarbonate bowl with a steel bowl guard. The head is fitted with Oil Drop Indicator, Oil drop controller & Oil Filling Plug

### WETTED COMPONENTS:

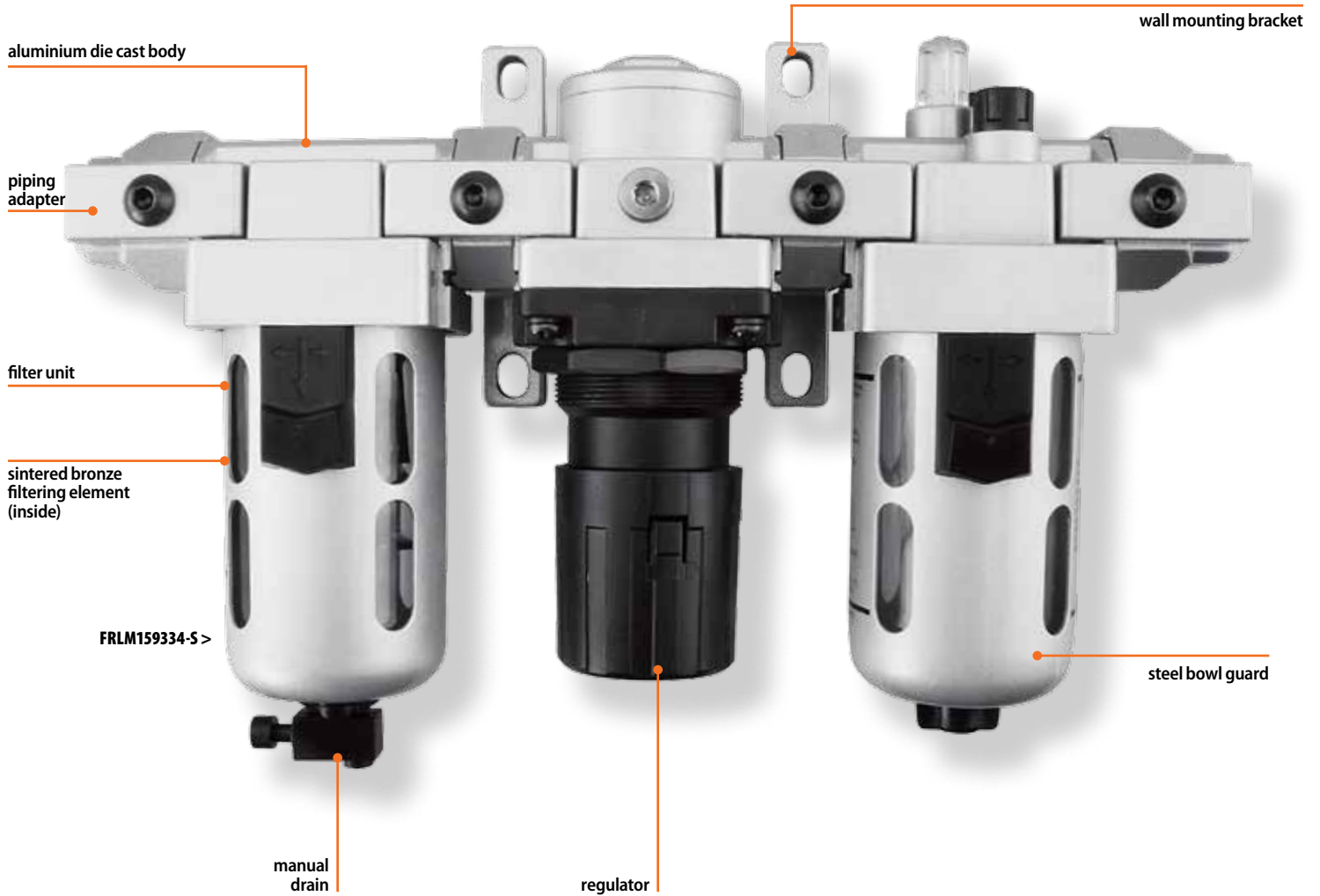
Aluminum, Bronze, Brass, Steel, Acetal, Polycarbonate, Stainless Steel & Nitrile



Groz Part #	Ordering #	Groz Part #	Ordering #	Description	Port Size	Flow Rate (Max)**		Pressure Gauge (Port Size)	Bowl Size (Filter)		Bowl Size (Lubricator)	
						CFM	LPM		Oz.	ml	Oz.	ml
		<b>BSP</b>	<b>NPT</b>									
FRLM136134-S	60500	FRLM139134-S	60550	Miniature	1/4"	18	500	1/8"	0.3	9	0.68	20
* FRLM146134-S	60520	FRLM149134-S	60570	Intermediate	1/4"	46	1300	1/8"	1.08	32	1.93	57
FRLM146234-S	60501	FRLM149234-S	60551	Intermediate	3/8"	71	2000	1/8"	1.08	32	1.93	57
FRLM156334-S	60502	FRLM159334-S	60552	Standard	1/2"	106	3000	1/8"	1.5	44	5.17	152
FRLM176434-S	60503	FRLM179434-S	60553	Heavy Duty	3/4"	123	3500	1/4"	5.6	165	6.8	200
FRLM176534-S	60504	FRLM179534-S	60554	Heavy Duty	1"	175	5000	1/4"	5.6	165	6.8	200

\*\* Inlet Pressure 105 PSI (7BAR). Set Pressure 90 PSI (6 BAR). Pressure Drop 17 PSI (1 BAR)

\* New



Height (h)		Width (w)	
in	mm	in	mm
6.69	170	7.87	200
8.66	220	9.84	250
8.66	220	9.84	250
11.02	280	12.00	305
14.6	370	14.6	370
14.6	370	14.6	370

#### STANDARD configuration

- Pressure adjustment range of 7 - 145 PSI (0.5 - 10 BAR)
- 40 micron filtering element
- Press Type Manual Drain with *Night Time Drain* feature which automatically drains off the bowl once the compressed air supply to the filter is switched off

#### OPTIONAL configuration

- Custom built include the following Pressure Adjustment ranges:
- 3 - 28 PSI (0.2 - 2 BAR)
  - 3 - 58 PSI (0.2 - 4 BAR)
  - 8 - 100 PSI (0.5 - 7 BAR)
- Custom options for Filtering element:
- 5 Micron    • 25 micron
  - 50 Micron    • 100 Micron
- Drain Type options include an Internal & an External Auto drain



# 12 Filter-Regulator-Lubricator, 3 pc, Metal Bowl

fr  
sp  
de  
 filtre regulateur graisseur - 3 morceaux -Cuvette en métal  
 filtro regulador lubricador - 3 pedazos -tazón del metal  
 filter regler schmiervorrichtung - 3 stücke - metallbehälter

## FRLM13-M

**MINIATURE**  
 Max flow rate:  
 18 CFM / 500 LPM  
 Min flow rate:  
 0.42 CFM / 12 LPM

## FRLM14-M

**INTERMEDIATE**  
 Max flow rate:  
 71 CFM / 2000 LPM  
 Min flow rate:  
 1.41 CFM / 40 LPM  
 Regulator with in-built Venturi  
 for Flow Compensation

## FRLM15-M

**STANDARD**  
 Max flow rate:  
 106 CFM / 3000 LPM  
 Min flow rate:  
 1.59 CFM / 45 LPM  
 Regulator with in-built Venturi  
 for Flow Compensation

## FRLM17-M

**HEAVY DUTY**  
 Max flow rate:  
 175 CFM / 5000 LPM  
 Min flow rate:  
 1.76 CFM / 50 LPM  
 Regulator with in-built Venturi  
 for Flow Compensation



Factory Tested



215 PSI (15 BAR)



Ambient  
 0-60°C (32-140°F)



Chemical Industry

The Filter-Regulator-Lubricator is a 3 pc assembly of all 3 individual components. The 3 components are attached in series using spacers & piping adapters, which makes the individual components easily removable / mountable without disturbing the pipe line. These come complete with wall mounting brackets

**Air Filter** is used to separate dust, dirt, moisture & other contaminants from compressed air. Filter has a Die Cast Aluminum body & bowl with a high performance Sintered Bronze Filtering element. Filter is designed with a Separator & shield for efficient moisture separation

**Regulator** maintains a steady outlet pressure, unaffected by variations/ fluctuations in the inlet pressure. Regulators have a Non Raising "Press to Lock" adjusting knob for locking at any set pressure. Regulators work on a Diaphragm operated, relieving type mechanism with pressure compensated by balanced poppet

**Air Lubricators** are used to feed lubricants to pneumatic equipments. These maintain a constant oil-to-air density over a wide range of flow. Lubricators are Fog/MicroMist type, upto 50' pipe runs. Designed for best performance with 32 grade oil. These have a Die Cast Aluminum

head & bowl .The head is fitted with Oil Drop Indicator, Oil drop controller & Oil Filling Plug.

Metal Bowl makes them good for use in Chemical plants, Paint shops, pharmaceutical plants, foundry etc. where ambient air may contain chemicals, such as acetone, benzene, kerosene, gasoline, carbon tetrachloride, ethylene dichloride, toluene etc. These are also recommended for high pressure applications and for use with air compressor systems using fire resistant lubricants

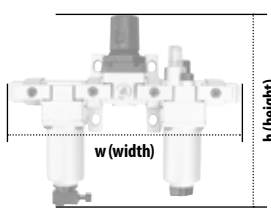
### WETTED COMPONENTS:

Aluminum, Bronze, Brass, Steel, Acetal, Brass, Stainless Steel & Nitrile

### ACCESSORIES available

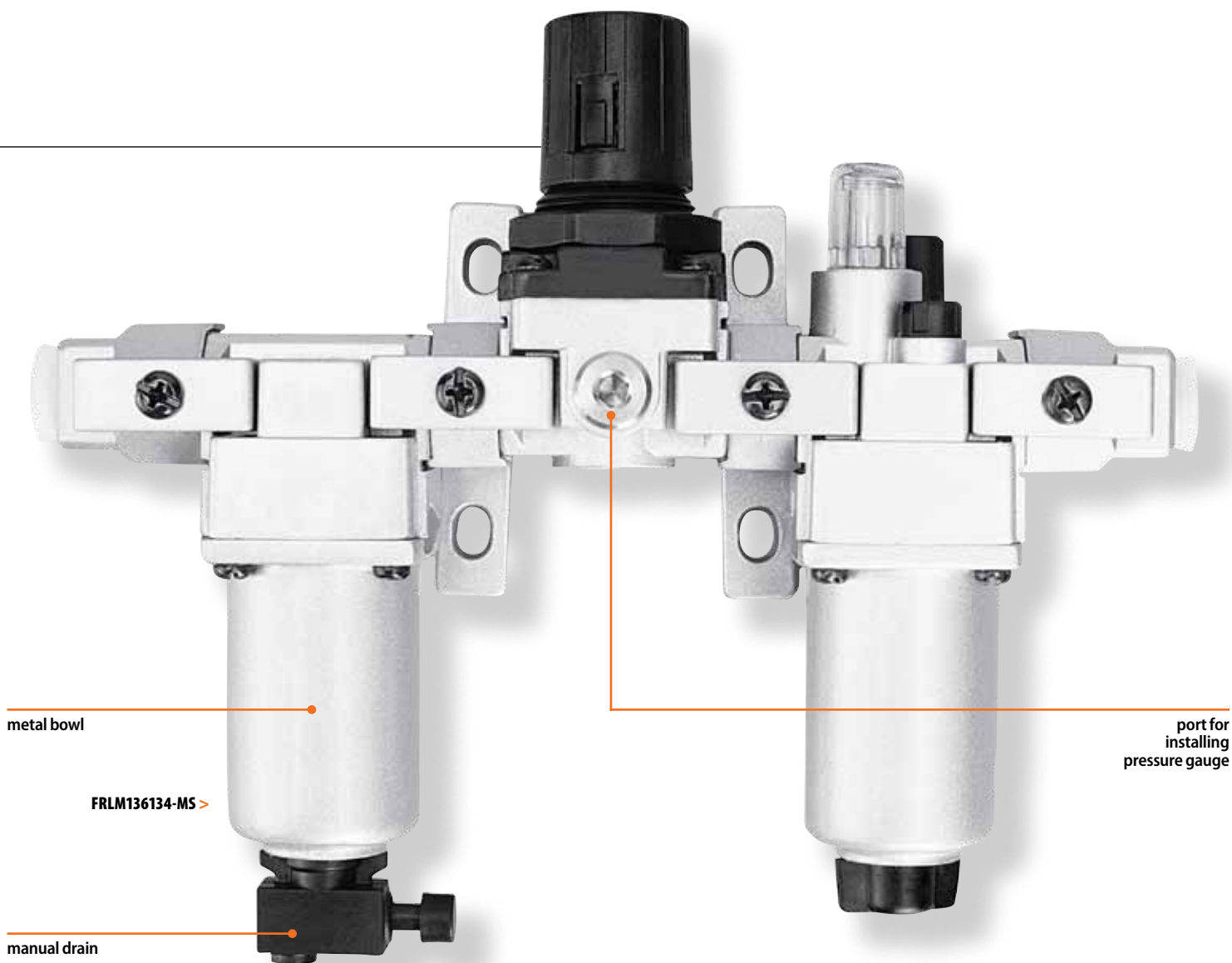


PRESSURE GAUGE, p23

	Groz Part #	Ordering #	Groz Part #	Ordering #	Description	Port Size	Flow Rate (Max)**		Pressure Gauge	Bowl Size (Filter)		Bowl Size (Lubricator)	
							CFM	LPM		Port Size	Oz.	ml	Oz.
	BSP		NPT										
	FRLM136134-MS	60530	FRLM139134-MS	60580	Miniature	1/4"	18	500	1/8"	0.30	9	0.68	20
	* FRLM146134-MS	60529	FRLM149134-MS	60579	Intermediate	1/4"	46	1300	1/8"	2.15	64	3.38	100
	FRLM146234-MS	60531	FRLM149234-MS	60581	Intermediate	3/8"	71	2000	1/8"	2.15	64	3.38	100
	FRLM156334-MS	60532	FRLM159334-MS	60582	Standard	1/2"	106	3000	1/8"	3.0	90	6.8	200
	FRLM176434-MS	60533	FRLM179434-MS	60583	Heavy Duty	3/4"	123	3500	1/4"	5.6	165	6.8	200
	FRLM176534-MS	60534	FRLM179534-MS	60584	Heavy Duty	1"	175	5000	1/4"	5.6	165	6.8	200

\*\* Inlet Pressure 105 PSI (7BAR). Set Pressure 90 PSI (6 BAR). Pressure Drop 17 PSI (1 BAR)

\* New



Height (h)		Width (w)	
in	mm	in	mm
6.69	170	7.87	200
10.43	265	9.84	250
10.43	265	9.84	250
13.0	330	12.00	305
14.6	370	14.6	370
14.6	370	14.6	370

#### STANDARD configuration

- Pressure adjustment range of 7 - 145 PSI (0.5 - 10 BAR)
- 40 micron filtering element
- Press Type Manual Drain with *Night Time Drain* feature which automatically drains off the bowl once the compressed air supply to the filter is switched off

#### OPTIONAL configurations

Custom built include the following Pressure

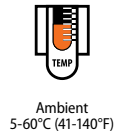
Adjustment ranges:

- 3 - 28 PSI (0.2 - 2 BAR)
- 3 - 58 PSI (0.2 - 4 BAR)
- 8 - 100 PSI (0.5 - 7 BAR)

Custom options for Filtering element:

- 5 Micron    • 25 micron
- 50 Micron    • 100 Micron

Drain Type options include an Internal & an External Auto drain



**VERTICAL**  
MOUNTING

Condensate in compressed air causes corrosion in the pneumatic components which severely affect the function of the pneumatic system / any machinery using compressed air

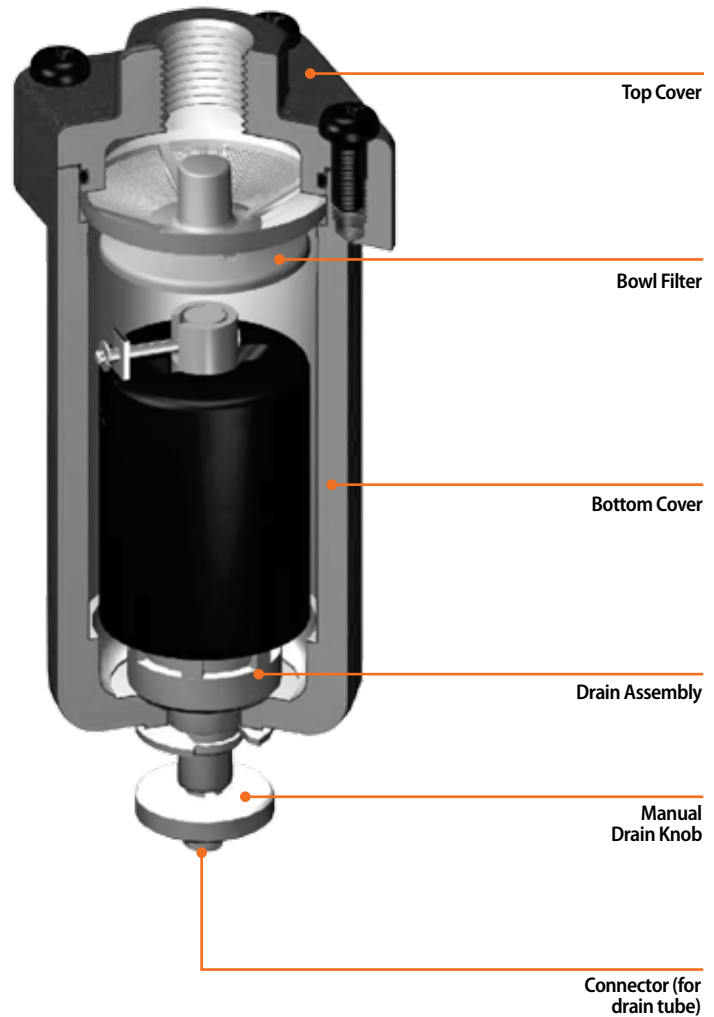
In order to prevent this & give system an increased life, Automatic Line Drain is fitted to the main airline piping to drain the condensate as and when collected. Automatic Line Drain is not a moisture separator. It drains only the condensate collected.

These units can be used with great advantage in pneumatic lines in foundries, textile mills, industrial shop floor, painting, pneumatic lines in process industries, etc.

Float type, hence no electrical connections required. When the condensate level increases, the float moves up & drains the condensate automatically  
 Cast Aluminum Body  
 Includes Manual Drain option  
 Provision for drain tube connection, to take the condensate away from the unit, to keep the working area clean.

**WETTED COMPONENTS**

Aluminum, Brass, Acetal, Stainless Steel & Nitrile



Groz Part #	Ordering #	Threads	Condensate Discharge Capacity
NL161	60625	¼" BSP	60 ml / minute
NL191	60626	¼" NPT	2 oz. / minute

**SPACER**

Spacer Blocks are used to connect 2 components in modular assemblies. These are Aluminum Die cast & have sealing rings fitted into them on both sides. The Sealing rings make a leak proof connection, without the need to have a threaded fitment

Groz Part #	Ordering #	For use with Model Series
A2S01	60650	Miniature - F13, FS13, L13, R13, FRC13
A2S02	60651	Intermediate - F14, FS14, L14, R14, FRC14
A2S03	60652	Standard - F15, FS15, L15, R15, FRC15
A2S04	60653	Heavy Duty - F17, FS17, L17, R17, FRC17

**SPACER WITH PORT FOR AIR OUTLET****NEW!**

It is installed before the lubricator. This allows taking out non lubricated air where required

Groz Part #	Ordering #	For use with Model Series
A2T01	60654	Miniature - F13, FS13, L13, R13, FRC13
A2T02	60655	Intermediate - F14, FS14, L14, R14, FRC14
A2T03	60656	Standard - F15, FS15, L15, R15, FRC15

**PIPING ADAPTERS**

Air Preparation components such as Individual Regulators, Filters, Lubricators or assemblies such as Filter-Regulator Assembly or a Filter Regulator Lubricator Assembly always have an IN port & an OUT port. These ports are threaded & air pipe lines can be fitted directly into them. However by doing so, if any component needs to be removed for maintenance, repair etc., one would need to open up the complete air line. This can be avoided by using Piping Adapters. A piping adapter has a threaded end on one side & sealing rings on the other. The adapters are fitted on both the IN port & the OUT port & the Air line would be screwed into them. The threaded end of the adapter faces the air line & the other end with the sealing ring makes the seal with the component. Piping adapter has an Aluminum die cast construction

Groz Part #	Ordering #	Groz Part #	Ordering #	Threads	For use with Model Series
BSP		NPT			
* A2P11	60670	A2P15	60672	1/8"	For use with Miniature - F13, FS13, L13, R13, FRC13
A2P01	60660	A2P04	60665	1/4"	For use with Miniature - F13, FS13, L13, R13, FRC13
* A2P12	60671	A2P16	60673	1/4"	For use with Intermediate - F14, FS14, L14, R14, FRC14
A2P02	60661	A2P05	60666	3/8"	For use with Intermediate - F14, FS14, L14, R14, FRC14
A2P03	60662	A2P06	60667	1/2"	For use with Standard - F15, FS15, L15, R15, FRC15
A2P07	60663	A2P09	60668	3/4"	For use with Heavy Duty - F17, FS17, L17, R17, FRC17
A2P08	60664	A2P10	60669	1"	For use with Heavy Duty - F17, FS17, L17, R17, FRC18

\* New

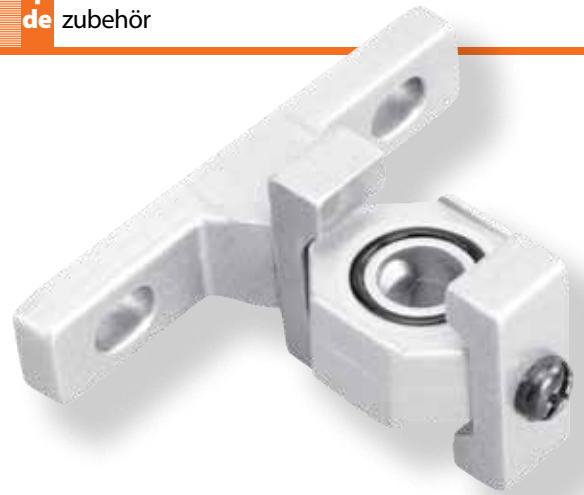


## WALL MOUNTING BRACKET

Wall Mounting Bracket is a special type of Spacer Block which is "T" shaped & has holes to mount on the wall. These connect 2 components in modular assemblies & make them wall mountable.

Aluminum Die Cast these have sealing rings fitted into them on both sides. The sealing rings make a leak proof connection, without the need to have a threaded fitment

Groz Part #	Ordering #	For use with Model Series
A2W01	60640	Miniature - F13, FS13, L13, R13, FRC13
A2W02	60641	Intermediate - F14, FS14, L14, R14, FRC14
A2W03	60642	Standard - F15, FS15, L15, R15, FRC15
A2W04	60643	Heavy Duty - F17, FS17, L17, R17, FRC17



## WALL MOUNTING BRACKET WITH PORT FOR AIR OUTLET

**NEW!**

Installed before the lubricator.

This allows taking out non lubricated air where required

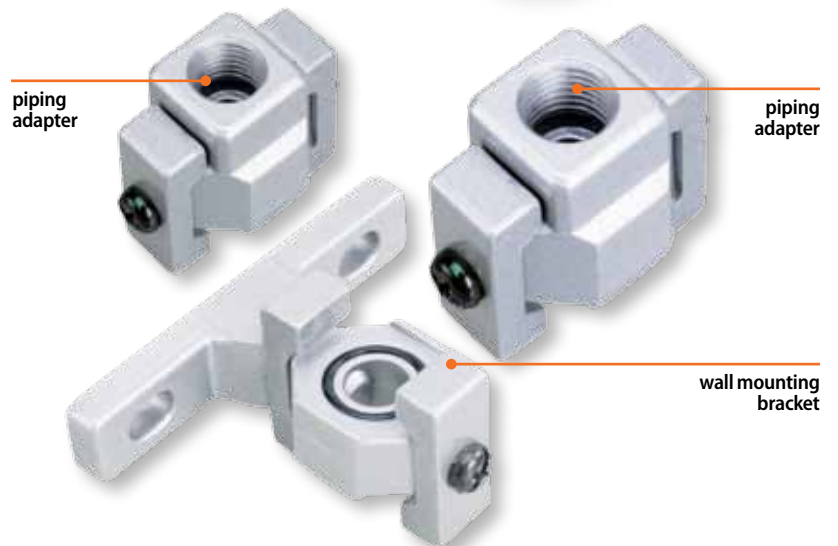
Groz Part #	Ordering #	For use with Model Series
A2V01	60657	Miniature - F13, FS13, L13, R13, FRC13
A2V02	60658	Intermediate - F14, FS14, L14, R14, FRC14
A2V03	60659	Standard - F15, FS15, L15, R15, FRC15



## KIT FOR MODULAR CONSTRUCTION

For Modular construction from individual components, order accessories as given below

Combination Type	Nr. Of Wall Mounting Brackets	Nr. Of Piping Adapters
2 pc Filter Regulator Combination-Lubricator (FRCLM)	1	2
3 pc Filter-Regulator-Lubricator Combination (FRLM)	2	2





## MOUNTING CLAMP FOR INDIVIDUAL FILTERS & LUBRICATORS

These are steel clamps in powder coated finish, used to mount individual Filters & Lubricators. Both Filter & Lubricator units have threaded holes on the head casting into which the clamp fits

Groz Part #	Ordering #	For use with Model Series
A2C31	60610	Miniature - F13, FS13, L13
A2C32	60611	Intermediate - F14, FS14, L14
A2C33	60612	Standard - F15, FS15, L15
A2C34	60613	Heavy Duty - F17, FS17, L17



## MOUNTING CLAMP FOR REGULATORS & FILTER REGULATOR COMBINATIONS

These clamps are made out of steel in powder coated finish. The clamp has a hole into which the regulator fits in & is secured by the nut provided in the Regulator itself

Groz Part #	Ordering #	For use with Model Series
A2C01	60600	Miniature - R13, FRC13
A2C02	60601	Intermediate - R14, FRC14
A2C03	60602	Standard - R15, FRC15
A2C04	60603	Heavy Duty - R17, FRC17



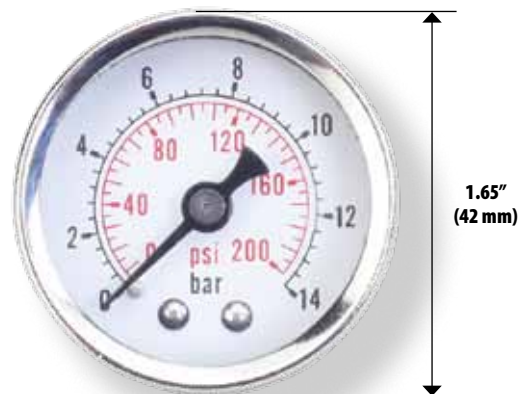
## PRESSURE GAUGES

For use with Regulators for setting Output Pressure. These are graduated both in BARS & PSI with a max. Reading of 200PSI/14 BAR. Pressure Gauge is graduated in intervals of 5 PSI/0.20 BAR and is accurate to within 5%

These have male threads on the centre back & fit female threads on the Regulator

Gauge has a steel casing with clear glass lens and internal components made from Brass

Groz Part #	Ordering #	Groz Part #	Ordering #	Threads	For use with Model Series
BSPT		NPT			
A2G02	60630	A2G05	60635	1/8"	Miniature, Intermediate & Standard
A2G08	60631	A2G14	60636	1/4"	Heavy Duty



## AUTO DRAIN VALVE- EXTERNAL

As a standard, all Groz Filters have a Manual Drain valve fitted on them. This however can be changed with an Automatic Drain Valve, fitted external to the bowl

The Auto Drain Valve drains the condensate water automatically. In addition to automatic draining, there is also provision in the valve for manual drain off

Unlike an electrical Auto Drain valve, these float type auto Drain Valve operates only when the condensate is collected & drains only the condensate.



Groz Part #	Ordering #	For use with Model Series
A2D01	60620	Miniature- F13, FS13
A2D02	60621	Intermediate- F14, FS14
A2D03	60622	Standard - F15, FS15
A2D04	60623	Heavy Duty - F17, FS17

## REPLACEMENT SINTERED BRONZE FILTER ELEMENTS



Groz Part #	Ordering #	Description	Filter rating in Microns	Fits
F582002	60680	Miniature	40	F13, FRC13, FRCLM13 & FLLM13 Series
F582022	60681	Intermediate	40	F14, FRCLM14 & FRLM14 Series
F582025	60682	Intermediate	40	FRC14 Series
F582042	60683	Standard	40	F15, FRC15, FRCLM15 & FRLM15 Series
F582051	60684	Heavy Duty	40	F17, FRC17, FRCLM17 & FRLM17 Series
F582000	60685	Miniature	5	F13, FRC13, FRCLM13 & FLLM13 Series
F582020	60686	Intermediate	5	F14, FRCLM14 & FRLM14 Series
F582026	60687	Intermediate	5	FRC14 Series
F582040	60688	Standard	5	F15, FRC15, FRCLM15 & FRLM15 Series
F582049	60689	Heavy Duty	5	F17, FRC17, FRCLM17 & FRLM17 Series



# 15 Air Line Accessories - Air Blow Guns

fr soufflettes progressives  
sp pistola de soplado  
de luft-schlag-gewehr



Operating Pressure  
50-150 PSI (3.5-10 BAR)



Operating Temperature  
-10 to 70°C (14-158°F)



OSHA STD 1-13.1  
for Safety

High Quality, Industrial use Air Blow gun with gun body made from Polyacetal (POM)

Non Corroding Aluminum nozzle

4-1/2" (114 mm) long nozzle to access hard to reach areas

Brass threaded Air Inlet ensures that threads do not shear with repeated use

Variable speed trigger for full control of amount of air dispensed

Silent operation

Confirms to OSHA STD 1-13.1 for safety



Groz Part #	Ordering #	Threads	Noise Level at 100 PSI	Blowing Force at 100 PSI		Air Consumption at 100 PSI
				kgs	lbs	
ABG/30/1-4F/BSP	61080	1/4" BSP (F)	80 db	0.472	1.0	19.06 CFM
ABG/30/1-4F/N	61090	1/4" NPT (F)	80 db	0.472	1.0	19.06 CFM

# 16 Air Line Accessories - Air Blow Guns Professional

fr pistolet de soufflage professionnelle  
sp pistola de aire profesional  
de luft blasen gun professionelle

## ABG1

Air Blow Gun

## ABG2

Safety Air Blow Gun  
with Snub Nose  
Rubber Tip

## ABG3

Safety Air Blow Gun  
with Stainless Steel  
Nozzle

## ABG4

Safety Air Blow Gun with  
Stainless Steel Nozzle &  
Polyurethane Silencer



Factory Tested



Operating Pressure  
50-235 PSI (3.5-16 BAR)



Operating Temperature  
-10 to 70°C (14-158°F)



Valid for  
ABG2, ABG3 & ABG4

Impact & Weather resistant Nylon Body  
Corrosion resistant Stainless Steel Nozzle & parts

Drop Resistant construction  
Handle with Soft rubber grip for convenience in continuous use

Ergonomic design of the gun helps eliminate the risk of Carpel Tunnel Syndrome

Brass threaded Air Inlet ensures that threads do not shear with repeated use  
Variable speed trigger for full control of amount of air dispensed  
Silent operation with noise level under 80 db. Confirms to OSHA STD 1910-95 (b) for max. noise level when used with air with 6 BAR (90 PSI) pressure

Max. Blowing Force with minimal air consumption reduces energy cost, saving money each time the gun is used

Confirms to OSHA STD 1-13.1 for safety & are classified as safety Blow guns\*  
\*Except ABG/1

### STANDARD configuration



### ACCESSORIES available



**PS/ABG/3  
61050**  
4" (100mm) dia Protective shield  
for ABG/3 series Air Blow Guns



**NZL/RT1/ABG/3  
61053**  
Rubber Tip 1/2" (12.7 mm)  
for blowing out lines



**NZL/RT2/ABG/3  
61054**  
Rubber Tip 1" (25 mm)  
for blowing out lines



**NZL/RT3/ABG/3  
61055**  
Rubber Tip 1-3/8" (35 mm)  
for blowing out lines



**NZL/SIL/ABG/3  
61051**  
Silencer Nozzle with  
Soft Rubber Tip



**NZL/VEN/ABG/3  
61052**  
Venturi Nozzle for Turbo  
Charging Output

Groz Part #	Ordering #	Groz Part #	Ordering #	Noise Level at 100 PSI*	Blowing Force at 100 PSI		Air Consumption at 100 PSI
					kgs	lbs.	
BSP THREADS		NPT THREADS					
<b>STANDARD REACH</b>							
ABG/1/1-4F/BSP	61000	ABG/1/1-4F/N	61010	77db	0.26	0.57	9.53 CFM
ABG/2/1-4F/BSP	61001	ABG/2/1-4F/N	61011	77db	0.38	0.83	15.89 CFM
ABG/3/1-4F/BSP	61002	ABG/3/1-4F/N	61012	80 db	0.35	0.76	15.18 CFM
ABG/4/1-4F/BSP	61003	ABG/4/1-4F/N	61013	75 db	0.31	0.68	13.42 CFM

**\*Examples of decibel levels and related noises**

- 82-90 db : Manual Machine Tool, Hand Saw
- 91-95 db : Electric Drill
- 96-104 db : Factory Machinery
- 100-107 db : Snow Blower
- 125 - 127 db : Chain Saw



Groz Part #	Ordering #	Groz Part #	Ordering #	Noise Level at 100 PSI*	Blowing Force at 100 PSI		Air Consumption at 100 PSI
					kgs	lbs.	
<b>BSP THREADS</b>		<b>NPT THREADS</b>					
<b>EXTENDED REACH</b>							
◆ ABG/3A/1-4F/BSP	61020	ABG/3A/1-4F/N	61030	80db	0.32	0.70	15.26 CFM
◆ ABG/3B/1-4F/BSP	61021	ABG/3B/1-4F/N	61031	77db	0.26	0.57	12.46 CFM
◆ ABG/3C/1-4F/BSP	61022	ABG/3C/1-4F/N	61032	74db	0.21	0.47	9.96 CFM

◆ Made to Order

# 17 Air Line Accessories - 7 Piece Air Blow Gun Kit

fr jeu de 7 pièces pistolet de soufflage  
sp juego de pistola de aire - 7 piezas  
de 7 stück luftblasen gun set



Factory Tested



Operating Pressure  
50-235 PSI (3.5-16 BAR)



Operating Temperature  
-10-70°C (14-158°F)



OSHA STD 1-13.1  
for Safety

## World's # 1 Professional Air Blow Gun with 6 Interchangeable accessories for unlimited shop applications!

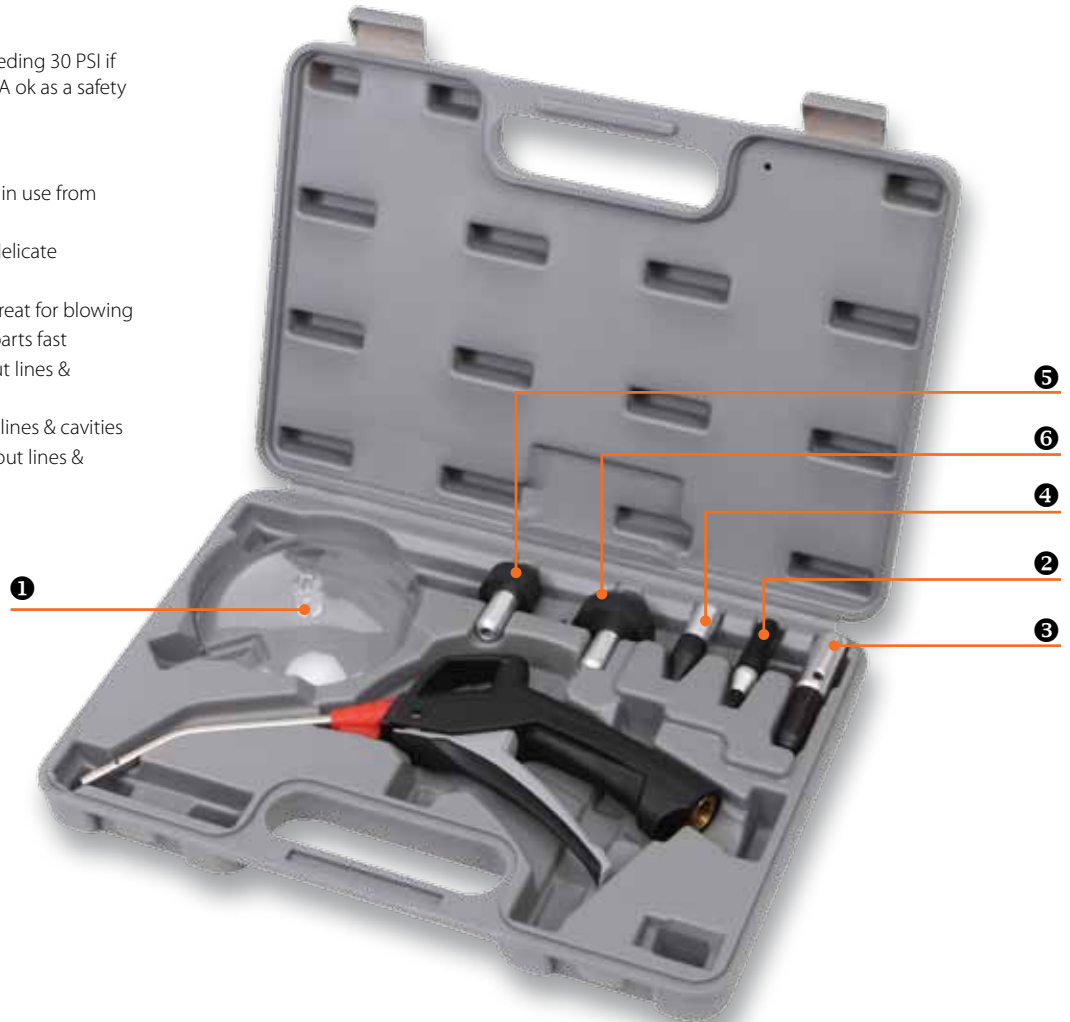
Air Blow Gun (ABG/3) has an Impact Resistant Nylon Body with threaded 1/4" (F) Brass Inlet & Rust proof 4-1/2" (114 mm) Stainless Steel Nozzle.

Gun has a soft rubber grip & allows full control on the amount of air blowing out. Silent operation with Noise level under 80 db, the gun is OSHA ok for noise.

Vent in the tip prevents pressure from exceeding 30 PSI if tip becomes blocked, making the gun OSHA ok as a safety Blow gun

### Interchangeable accessories include:

- ① 4" (100 mm) Protective Shield for safety in use from flying chips etc.
- ② Soft Rubber Star Tip Nozzle for use on delicate materials
- ③ Venturi Nozzle turbo charges output. Great for blowing out bondo dust, drying off & washing parts fast
- ④ 1/2" (12.7 mm) Rubber Tip for blowing out lines & cavities
- ⑤ 1" (25 mm) Rubber Tip for blowing out lines & cavities
- ⑥ 1-3/8" (35 mm) Rubber tip for blowing out lines & cavities



Groz Part #	Ordering #	Inlet Threads
KIT/ABG3/7ST/BSP	61070	1/4" BSP (F)
KIT/ABG3/7ST/N	61075	1/4" NPT (F)

# 18 Air Line Accessories - Air Coupler & Nipple

fr air coupleur & nipple  
sp coplador de aire y engrasador  
de luft koppler & nippel



250 PSI (17 BAR)

For instantaneous coupling of grease guns, impact wrenches, paint sprayers & other air operated equipment

Positive action locking mechanism ensures that coupler cannot be detached accidentally

Unique Coupler design allows coupler & nipple to be joined together without the need to pull back sleeve

Extra large air passage ensures greater air flow

Automatic air check valve shuts off air instantly when uncoupled, providing leak proof seal

Extra long stem of AN/1-4/N nipple & coupler body assures long service life & easy connections under severe operating conditions

Heavy Duty Steel construction

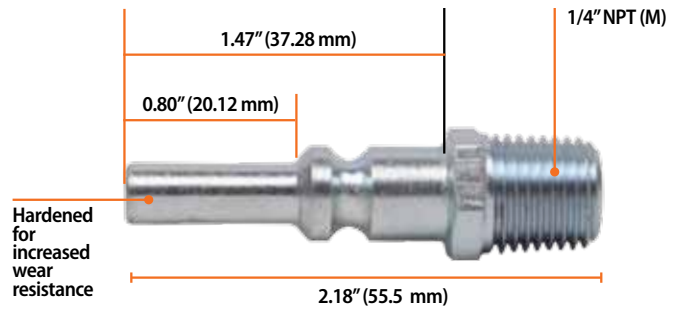
Threaded 1/4" NPT

Max. Operating Pressure : 250 PSI (17 BAR)

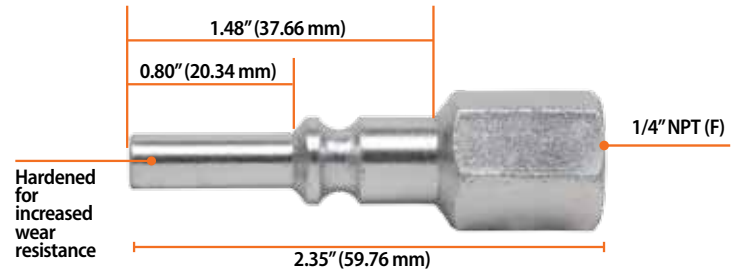
## AIR COUPLER - QCA/1-4F/N



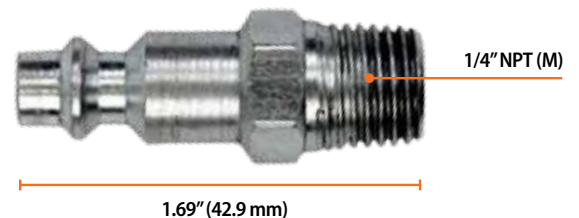
## MALE NIPPLE FOR AIR COUPLER - AN/1-4/N



## FEMALE NIPPLE FOR AIR COUPLER - AN/1-4F/N



## UNIVERSAL AIR NIPPLE - IV/PGG



Groz Part #	Ordering #	Type	Threads
QCA/1-4F/N	60700	Air Coupler	1/4" NPT (F)
AN/1-4/N	60701	Nipple for Air Coupler	1/4" NPT (M)
AN/1-4F/N	60705	Nipple for Air Coupler	1/4" NPT (F)
IV/PGG	60702	Universal Nipple	1/4" NPT (M)

# 19 Air Line Accessories - Air Line Fittings

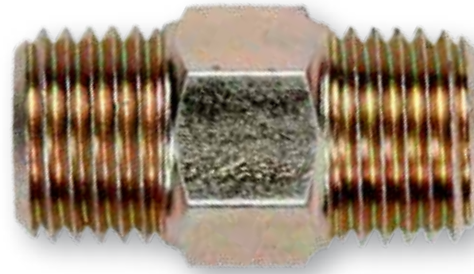
fr raccords air line  
sp accesorios de línea aérea  
de luftlinie fittings



All Steel Construction

Used to connect Air Control Units to Air Inlet port on equipment

Threaded 1/4" (M) x 1/4" (M)



< NPL/RP/N



< NPL/KP71/K63

Groz Part #	Ordering #	Threads
NPL/KP71/K63	60704	1/4" BSP (M)
NPL/RP/N	60703	1/4" NPT (M)

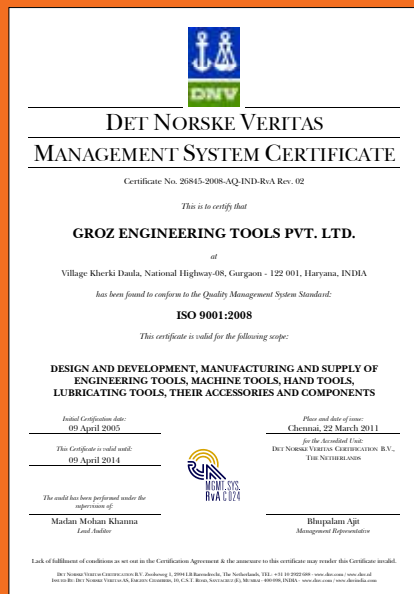
## Certifications

### ISO 9001:2008

The familiar three standards ISO 9001, ISO 9002 and ISO 9003 have been integrated into the new ISO 9001:2008.

The norms that are followed are:

- Customer Focus
- Leadership
- Involvement of People
- Process Approach
- System Approach
- Continual Improvement
- Fact based Decision-making
- Mutually beneficial Customer - Supplier Relationships



### ISO 14001: 2004

Groz is fully committed to protecting the environment and we are continually looking for new ways to improve it. Our aim is to prevent pollution, reduce emissions, promote recycling and hence cut down on waste. We manage our activities to achieve all of this through our EMS certified to the ISO 14001: 2004 environment management system.



	Page		Page
<b>Regulators</b>	<b>2</b>	<b>Frl Accessories</b>	<b>21-24</b>
<b>Filters</b>	<b>4-7</b>	Spacer	21
Air Filters	4	Spacer with Port for Air Outlet	21
Air Filters – Metal Bowl	5	Piping Adapters	21
Coalescing Filters	6	Wall Mounting Bracket	22
<b>Lubricators</b>	<b>8-9</b>	Wall Mounting Bracket with Port for Air Outlet	22
Air Lubricators	8	Kit for Modular Construction	22
Air Lubricators – Metal Bowl	9	Mounting Clamp for Individual Filters & Lubricators	23
<b>Combinations</b>	<b>10-19</b>	Mounting Clamp for Regulators & Filter Regulator Combinations	23
Filter Regulator Combination	10	Pressure Gauges	23
Filter Regulator Combination – Metal Bowl	11	Auto Drain Valve	23
Filter – Regulator & Lubricator – 2pc	12	Replacement Sintered Bronze Filter Element	24
Filter – Regulator & Lubricator – 2pc – Metal Bowl	14	<b>Air Line Accessories</b>	<b>25-30</b>
Filter – Regulator – Lubricator – 3 pc	16	Air Blow Guns	25
Filter – Regulator – Lubricator – 3 pc – Metal Bowl	18	Air Blow Guns Professional	26
<b>Automatic Line Drain</b>	<b>20</b>	7 Piece Air Blow Gun Kit	28
		Air Coupler	29
		Air Nipple	29
		Air Line Fittings	30



## OHSAS 18001:2007

Health and Safety of the workforce is a prime responsibility of the company and the management takes pride in providing the best working environment, formulating and implementing health and safety policies that make for a happy workplace. All policies are continually monitored, reviewed and updated and all our systems are traceable to OHSAS 18001:2007



# Standard Packaging

Groz Part #		Page #	Description	Net Wt. each (Kgs)	Nr. of pcs per Master carton
BSP Threads	NPT Threads				
<b>Air Regulators</b>					
R13604	R13904	2	Miniature	0.160	150
R13614	R13914	2	Miniature	0.160	150
R14614	R14914	2	Intermediate	0.440	40
R14624	R14924	2	Intermediate	0.440	40
R15634	R15934	2	Standard	0.900	40
R17644	R17944	2	Heavy Duty	1.46	20
R17654	R17954	2	Heavy Duty	1.46	20

<b>Air Filters</b>					
F13603-S	F13903-S	4	Miniature	0.220	100
F13613-S	F13913-S	4	Miniature	0.220	100
F14613-S	F14913-S	4	Intermediate	0.360	60
F14623-S	F14923-S	4	Intermediate	0.360	60
F15633-S	F15933-S	4	Standard	0.640	30
F17643-S	F17943-S	4	Heavy Duty	1.500	20
F17653-S	F17953-S	4	Heavy Duty	1.500	20

<b>Air Filters - Metal Bowl</b>					
F13613-MS	F13913-MS	5	Miniature	0.200	60
F14613-MS	F14913-MS	5	Intermediate	0.480	60
F14623-MS	F14923-MS	5	Intermediate	0.480	60
F15633-MS	F15933-MS	5	Standard	0.940	30
F17643-MS	F17943-MS	5	Heavy Duty	2.150	20
F17653-MS	F17953-MS	5	Heavy Duty	2.150	20

<b>Coalescing Filters (0.10 microns)</b>					
FS13603-S	FS13903-S	6	Miniature	0.320	100
FS13613-S	FS13913-S	6	Miniature	0.220	100
FS14613-S	FS14913-S	6	Intermediate	0.360	60
FS14623-S	FS14923-S	6	Intermediate	0.360	60
FS15633-S	FS15933-S	6	Standard	0.640	30

<b>Coalescing Filters (0.01 microns)</b>					
FS13602-S	FS13902-S	7	Miniature	0.220	100
FS13612-S	FS13912-S	7	Miniature	0.220	100
FS14612-S	FS14912-S	7	Intermediate	0.360	60
FS14622-S	FS14922-S	7	Intermediate	0.360	60
FS15632-S	FS15932-S	7	Standard	0.640	30
FS17642-S	FS17942-S	7	Heavy Duty	1.500	20
FS17652-S	FS17952-S	7	Heavy Duty	1.500	20

Groz Part #		Page #	Description	Net Wt. each (Kgs)	Nr. of pcs per Master carton
BSP Threads	NPT Threads				
<b>Air Lubricators</b>					
L1360	L1390	8	Miniature	0.220	100
L1361	L1391	8	Miniature	0.220	100
L1461	L1491	8	Intermediate	0.340	60
L1462	L1492	8	Intermediate	0.340	60
L1563	L1593	8	Standard	0.640	30
L1764	L1794	8	Heavy Duty	1.480	20
L1765	L1795	8	Heavy Duty	1.480	20

<b>Air Lubricators - Metal Bowl</b>					
L1361-M	L1391-M	9	Miniature	0.200	100
L1461-M	L1491-M	9	Intermediate	0.480	40
L1462-M	L1492-M	9	Intermediate	0.480	40
L1563-M	L1593-M	9	Standard	0.900	30
L1764-M	L1794-M	9	Heavy Duty	2.150	15
L1765-M	L1795-M	9	Heavy Duty	2.150	15

<b>Filter Regulator Combination</b>					
FRC136034-S	FRC139034-S	10	Miniature	0.320	60
FRC136134-S	FRC139134-S	10	Miniature	0.320	60
FRC146134-S	FRC149134-S	10	Intermediate	0.640	40
FRC146234-S	FRC149234-S	10	Intermediate	0.640	40
FRC156334-S	FRC159334-S	10	Standard	1.360	20
FRC176434-S	FRC179434-S	10	Heavy Duty	2.340	10
FRC176534-S	FRC179534-S	10	Heavy Duty	2.340	10

<b>Filter Regulator Combination - Metal Bowl</b>					
FRC136134-MS	FRC139134-MS	11	Miniature	0.320	40
FRC146134-MS	FRC149134-MS	11	Intermediate	0.760	40
FRC146234-MS	FRC149234-MS	11	Intermediate	0.760	40
FRC156334-MS	FRC159334-MS	11	Standard	1.640	15
FRC176434-MS	FRC179434-MS	11	Heavy Duty	2.380	10
FRC176534-MS	FRC179534-MS	11	Heavy Duty	2.380	10

<b>Filter - Regulator &amp; Lubricator - 2 piece</b>					
FRCLM136134-S	FRCLM139134-S	12	Miniature	0.740	40
FRCLM146134-S	FRCLM149134-S	12	Intermediate	1.340	20
FRCLM146234-S	FRCLM149234-S	12	Intermediate	1.340	20
FRCLM156334-S	FRCLM159334-S	12	Standard	2.500	10
FRCLM176434-S	FRCLM179434-S	12	Heavy Duty	4.520	4
FRCLM176534-S	FRCLM179534-S	12	Heavy Duty	4.520	4

Groz Part #		Page #	Description	Net Wt. each (Kgs)	Nr. of pcs per Master carton
BSP Threads	NPT Threads				
<b>Filter - Regulator &amp; Lubricator - 2 piece, Metal Bowl</b>					
FRCLM136134-MS	FRCLM139134-MS	14	Miniature	0.680	30
FRCLM146134-MS	FRCLM149134-MS	14	Intermediate	1.400	10
FRCLM146234-MS	FRCLM149234-MS	14	Intermediate	1.400	10
FRCLM156334-MS	FRCLM159334-MS	14	Standard	2.700	10
FRCLM176434-MS	FRCLM179434-MS	14	Heavy Duty	4.950	4
FRCLM176534-MS	FRCLM179534-MS	14	Heavy Duty	4.950	4
<b>Filter-Regulator-Lubricator - 3 piece</b>					
FRLM136134-S	FRLM139134-S	16	Miniature	0.820	30
FRLM146134-S	FRLM149134-S	16	Intermediate	1.540	15
FRLM146234-S	FRLM149234-S	16	intermediate	1.540	15
FRLM156334-S	FRLM159334-S	16	Standard	2.900	10
FRLM176434-S	FRLM179434-S	16	Heavy Duty	5.580	5
FRLM176534-S	FRLM179534-S	16	Heavy Duty	5.580	5
<b>Filter-Regulator-Lubricator - 3 piece, Metal Bowl</b>					
FRLM136134-MS	FRLM139134-MS	18	Miniature	0.840	30
FRLM146134-MS	FRLM149134-MS	18	Intermediate	1.380	10
FRLM146234-MS	FRLM149234-MS	18	Intermediate	1.380	10
FRLM156334-MS	FRLM159334-MS	18	Standard	2.420	6
FRLM176434-MS	FRLM179434-MS	18	Heavy Duty	5.750	5
FRLM176534-MS	FRLM179534-MS	18	Heavy Duty	5.750	5
<b>Automatic Line Drain</b>					
NL161	NL191	20		0.260	60
<b>Air Blow Guns</b>					
ABG/30/1-4F/BSP	ABG/30/1-4F/N	25		0.100	60
<b>Air Blow Guns Professional</b>					
ABG/1/1-4F/BSP	ABG/1/1-4F/N	26		0.120	120
ABG/2/1-4F/BSP	ABG/2/1-4F/N	26		0.120	120
ABG/3/1-4F/BSP	ABG/3/1-4F/N	26		0.140	60
ABG/4/1-4F/BSP	ABG/4/1-4F/N	26		0.140	60
<b>Air Blow Guns Extended Reach</b>					
ABG/3A/1-4F/BSP	ABG/3A/1-4F/N	27		0.165	60
ABG/3B/1-4F/BSP	ABG/3B/1-4F/N	27		0.185	60
ABG/3C/1-4F/BSP	ABG/3C/1-4F/N	27		0.255	60
<b>7 Piece Air Blow Gun Kit</b>					
KIT/ABG3/7ST/BSP	KIT/ABG3/7ST/N	28		0.642	38



[www.groz-tools.com](http://www.groz-tools.com)  
[info@groz-tools.com](mailto:info@groz-tools.com)

© Groz Engineering Tools (P) Ltd., 2008  
The Groz name, symbol and logo are registered trademarks

Whilst every effort has been made to ensure accuracy of information given in this catalogue at the time of going to print, July 2012, our policy of continuous improvement determines the right to change specifications without notice. Customers must ensure that goods are suitable for the purpose intended.

Imperial dimensions shown as equivalent to metric sizes are approximate and vice versa.



Groz Engineering Tools (P) Ltd.  
Groz Net Industries

Village Kherki Daula, National Highway-8  
Gurgaon-122001, Haryana, INDIA  
TEL +91.124.282.7700 / 221.4050  
FAX +91.124.2827986 / 221.4224  
FAX (USA) +1.509.271.7848  
FAX (UK) +44.870.121.1854

E-MAIL [info@groz-tools.com](mailto:info@groz-tools.com)  
URL [www.groz-tools.com](http://www.groz-tools.com)

The GROZ name, GROZ logo and the  mark are  
trademarks of Groz Engineering Tools (P) Ltd., India